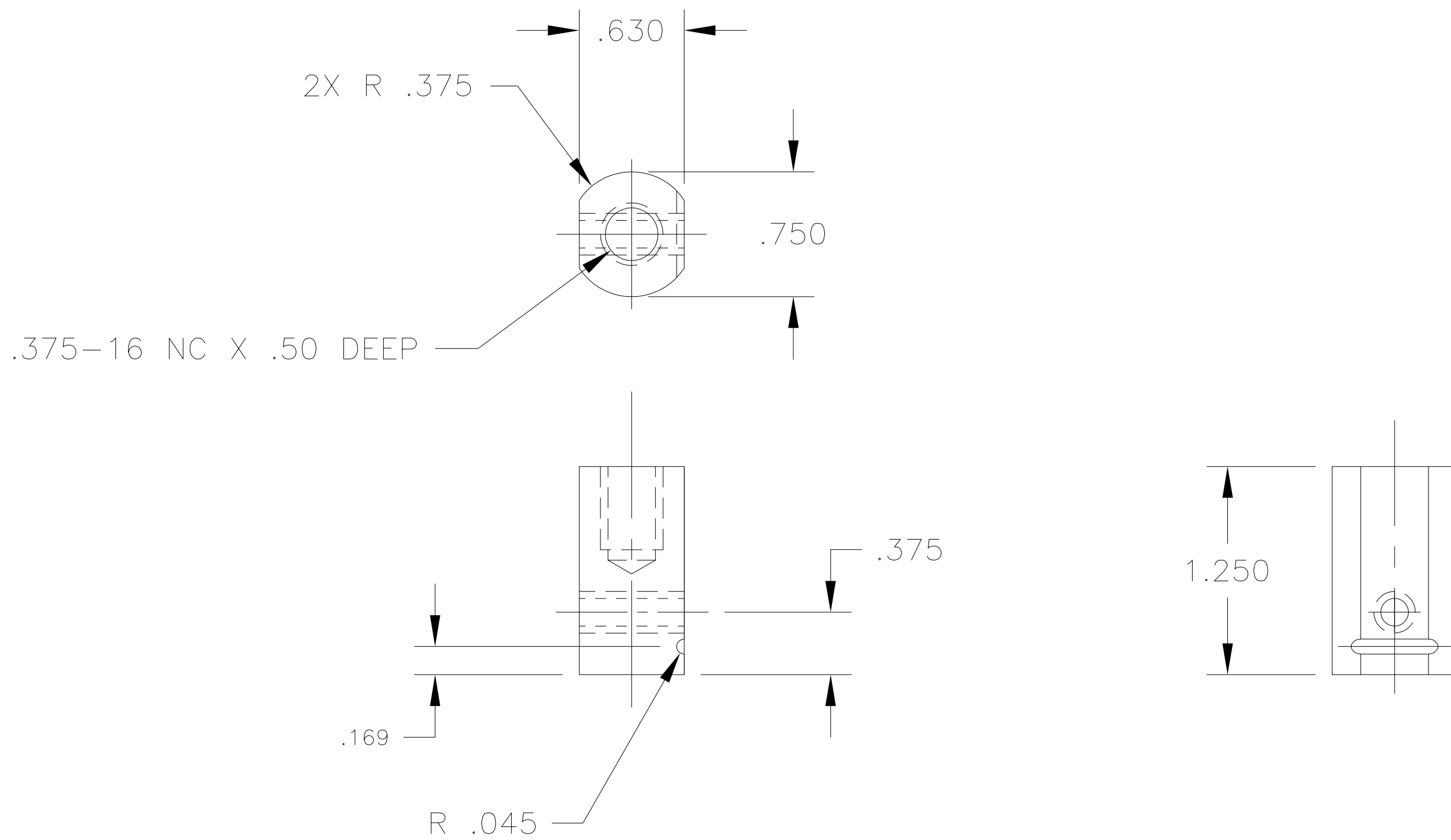


- NOTES: UNLESS OTHERWISE SPECIFIED
1. REMOVE ALL BURRS AND SHARP EDGES .03.
  2. MACHINED SURFACE ROUGHNESS 125 ✓
  3. MATERIAL:  $\phi$ .750 X 1.250 OFHC COPPER ROD.  
ADD STOCK FOR MACHINING AS REQUIRED.

REVISIONS					
LTR	DESCRIPTION	ECR	DATE	BY	APRV



TOLERANCES UNLESS OTHERWISE NOTED  
 DECIMALS FRACTIONS ANGULAR  
 .XX ± .03 ± 1/32 ± 0°30'  
 .XXX ± .010

NATIONAL OPTICAL ASTRONOMY OBSERVATORIES  
 OPERATED BY THE  
 ASSOCIATION OF UNIVERSITIES FOR RESEARCH IN ASTRONOMY  
 UNDER COOPERATIVE AGREEMENT WITH  
 NATIONAL SCIENCE FOUNDATION

NEXT ASSEMBLY 2107.0006154C 2107.0006159B	NAME <b>FILAMENT CLAMP</b>				REF FILE 8384
SCALE FULL	DESIGNED BY	DATE	APPROVED BY	DATE	DWG NO 2107.0006155B
ISSUED	DRAWN BY A.J. GERZOFF	DATE 93-11-11	APPROVED BY	DATE	REV
	CHECKED BY	DATE	APPROVED BY	DATE	RELEASED
					SHEET 1 OF 1