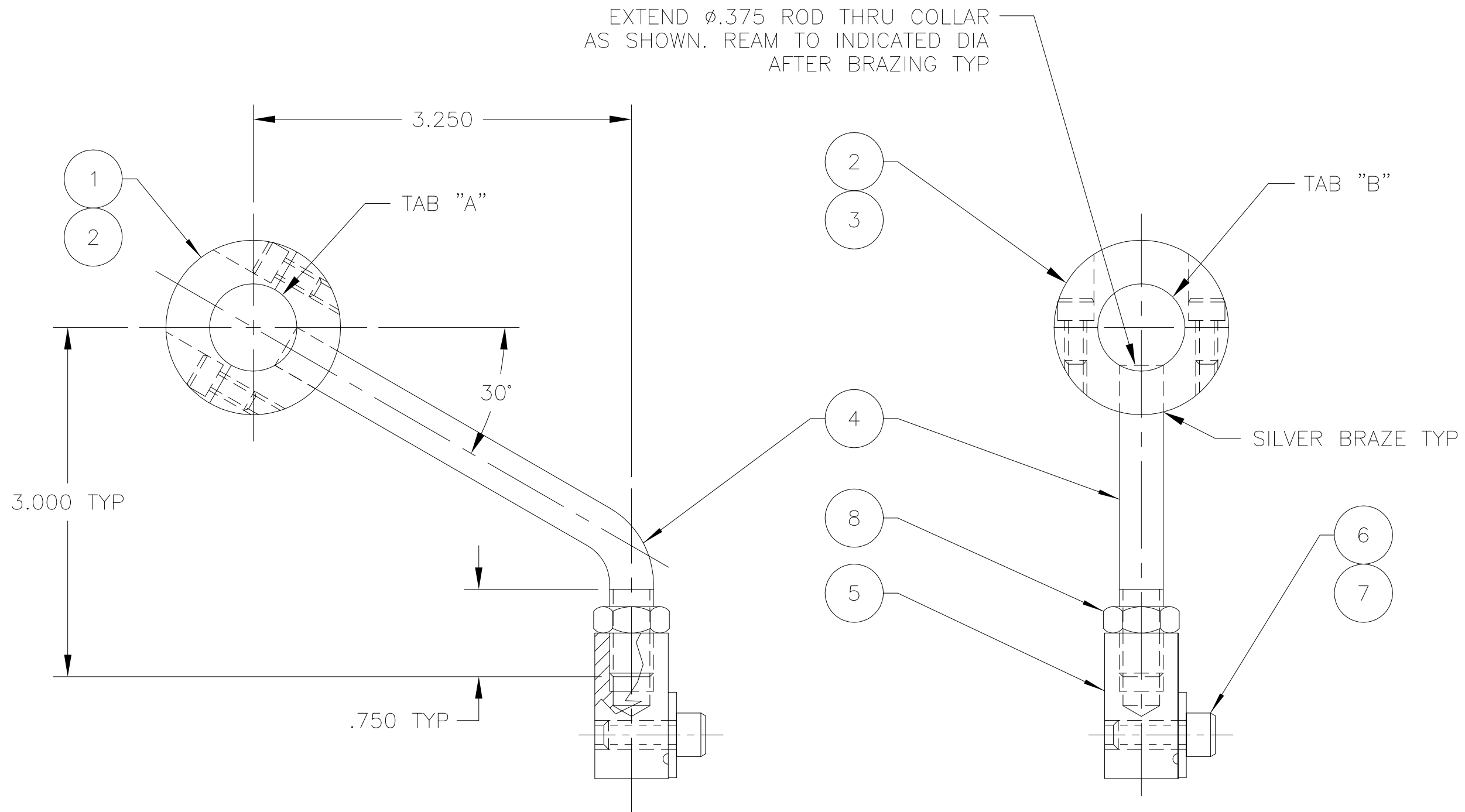


- NOTES: UNLESS OTHERWISE SPECIFIED  
 1. REMOVE ALL BURRS AND SHARP EDGES .03.  
 2. MACHINED SURFACE ROUGHNESS 125 ✓

REVISIONS						
ZONE	LTR	DESCRIPTION	ECR	DATE	BY	APRV



TAB	DIA.	QUANT. REQD.
A	1.250	64
A	.875	32
B	.875	64
B	.750	32

	A/R		NUT, .375-16 NC STL JAM		8
	A/R		WASHER, .25 FLAT STEEL		7
	A/R		SHCS, .250-20 NC X .625 STEEL		6
192	2107.0006155B		FILAMENT CLAMP, ø.750 X 1.250 OFHC COPPER		5
	A/R		POST, ø.375 OFHC COPPER		4
32	2SC75		COLLAR, 2 PC	BOSTON GEAR	3
96	2SC87		COLLAR, 2 PC	BOSTON GEAR	2
64	2SC125		COLLAR, 2 PC	BOSTON GEAR	1

QTY REQD	PART OR IDENTIFYING NO	DESCRIPTION	MATERIAL/SPECIFICATION	ZONE	ITEM NO
TOLERANCES UNLESS OTHERWISE NOTED		NATIONAL OPTICAL ASTRONOMY OBSERVATORIES			
DECIMALS		OPERATED BY THE			
.XX ± .03		ASSOCIATION OF UNIVERSITIES FOR RESEARCH IN ASTRONOMY			
FRACTIONS		UNDER COOPERATIVE AGREEMENT WITH			
.XXX ± .010		NATIONAL SCIENCE FOUNDATION			
ANGULAR					
± 0°30'					
NEXT ASSEMBLY		NAME		REF FILE	
E10393P-31		FILAMENT POST		8384	
				USED ON	
SCALE: FULL		DESIGNED BY	DATE	APPROVED BY	DATE
PRINT ISSUED		DRAWN BY	DATE	APPROVED BY	DATE
		A.J. GERZOFF	93-11-05		
		CHECKED BY	DATE	APPROVED BY	DATE
DWG NO				REV	
2107.0006154C					
RELEASED				SHEET 1 OF 1	