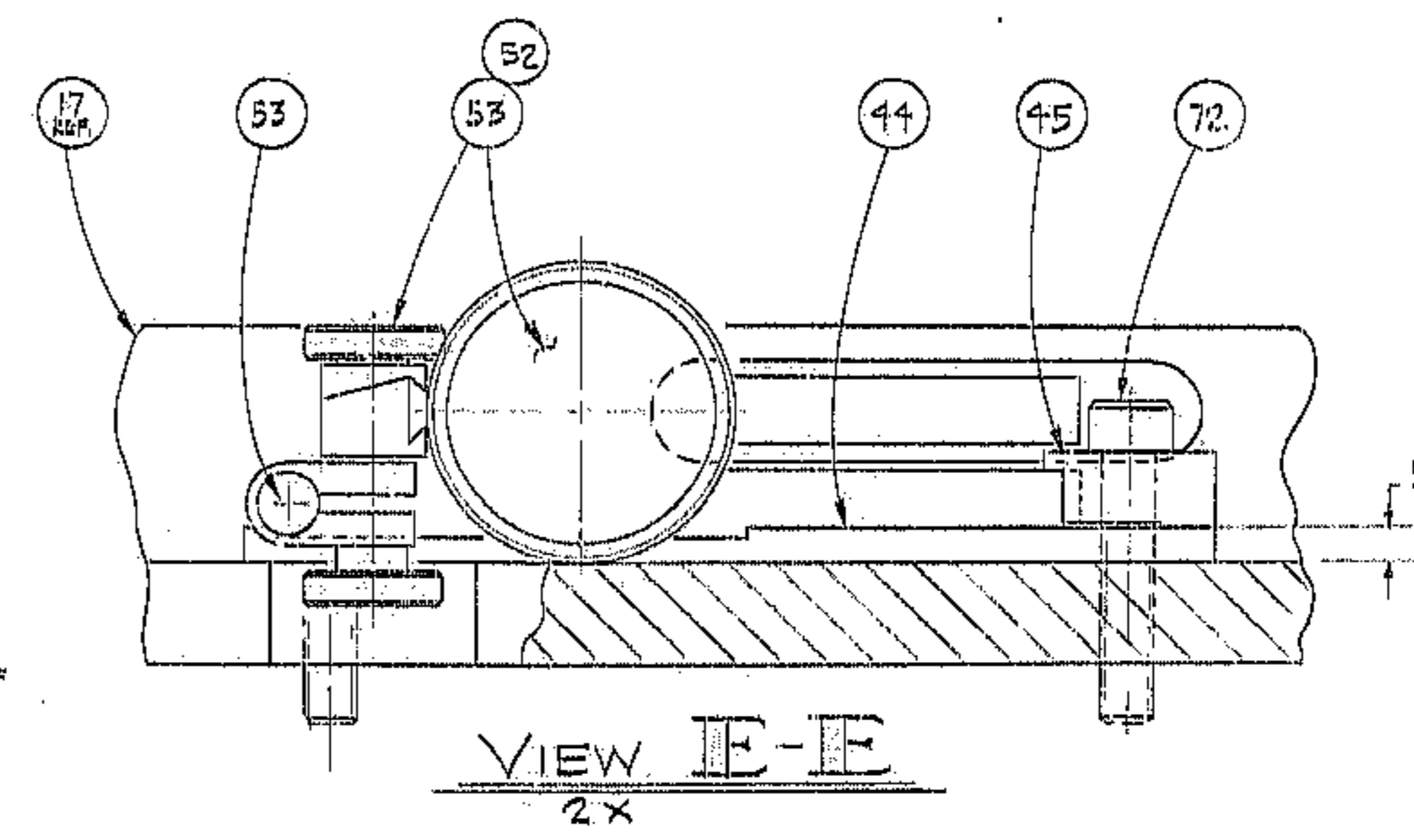
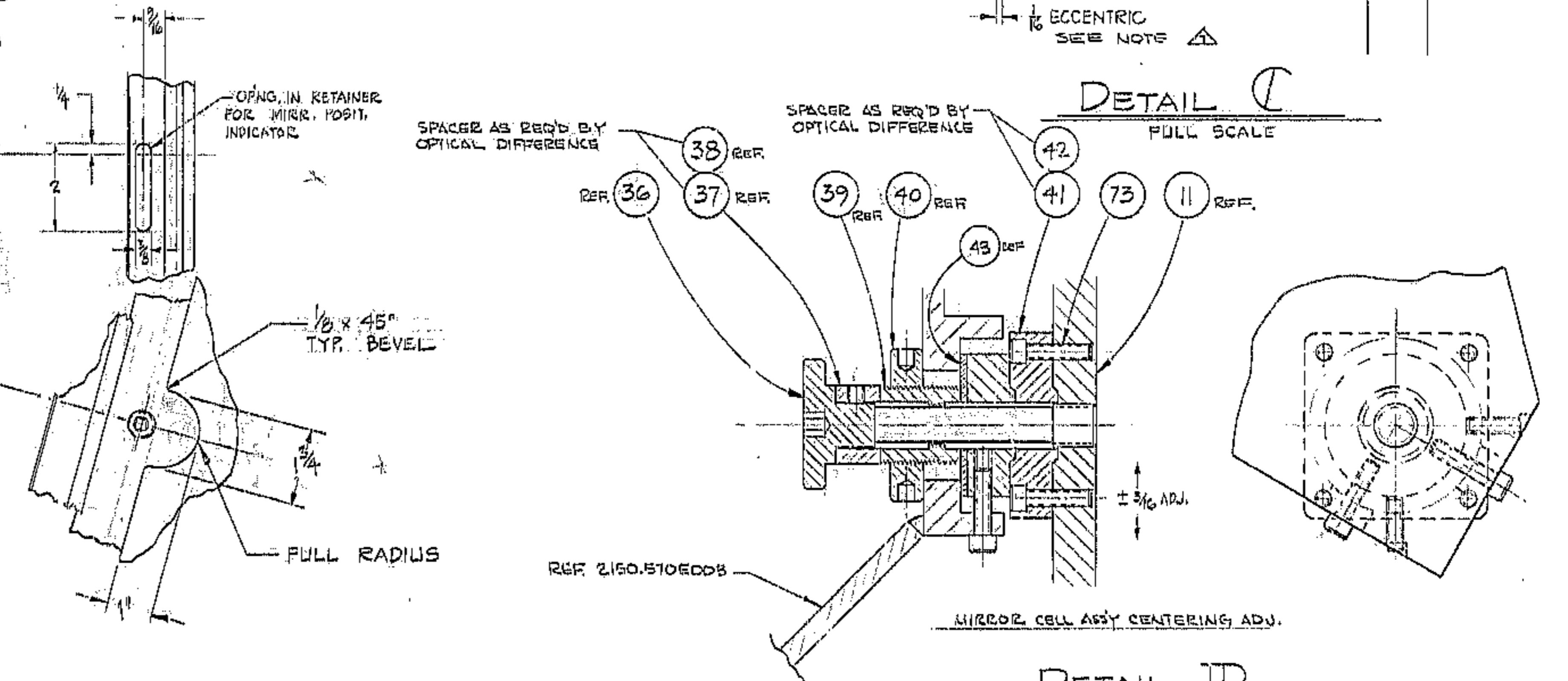
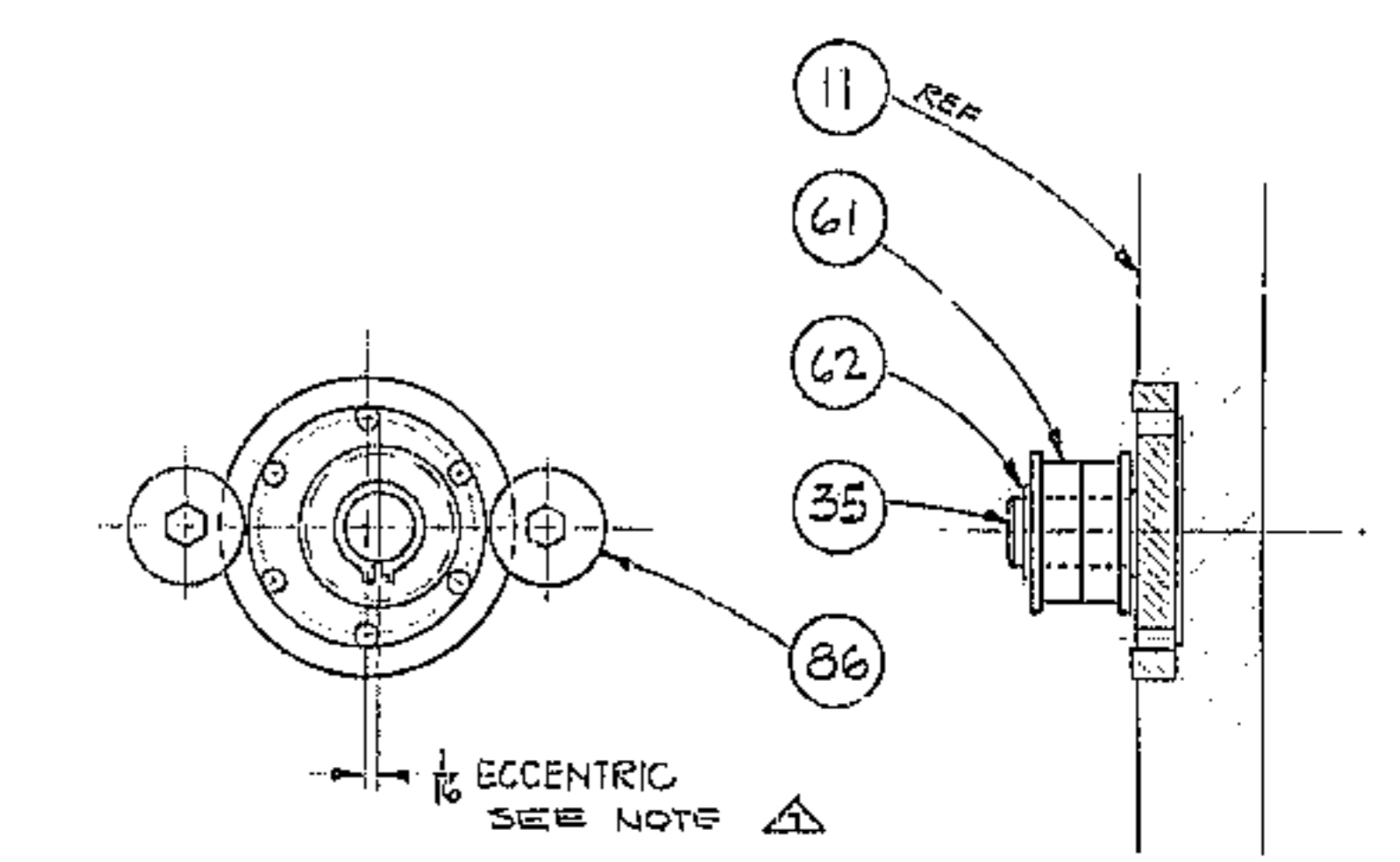
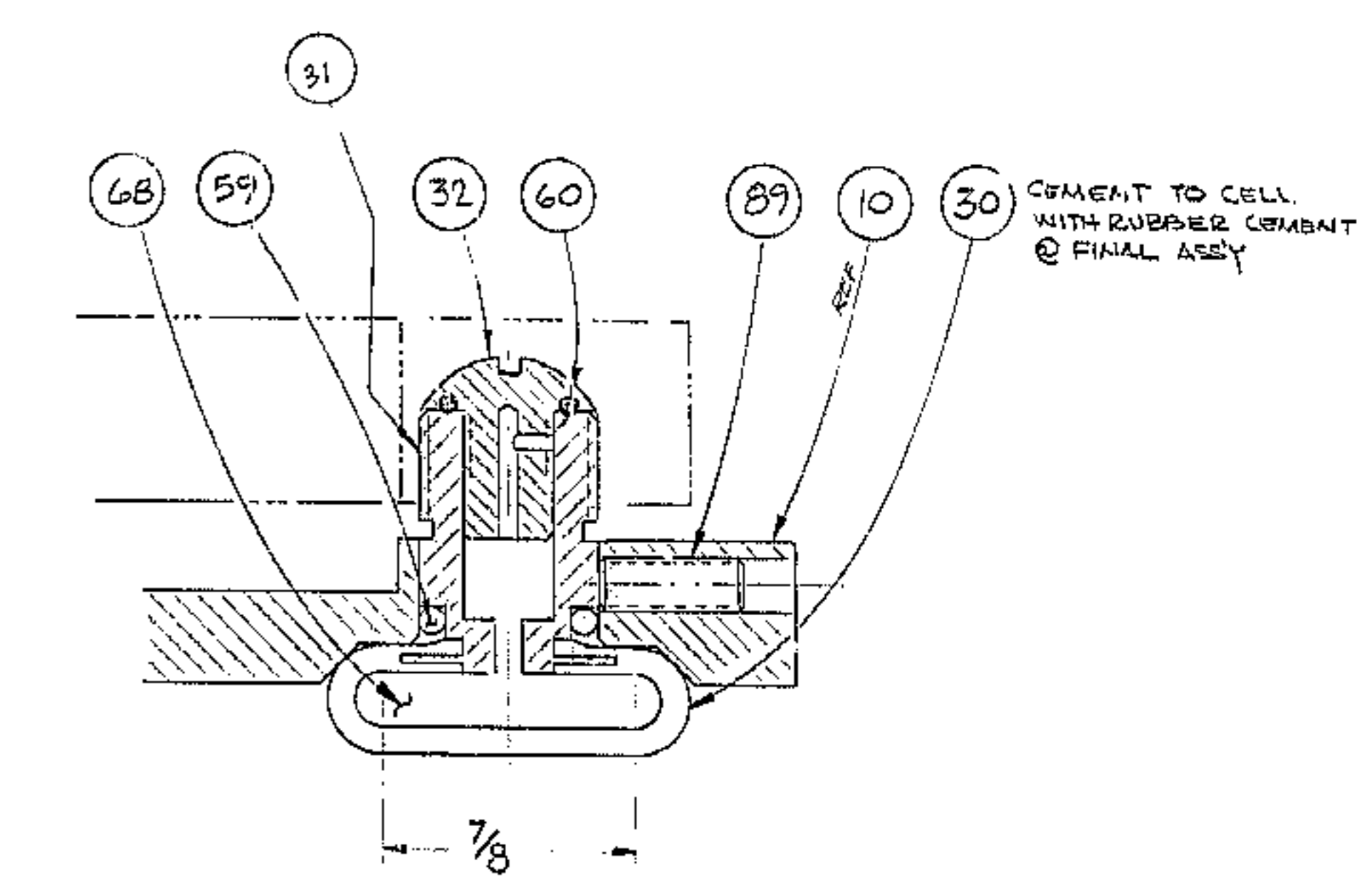
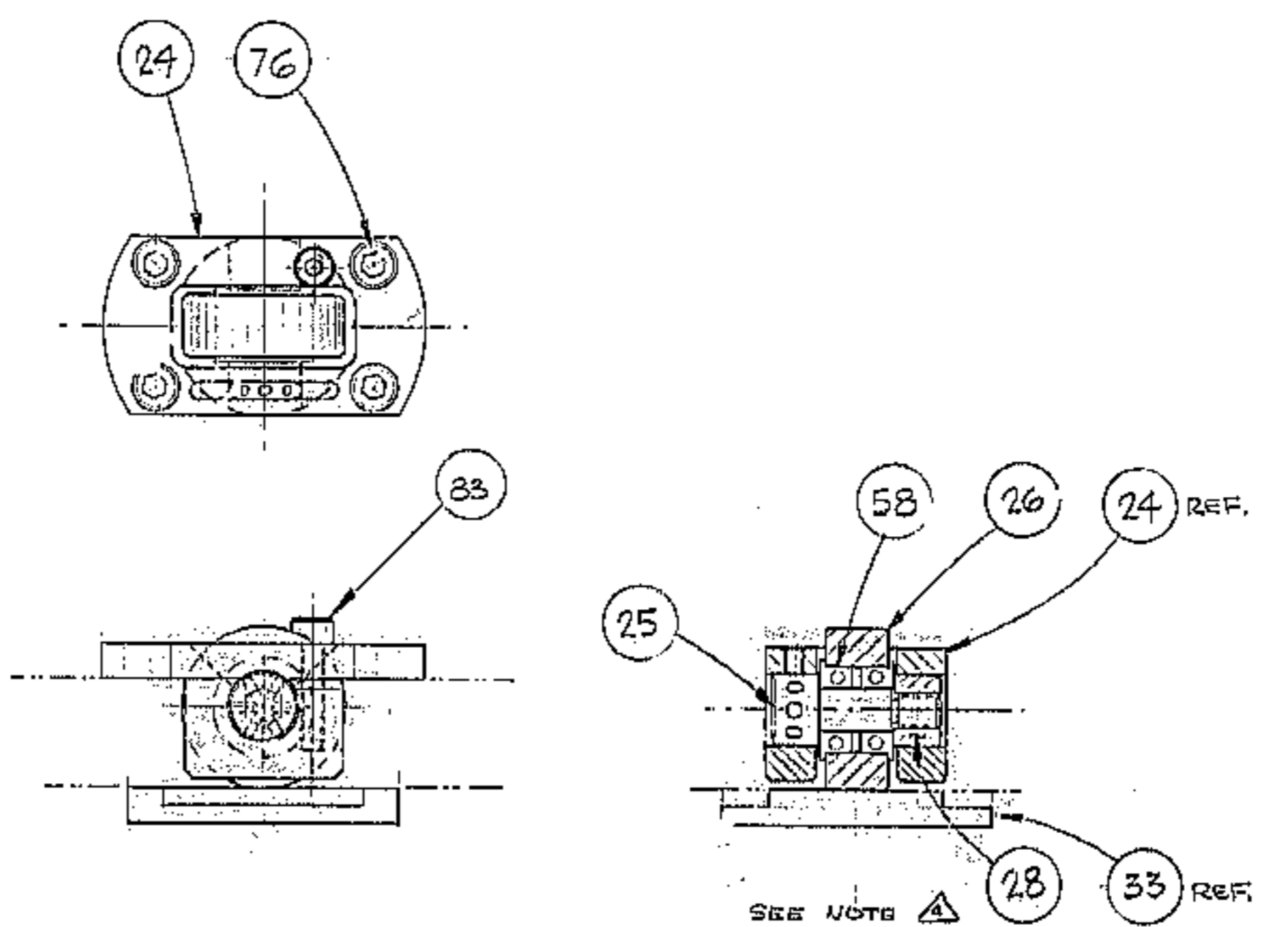
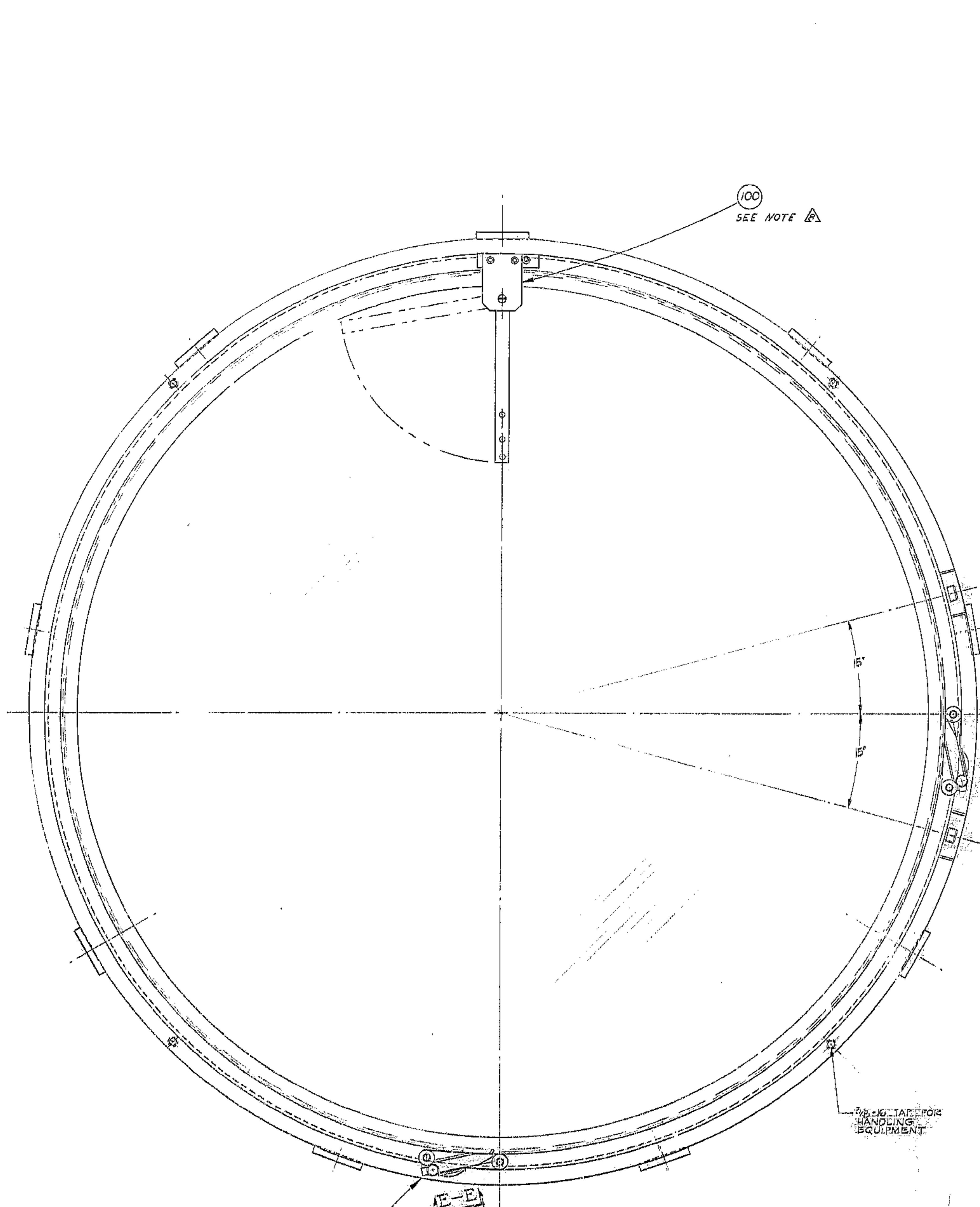


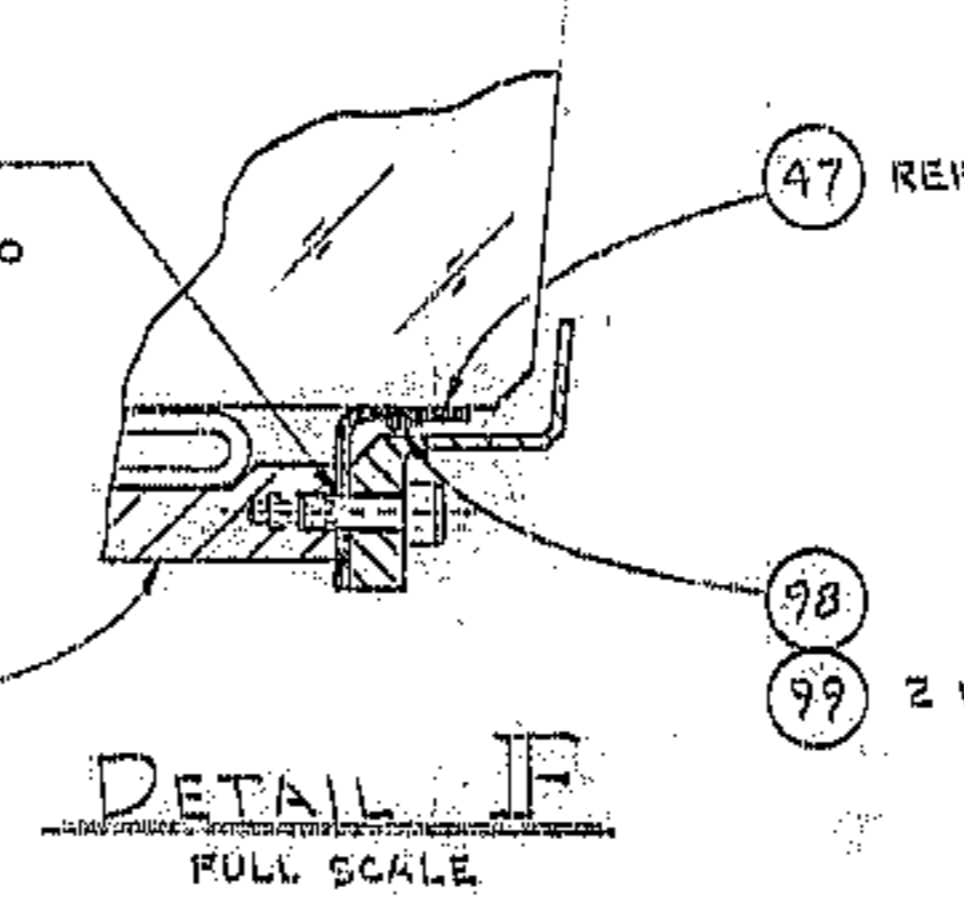
BILL OF MATERIAL				QUANTITIES NOTED DO NOT INCLUDE STOCK ALLOWANCE FOR MACHINING AND CUTTING OFF EXCEPT AS NOTED. THE SPECIFIER IS RESPONSIBLE FOR THE MATERIAL REQUIRED FOR ONE PIECE ONLY. QUANTITIES NOTED ARE THE TOTAL NUMBER REQUIRED.	
ITEM	QTY.	DESCRIPTION	MATERIAL	WEIGHT	



MIRROR POSITION INDICATOR TO BE MOUNTED AS SHOWN WHEN CHECKING MERCURY LEVEL; REMOVE BEFORE IMBETTING THIS ASSEMBLY IN SECONDARY CAGE

PLAN VIEW OF MIRROR  
HALF SIZE

.220 DIA - 16 HOLES IN ITEM 47 LOC. FROM ITEM 10



FOR ASSEMBLY SEE 2150.0004972 E				TOLERANCES UNLESS OTHERWISE NOTED	
DECIMAL DIMS.	±.0005	FRACTIONAL DIMENSIONS UP TO 1/8" ±.001	1/8" TO 1/2" ±.002	1/2" & OVER ±.005	
BREAK DIMENSIONS: ALL DIMENSIONS TO HAVE 1/4" MINIMUM UNLESS OTHERWISE NOTED.				KITT PEAK NATIONAL OBSERVATORY ASSOCIATION OF UNIVERSITIES FOR RESEARCH IN ASTRONOMY, INC. UNDER CONTRACT WITH NATIONAL SCIENCE FOUNDATION	
NAME: X/12 MIRROR CELL & SUPP ASSY				SCALE NOTED: PRINT ISSUED	
DESIGNED BY	DATE	APPROVED BY	DATE	DRAWING NUMBER	REV.
BY				2150.581-E002	D
QUANT.	PRINT RECORD	DATE	NO.	BOLLER: 4 CHIVENS DATA: JCB 58070 N/A E-30228 E-30954 SHEET 2 OF 2	