

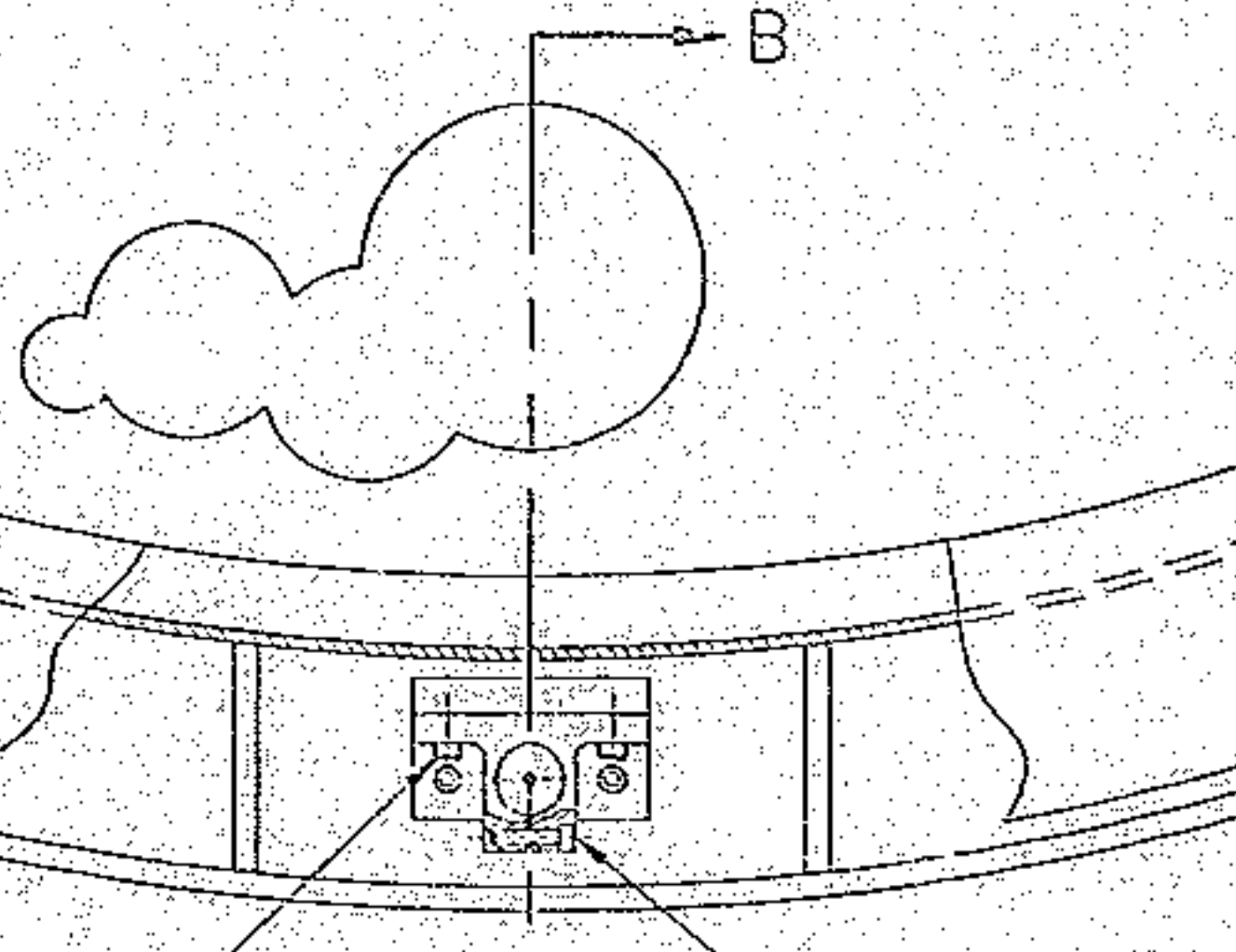
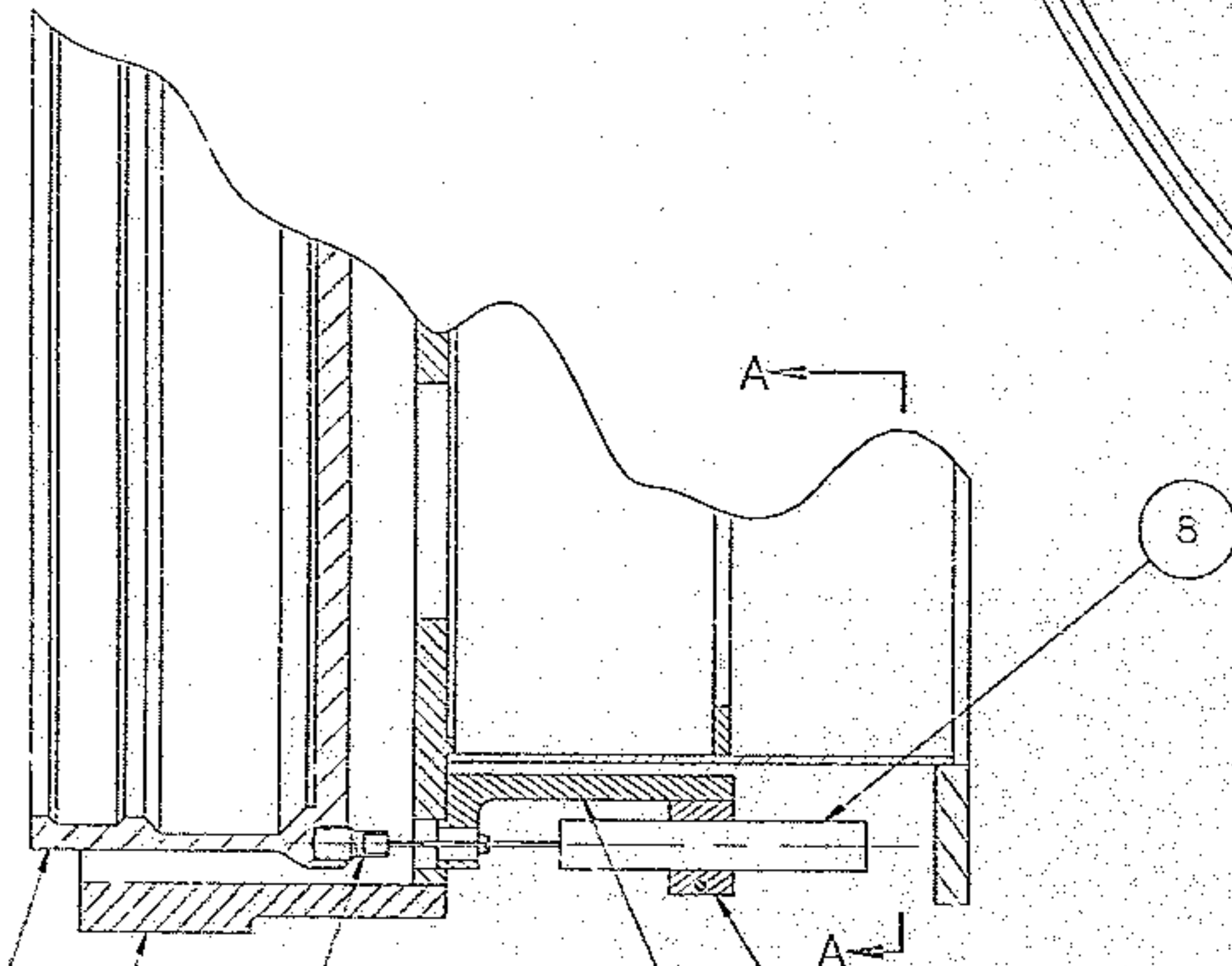
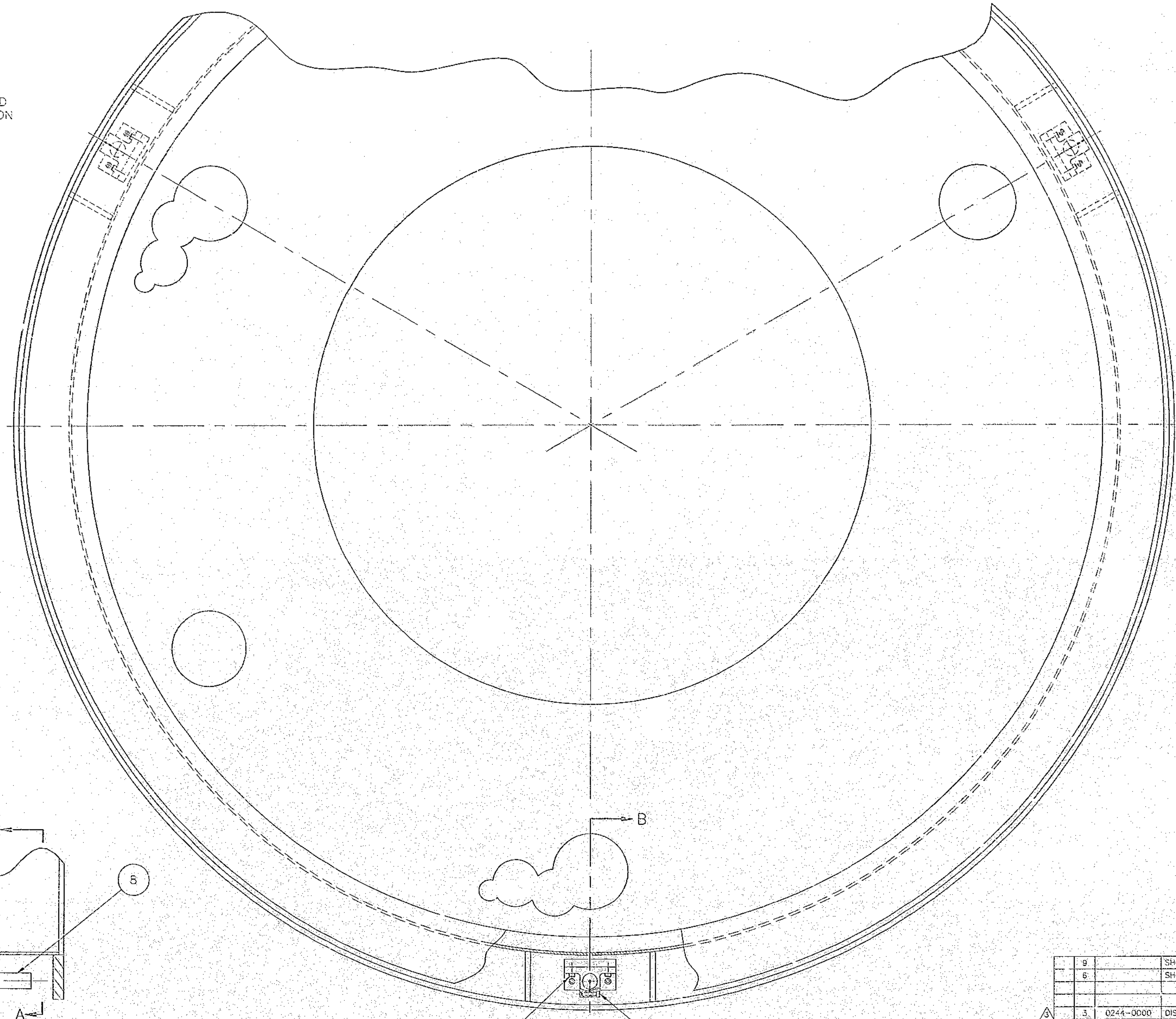
NOTES: UNLESS OTHERWISE SPECIFIED

1. REMOVE ALL BURRS AND SHARP EDGES .03.
2. MACHINED SURFACE ROUGHNESS 125 ✓

△ PURCHASE FROM:  
 TRANS-TEK INC.  
 P.O. BOX 338, ROUTE 83  
 ELLINGTON, CT 06029  
 (860) 872-8351 FAX: (860) 872-4211

4. CAUTION: COMPLETE DISASSEMBLY IS REQUIRED PRIOR TO MACHINING TO AVOID CHIP RETENTION IN CRITICAL ASSEMBLY AREAS.

REVISIONS				
ZONE	LEN	ADVISORS	CHK	DATE



9	SHCS. #8-32 UNC X .75 LG ST STL	A7	12
6	SHCS. #8-32 UNC X .63 LG ST STL	AS	11
			10
			9
3	0244-0000 DISPLACEMENT TRANSDUCER DC-DC SERIES 240	C6	8
			7
			6
3	2150.580-A016 STJD	A8	5
3	2150.580-B024 CLAMP	AZ	4
3	2150.580-C025 BRACKET	A7	3
1	2150.580-E011 MIRROR CELL	AS	2
1	2150.580-E010 MIRROR CELL SUPPORT	AS	1

NATIONAL OPTICAL ASTRONOMY OBSERVATORIES  
 OPERATED BY THE  
 ASSOCIATION OF UNIVERSITIES FOR RESEARCH IN ASTRONOMY  
 UNDER COORDINATE AGREEMENT WITH  
 NATIONAL SCIENCE FOUNDATION

NEXT ASSEMBLY: 2150.580-E002  
 NAME: DISPLACEMENT TRANSDUCER #8 SECONDARY ASSY  
 REF FILE: 1198  
 USED ON: 4M TELE

SCALE: 1/2" = 1" NOTED  
 DESIGNED BY: A.J. PERZDOTT 84-01-23  
 DRAWN BY: A.J. PERZDOTT 84-01-23  
 CHECKED BY: A.J. PERZDOTT 84-01-23  
 DATE: 84-01-23

PART NO: 2150.580-E009