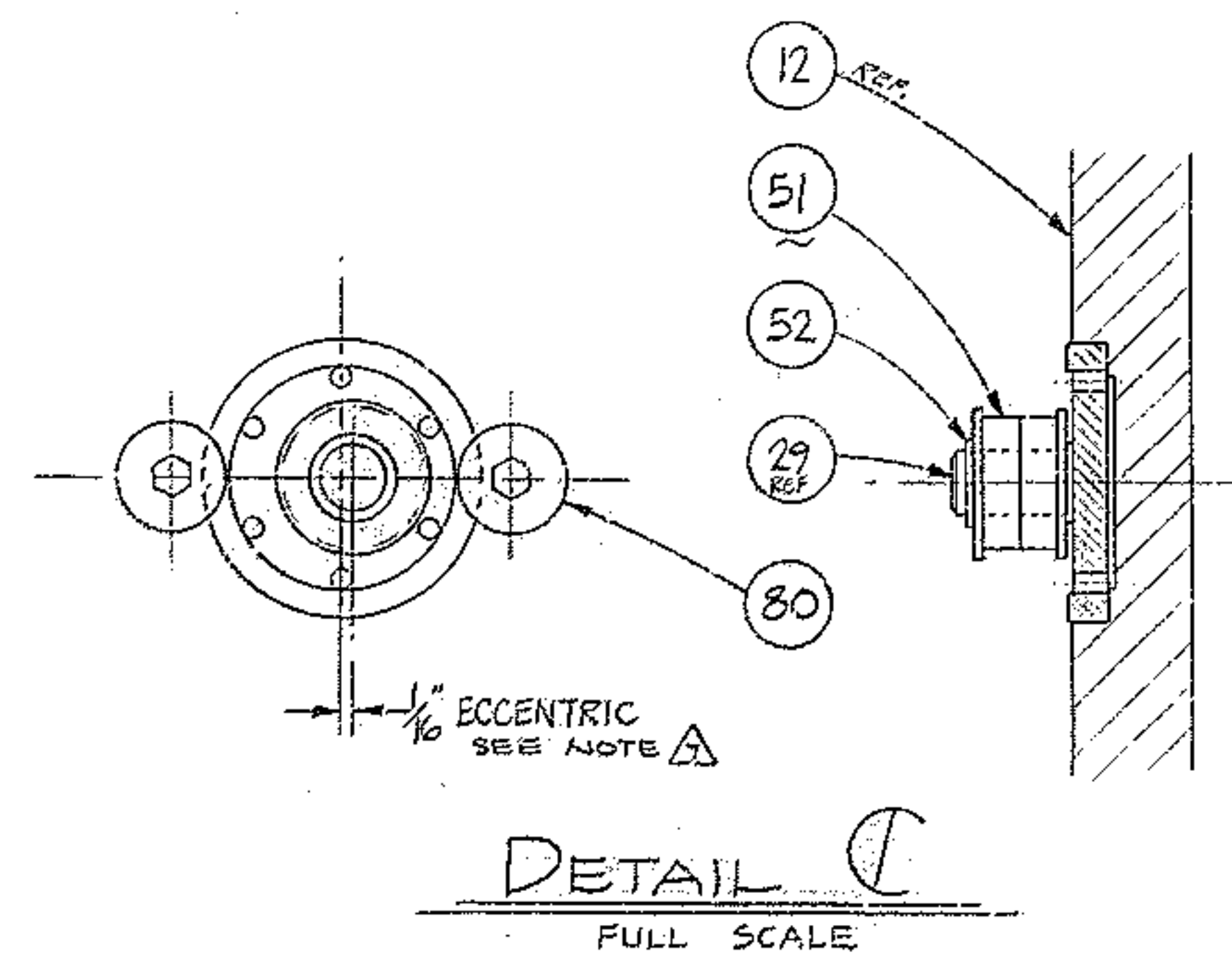
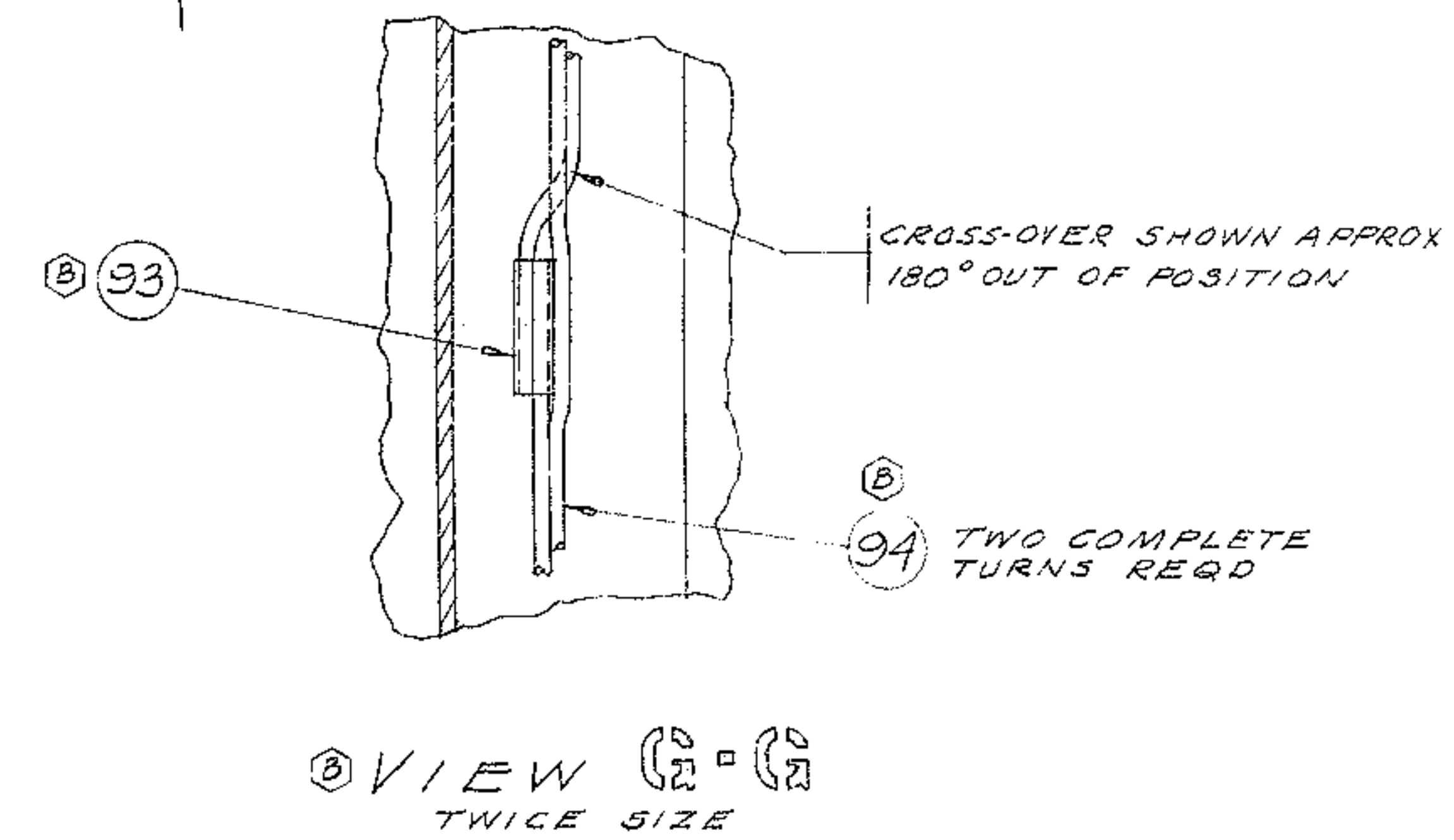
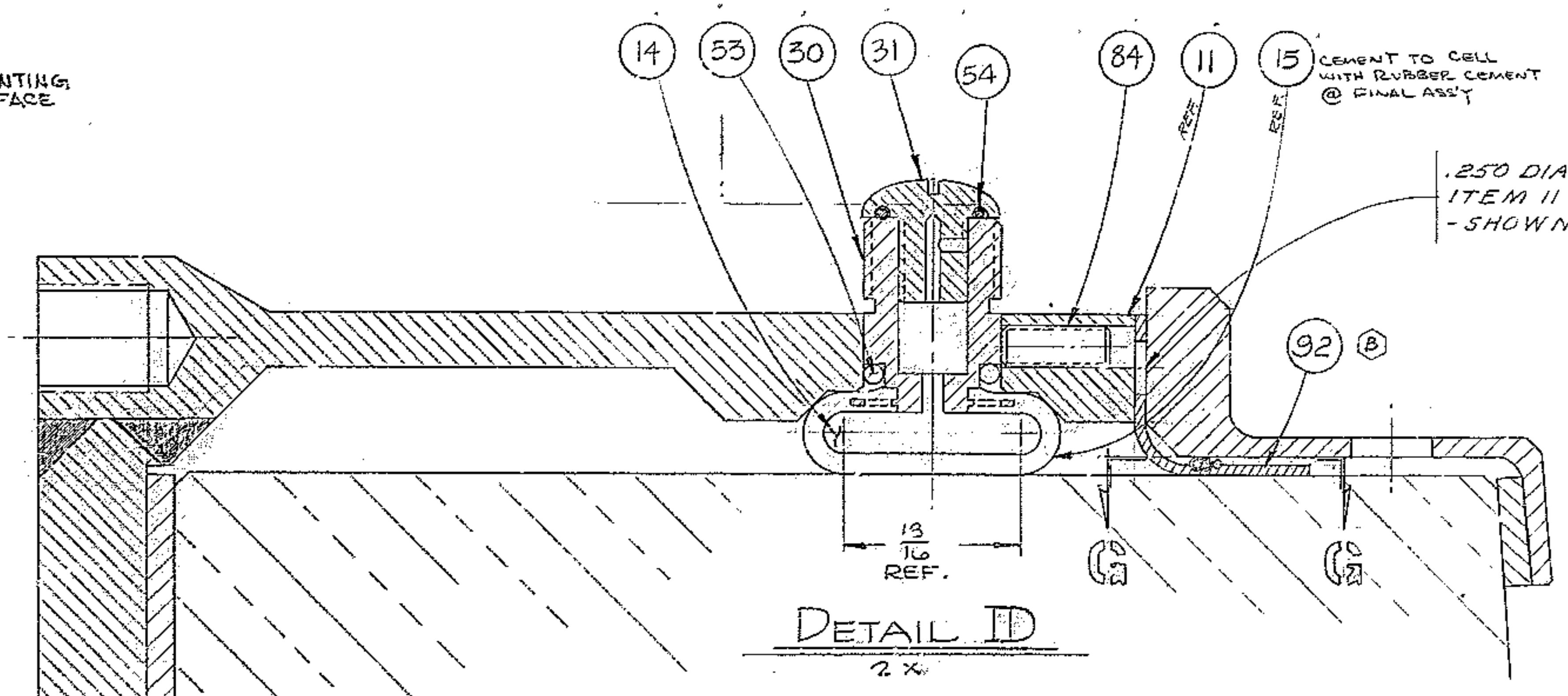
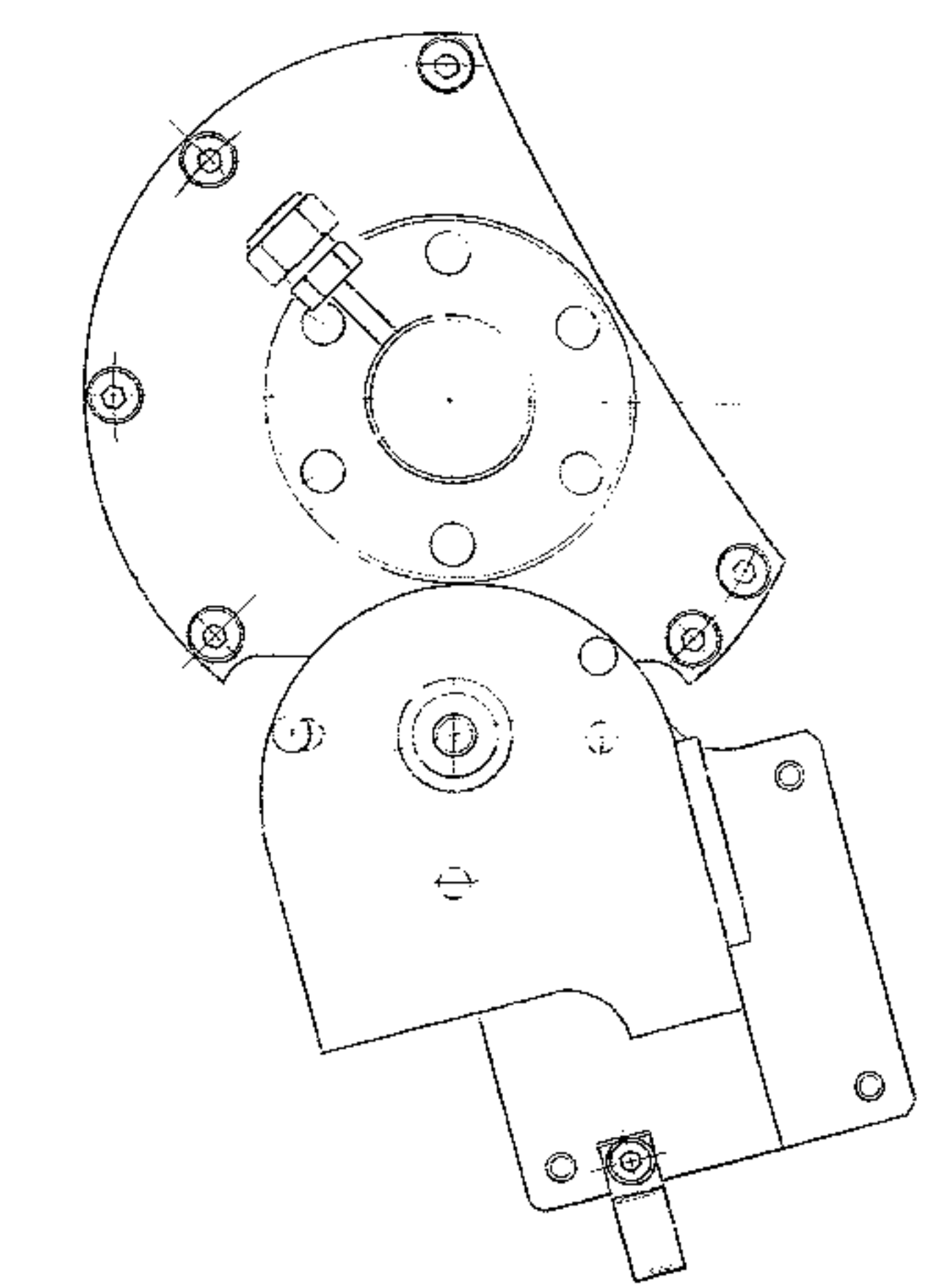
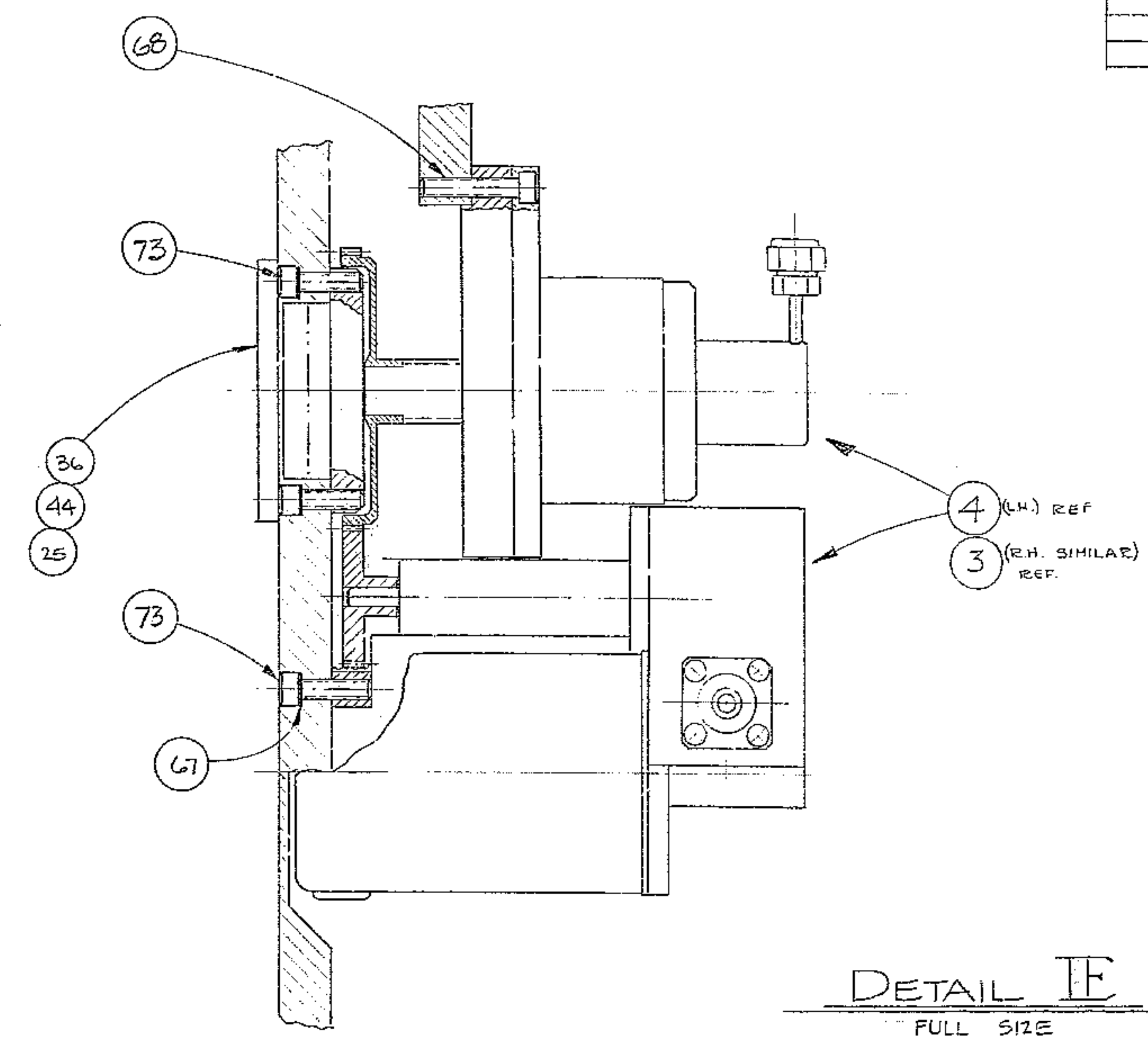


BILL OF MATERIAL

ITEM	QTY	MATERIAL	DESCRIPTION	WEIGHT
92	1	2150.580-C02A	VACUUM SEAL	
93	1	# SAVA-747	SAVA IND LOOP/SLEEVE	
94	AA	# 2032-SN	SAVA IND NYLON COATED CABLE	
95	1	2150.580-D021	REAR COVER-CELL & SUPPORT ASSY	
96	3	1/4-20 X 1/2	30C HD CAP SCW	
97	3	98-904	SHEAR LOC PRODUCTS KNOBS	



3/16" MIRROR C.G.
11/64" MIRROR & CELL C.G.
1850" C.G.

* NOTE: THESE (6) ITEMS MAY BE REPLACED BY ITEM 69 REF. (ITEM 66 OR 2150.501E002) AFTER ALIGNMENT.

1198

FOR ASSEMBLY USE		2150.501E002	
TOLERANCES UNLESS OTHERWISE NOTED			
DECIMAL DIMENSIONS 0.005 & 0.010			
FRACTIONAL DIMENSIONS UP TO 1/8" ± 1/64" OF 1/16" ± 1/32" 5/16" & OVER ± 1/16"			
BREAK SHARP EDGES			
ALL SURFACES TO HAVE V FINISH UNLESS OTHERWISE NOTED.			
C Added Items 95, 96 & 97		2/15 10-31-78	
B Added G.G. Items 47, 48, 49		12/25 7-23-74	
CROSS VIEWS TO AGREE			
DELETED ITEM 16			
A REVISED PER ANVA REQ.		3-12-72	
LET.	REVISION	BY	DATE

KITT PEAK NATIONAL OBSERVATORY OPERATED BY THE ASSOCIATION OF UNIVERSITIES FOR RESEARCH IN ASTRONOMY, INC. UNDER CONTRACT WITH NATIONAL SCIENCE FOUNDATION		SCALE 1/2" = 1"
150" STELLAR TELESCOPE X-8 MIRROR CELL & SUPPORT ASSY SEC. MIRROR & PRIME FOCUS ASSY		PRINT ISSUED
DRAWN BY: [Signature] CHECKED BY: [Signature]	APPROVED BY: [Signature] DATE: [Date]	DRAWING NUMBER: 2150.580-E002

BOLLER & CHIVENS DATA: JOB 58070 N/A E 30218 E-30455 SHEET 3 OF 3