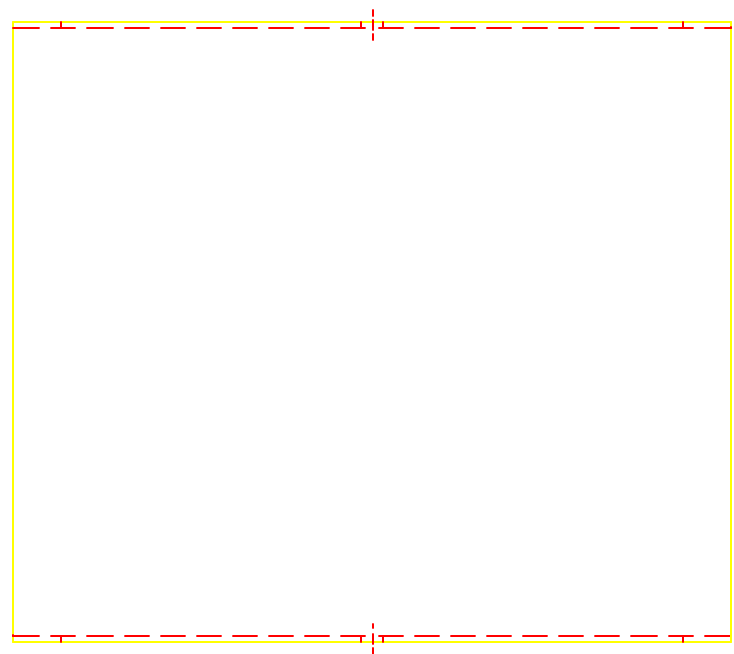
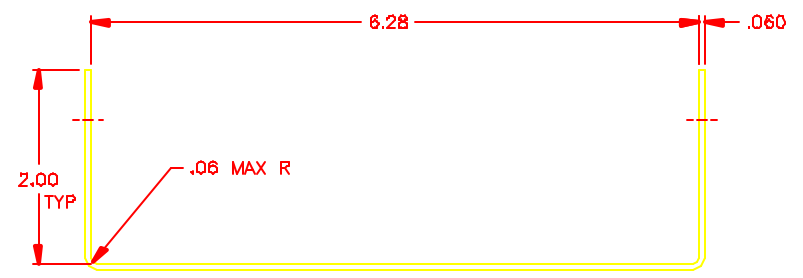
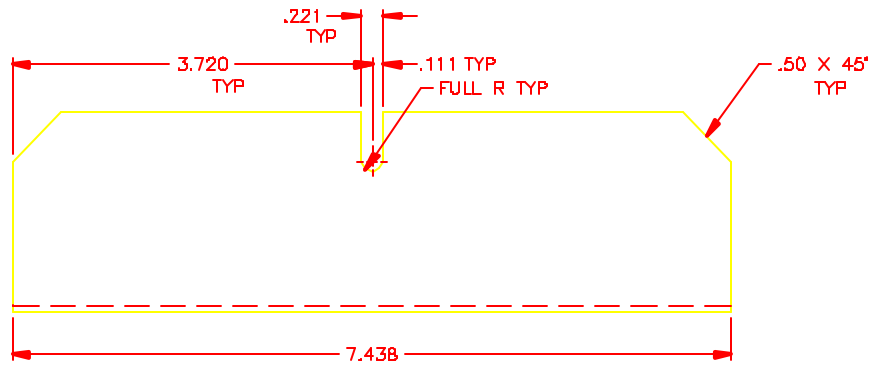


NOTES: UNLESS OTHERWISE SPECIFIED

- 1. REMOVE ALL BURRS AND SHARP EDGES .015
- 2. MACHINED SURFACE ROUGHNESS 125 ✓
- 3. MAT'L: ALUMINUM ALLOY 6061-T0
- 4. FINISH: BLACK ANODIZE

REVISIONS					
ZONE	LTR	DESCRIPTION	EDR	DATE	BY



QTY REQD	PART OR IDENTIFYING NO	DESCRIPTION	MATERIAL/SPECIFICATION	ZONE	ITEM NO
TOLERANCES UNLESS OTHERWISE NOTED DECIMALS .XX ± .03 FRACTIONS ± - ANGULAR ± 0°30' .XXX ± .010 ± -		NATIONAL OPTICAL ASTRONOMY OBSERVATORIES OPERATED BY THE ASSOCIATION OF UNIVERSITIES FOR RESEARCH IN ASTRONOMY UNDER COOPERATIVE AGREEMENT WITH NATIONAL SCIENCE FOUNDATION			
NEXT ASSEMBLY 2150.580E009		NAME COVER		REF FILE 119B	
SCALE FULL		DESIGNED BY J. HOEY	DATE 7/23/99	APPROVED BY	DATE
DRAWING PRODUCED USING AUTOCAD v.14		CHECKED BY	DATE	APPROVED BY	DATE
PRINT REVISED		DATE	APPROVED BY	DATE	REV
2150.580C026				SHEET	OF