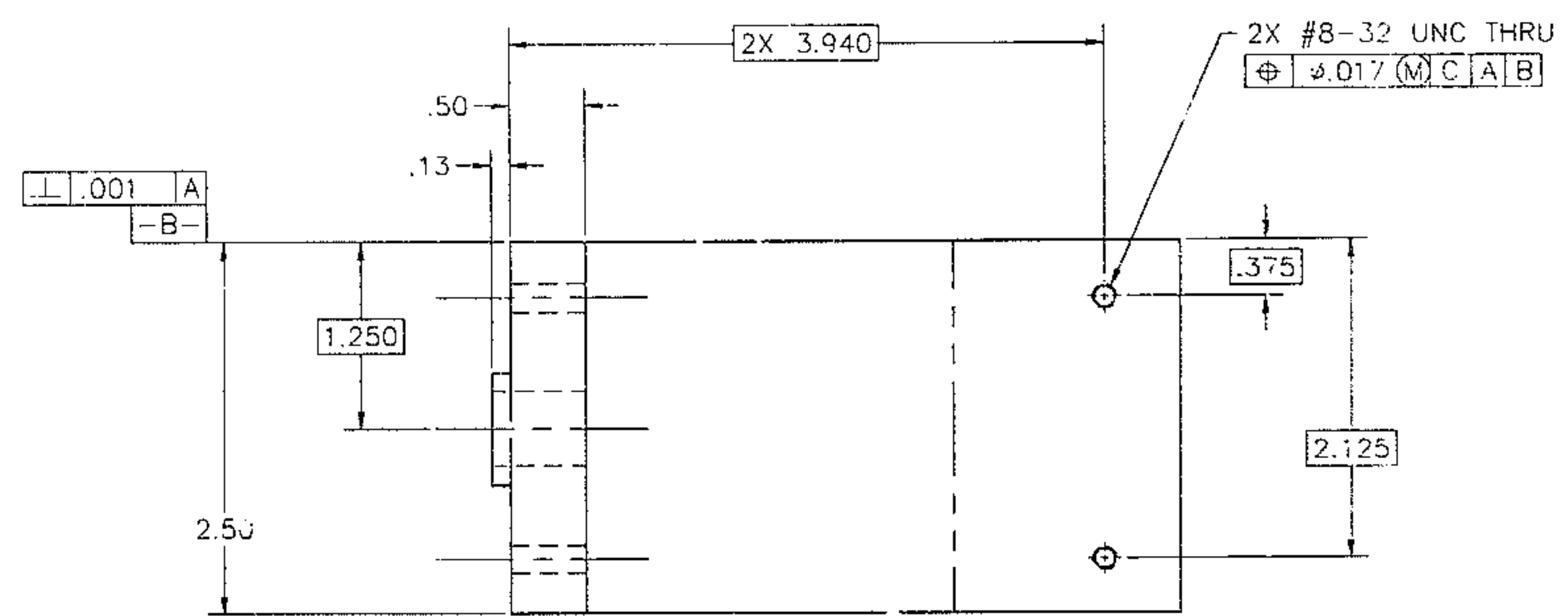
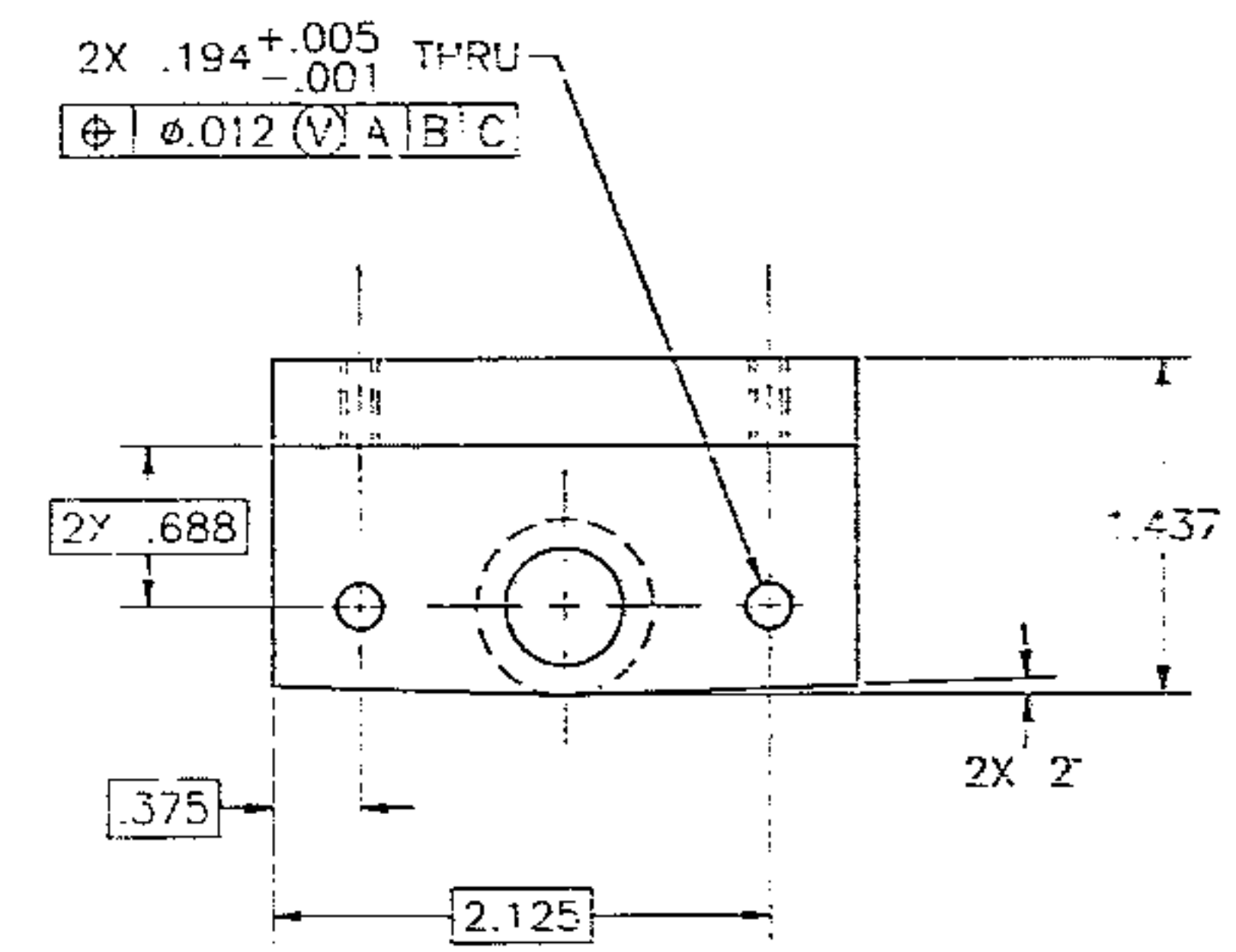
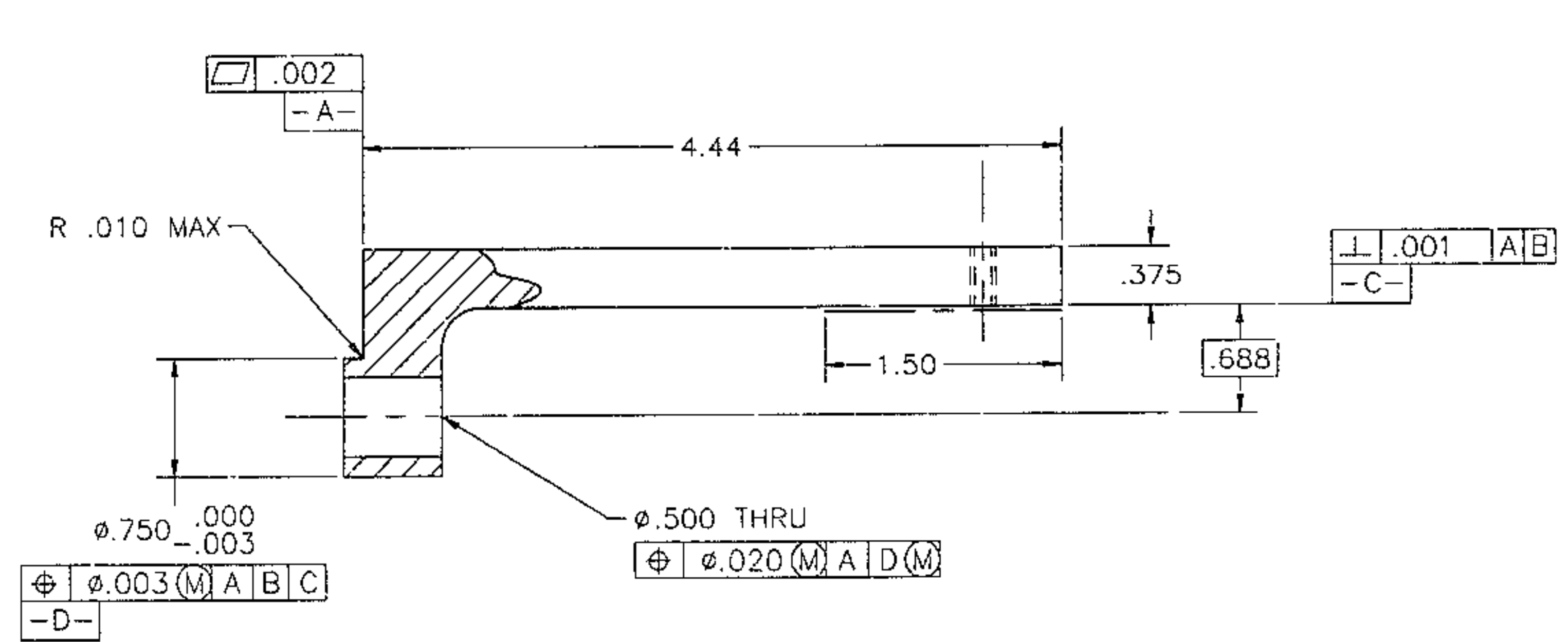


NOTES: UNLESS OTHERWISE SPECIFIED

1. REMOVE ALL BURRS AND SHARP EDGES .01.
2. MACHINED SURFACE ROUGHNESS 63 ✓
3. MATERIAL: 300 SERIES ST STL BAR.
ADD STOCK FOR MACHINING AS REQUIRED.
4. FINISH: BLACK OXIDE.
5. THIS DRAWING DIMENSIONED PER ANSI Y 14.5M-1982.
ALL DIMENSIONS APPLY AFTER FINISHING.

REVISIONS					
ZONE	LTR	DESCRIPTION	ECR	DATE	BY



3 REQD

QTY REQD	PART OR IDENTIFYING NO	DESCRIPTION	MATERIAL/SPECIFICATION	ZONE	REV NO
TOLERANCES UNLESS OTHERWISE NOTED		NATIONAL OPTICAL ASTRONOMY OBSERVATORIES OPERATED BY THE ASSOCIATION OF UNIVERSITIES FOR RESEARCH IN ASTRONOMY UNDER COOPERATIVE AGREEMENT WITH NATIONAL SCIENCE FOUNDATION			
DECIMALS .XX ± .03		FRACTIONS ± 1/32	ANGULAR ± 0'30"	REF FILE 1198	
NEXT ASSEMBLY 2150.580-E009		NAME BRACKET		USED ON 4M TELE	
SCALE: FULL	DESIGNED BY A.J. GERZOFF	DATE 96-04-30	APPROVED BY [Signature]	DATE 4/24/96	ENG NO 2150.580-C025
DRAWING PRODUCED USING AUTOCAD rel. 12	DRAWN BY A.J. GERZOFF	DATE 96 04 30	APPROVED BY	DATE	REV -
PRINT ISSUED	CHECKED BY	DATE	APPROVED BY	DATE BDC 6-7-96	SHEET 1 OF 1