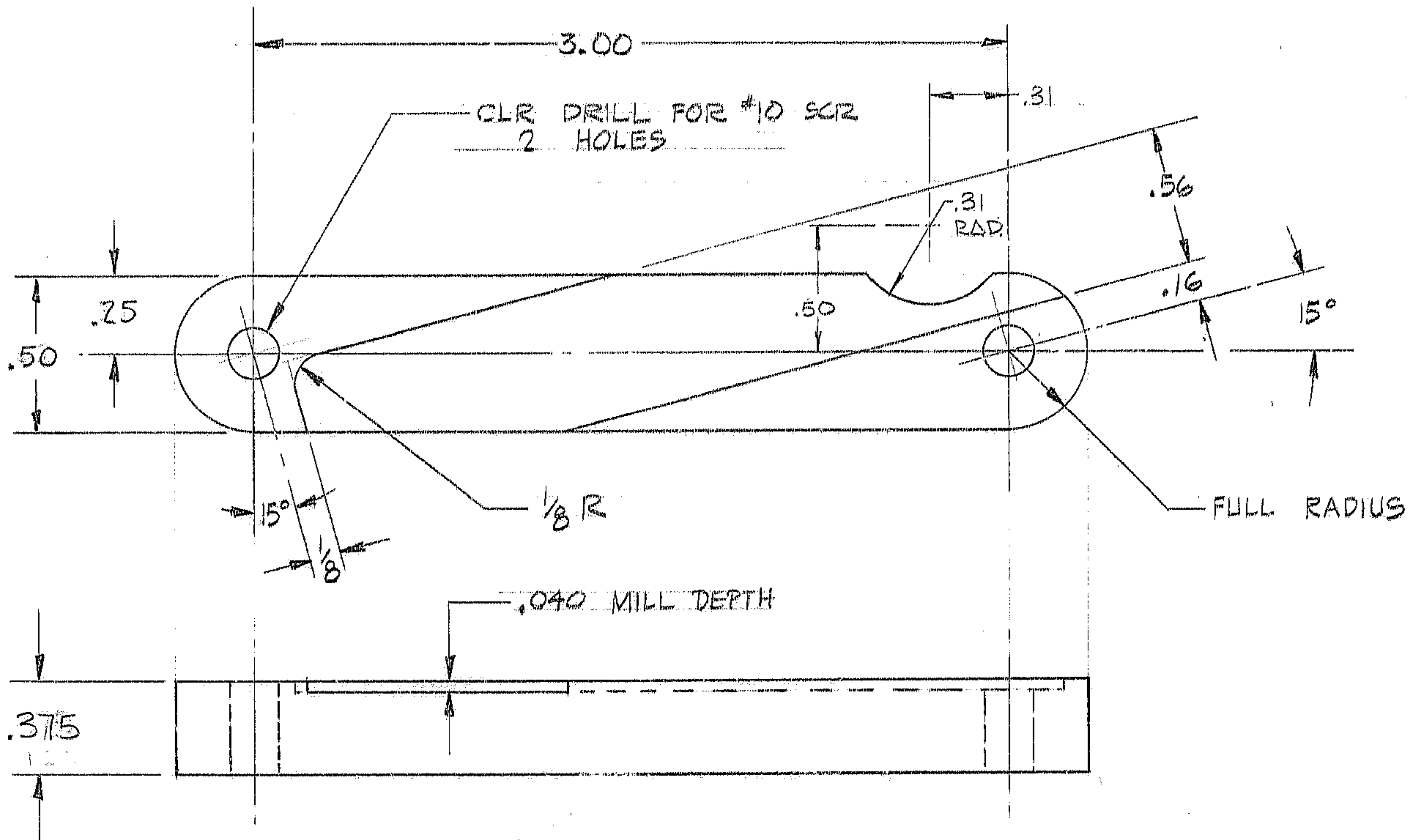


THIS DOCUMENT CONTAINS INFORMATION PROPRIETARY TO WESTERN GEAR CORPORATION. ALL DESIGN, MANUFACTURING, REPRODUCTION, USE, PATENT, AND SALES RIGHTS REGARDING THE SAME ARE HEREBY EXPRESSLY RESERVED BY WESTERN GEAR CORPORATION. THIS DOCUMENT IS SUBMITTED FOR REFERENCE PURPOSES ONLY AND SHALL NOT BE DISCLOSED TO ANY UNAUTHORIZED PERSON OR INCORPORATED INTO ANY OTHER PROJECT.

REVISIONS				
ZONE	LTR	DESCRIPTION	DATE	APPROVED
A		REVISED PER AURA REQ	3-13-70	WFL



ref. FILE 1198

NO. REQ. - 2 PER NEXT ASSEM.  
 MAT'L - 12024-T3 ALUM  
 FINISH - FAD. 63 BLK ANODIZE  
 HT. TRT. -

N/A-2150.580E002

LIMITS ON MACHINED DIMENSIONS EXCEPT AS NOTED  
 ANGULAR ± 1/20 °  
 LINEAR  
 .X = ± .1  
 .XX = ± .02 .01  
 .XXX = ± .010 .001  
 FRACTIONAL ± 1/32  
 BREAK ALL SHARP EDGES

150" STELLAR TELESCOPE  
 DRAWN D.N.V.  
 CHECK W.R. 3-15-70  
 ENGR. [Signature] 3-17-70  
 APPROVED

**Western GEAR CORPORATION** HEAVY MACHINERY DIVISION  
 EVERETT, WASHINGTON

MIRROR EDGE INDICATOR MOUNT  
 X/8 MIRROR CELL & SUPP. ASSY

SIZE	CODE IDENT NO.	REV
B	16603	2150.580 B016 A
SCALE 2X	WT. .06 LB.	SHEET OF