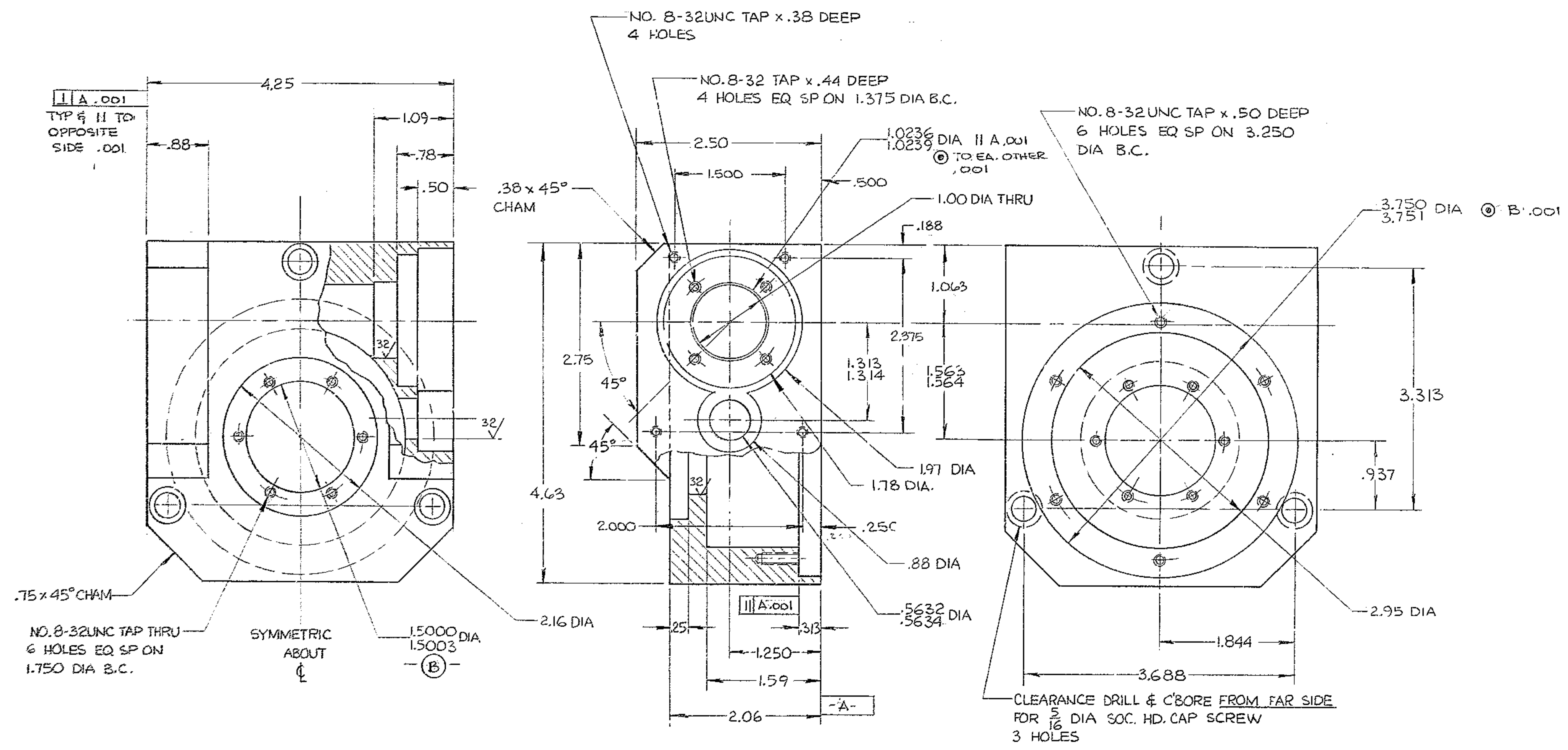


NOTE:  
 ALL MACHINED SURFACES TO BE  $\sqrt{63}$  OR BETTER,  
 UNLESS OTHERWISE SPECIFIED.

REVISIONS				
ZONE	LTR	DESCRIPTION	DATE	APPROVED
A		REVISED/AURA REG	2-19-70	W.R.



1197

FIND NO.	PART NO.	DESCRIPTION	QTY	MATERIAL	CODE IDENT
LIST OF MATERIAL (LM)					
LIMITS ON MACHINED DIMENSIONS EXCEPT AS NOTED		150 INCH STELLAR TELESCOPE			
ANGULAR = ± 1/2°		DRAWN MMS 3-31-69			
LINEAR:		CHECK W.R. 2-12-70			
X = ± .1 XXX = ± .001 .003		ENGR [Signature] 2-20-70			
XX = ± .001 FRACTIONAL = ± 1/32		APPROVED _____			
BREAK ALL SHARP EDGES .015 R		MATERIAL 2024-T351 ALUM			
REQ/NEXT ASSY: 1		SIZE CODE IDENT NO. D 16603 2150.570D103			
FINISH: BLACK ANODIZE		SCALE FULL WT 1.64 LB SHEET 1 OF 1			

N/A- 2150.570E102