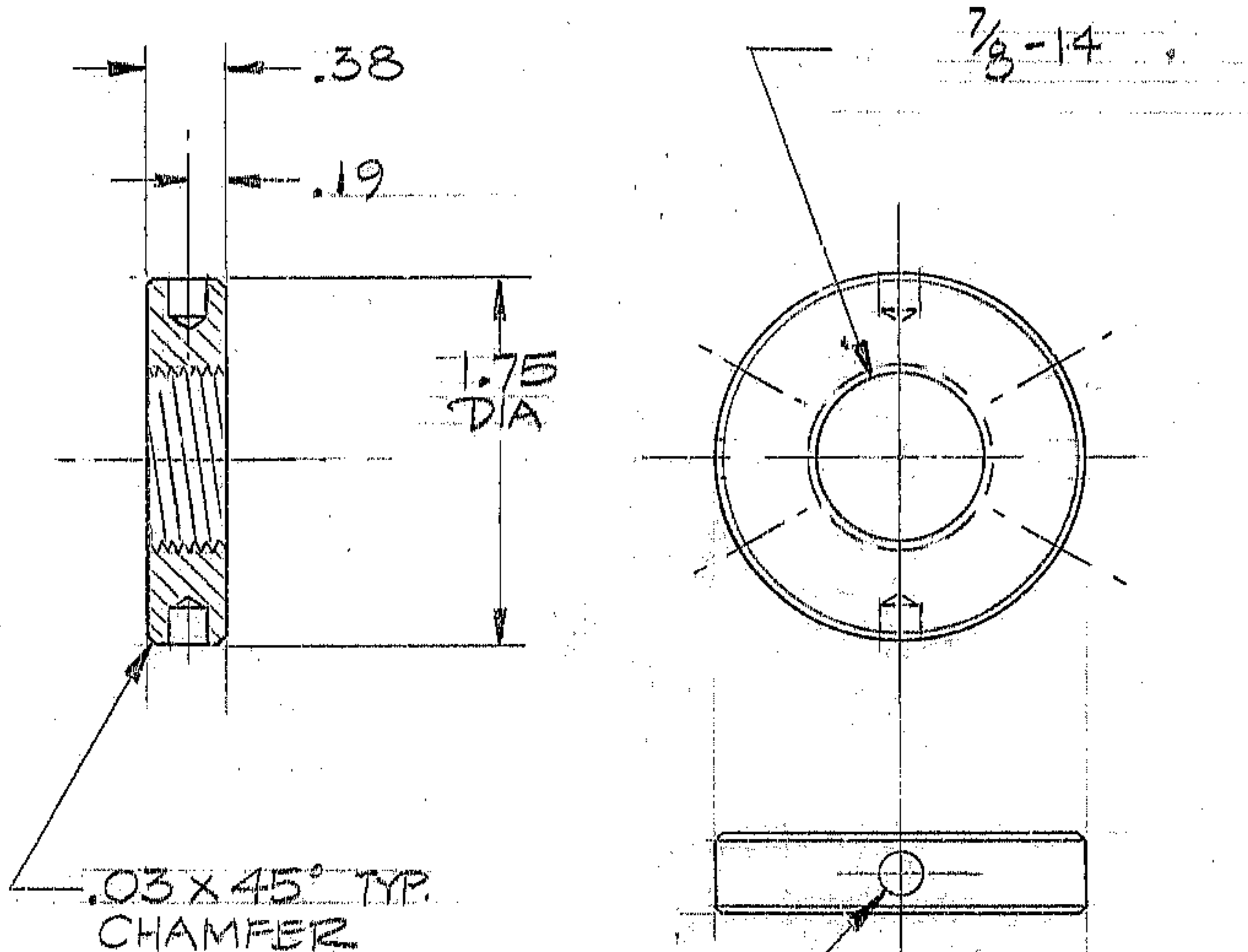


REVISIONS

LTR	DESCRIPTION	DATE	APPROVED
A	N/A # WAS 2150.570E002	8/3/92	JH/PB



NO. REQ. 8 PER NEXT ASSEM.  
 MATL: - H.T. 416 S.S.  
 FINISH - FAO 63  
 HT. TRT. -

.187 DIA X 3/16 DP.  
6 EQ SP HOLES

REF. FILE 1197

N/A - 2150.0004972E

LIMITS ON MACHINE DIMENSIONS EXCEPT AS NOTED  
 ANGULAR ± 1/2°  
 LINEAR  
 X = ± .001  
 XX = ± .00101  
 XXX = ± .001003  
 FRACTIONAL ± 1/32

BREAK ALL SHARP EDGES

150" STELLAR TELESCOPE

DRAWN Z.N.V.  
 CHECK W.R. 2-10-70  
 ENGR (Signature) 2-11-70

ORIGINAL

APPROVED

**WESTERN GEAR CORPORATION**

HEAVY MACHINERY DIVISION  
 EVERETT, WASHINGTON

CELL MOUNT STUD RETAINER  
 X/12 X/30 MIRROR FLIP ASS'Y

SIZE	CODE IDENT NO.	REV
A	16603 2150.570A036	A
SCALE FULL	WT. .12 LB	SHEET 1 OF 1