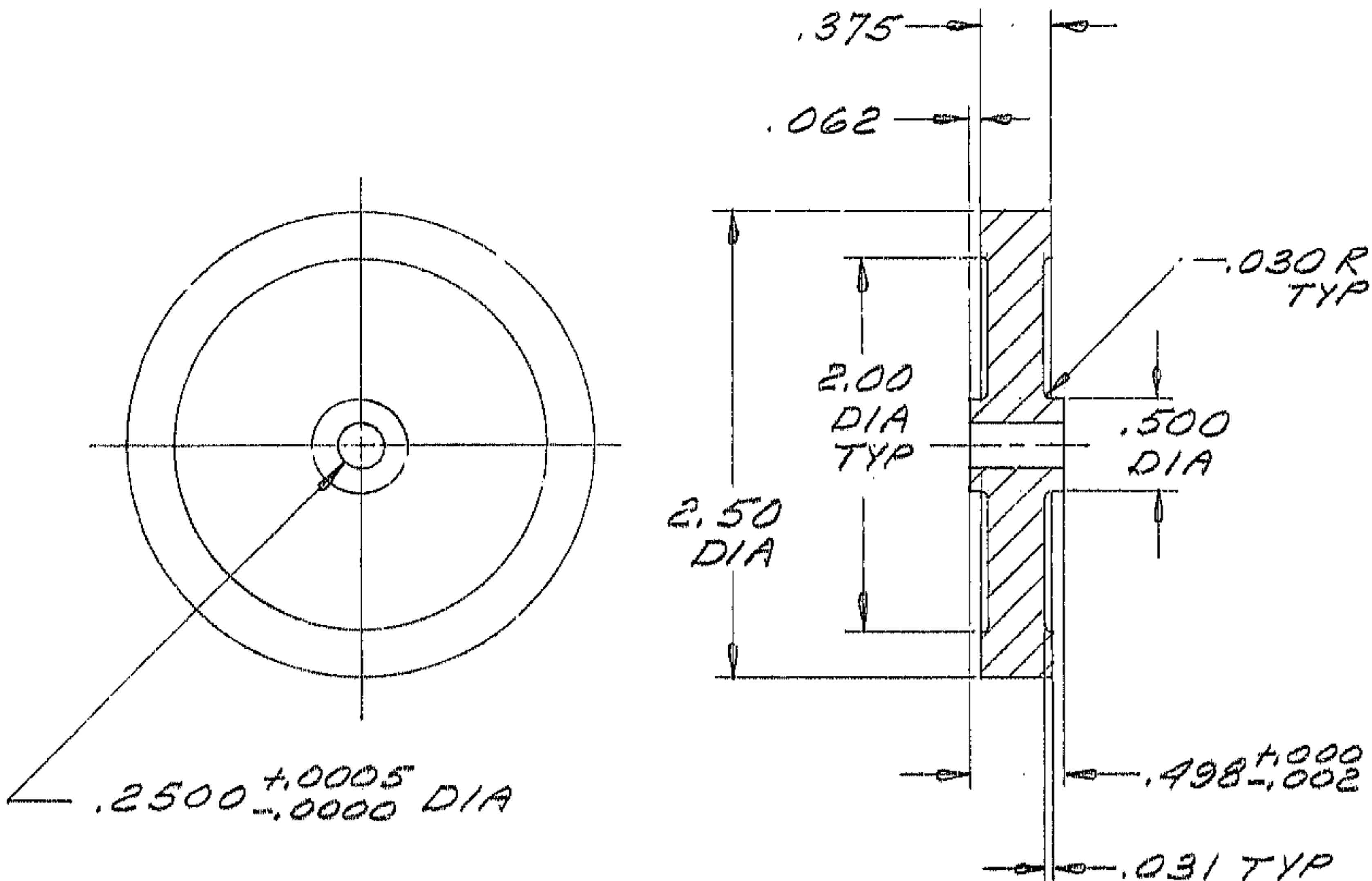


NOTES: UNLESS OTHERWISE NOTED.

1. REMOVE ALL BURRS AND SHARP EDGES $\pm .01$ R MAX
2. MACHINED SURFACE ROUGHNESS $125 \checkmark$

REVISIONS

LTR	DESCRIPTION	ECR	DATE	BY	APVD



MATL: BLACK DELRIN

150" TELESCOPE

TOLERANCES UNLESS OTHERWISE NOTED
 DECIMALS FRACTIONS ANGULAR
 .XX ± .03 ± — ± 0° 30'

KITT PEAK NATIONAL OBSERVATORY

OPERATED BY THE
 ASSOCIATION OF UNIVERSITIES FOR RESEARCH IN ASTRONOMY, INC.
 UNDER CONTRACT WITH
 NATIONAL SCIENCE FOUNDATION

NEXT ASSEMBLY
 2150.560
 -E002

NAME
 OUT-RIGGER WHEEL
 PRIME FOCUS CAGE
 OBSERVERS SEAT

REF FILE 1196

SCALE FULL	DESIGNED BY HAGAR	DATE 11-11-74	APPROVED BY	DATE	DWG NO. 2150.560-A018	REV
PRINT ISSUED	DRAWN BY HAGAR	DATE 11-11-74	APPROVED BY A.A.A.	DATE 11/21/74	RELEASE DATE APR - 2 1976	
	CHECKED BY	DATE	APPROVED BY	DATE		