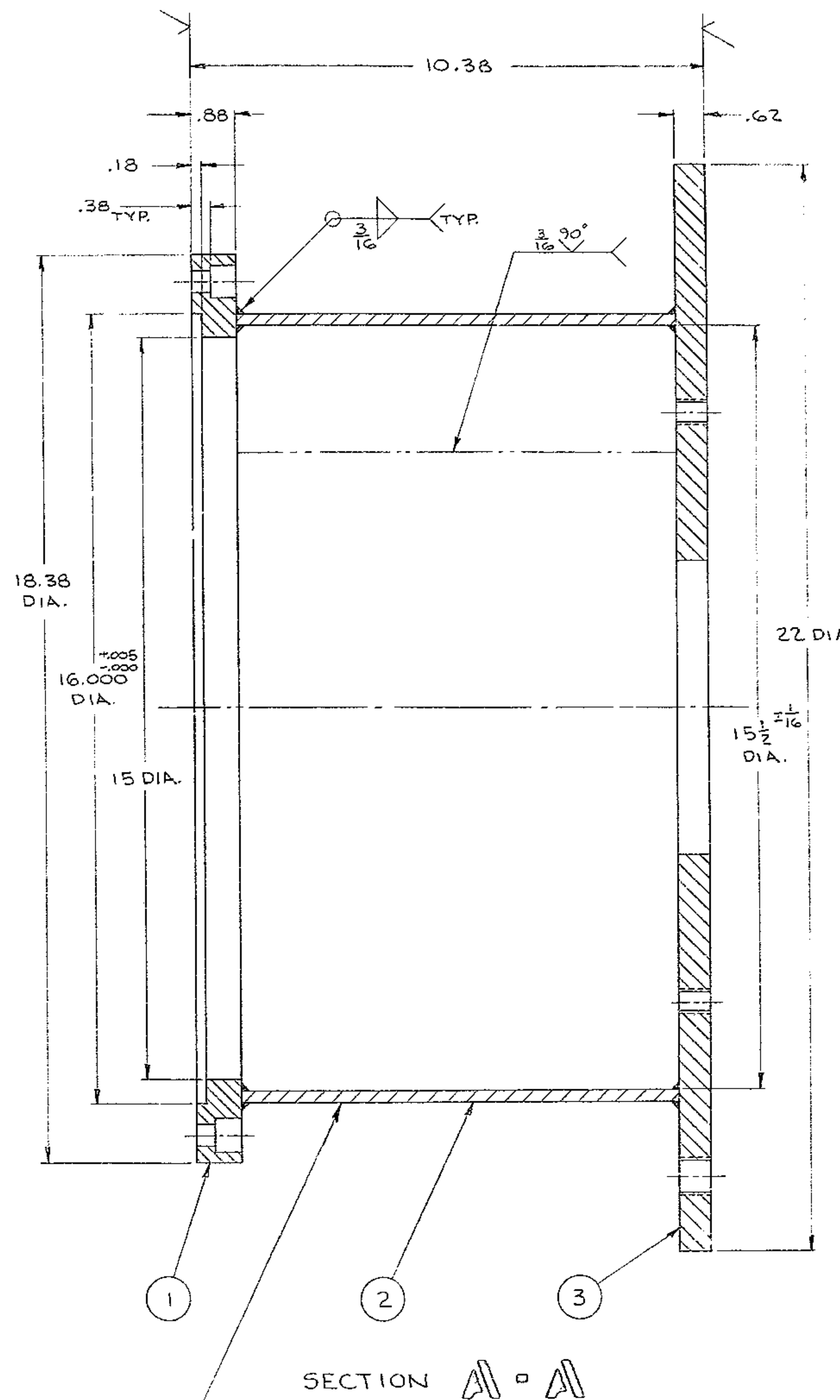
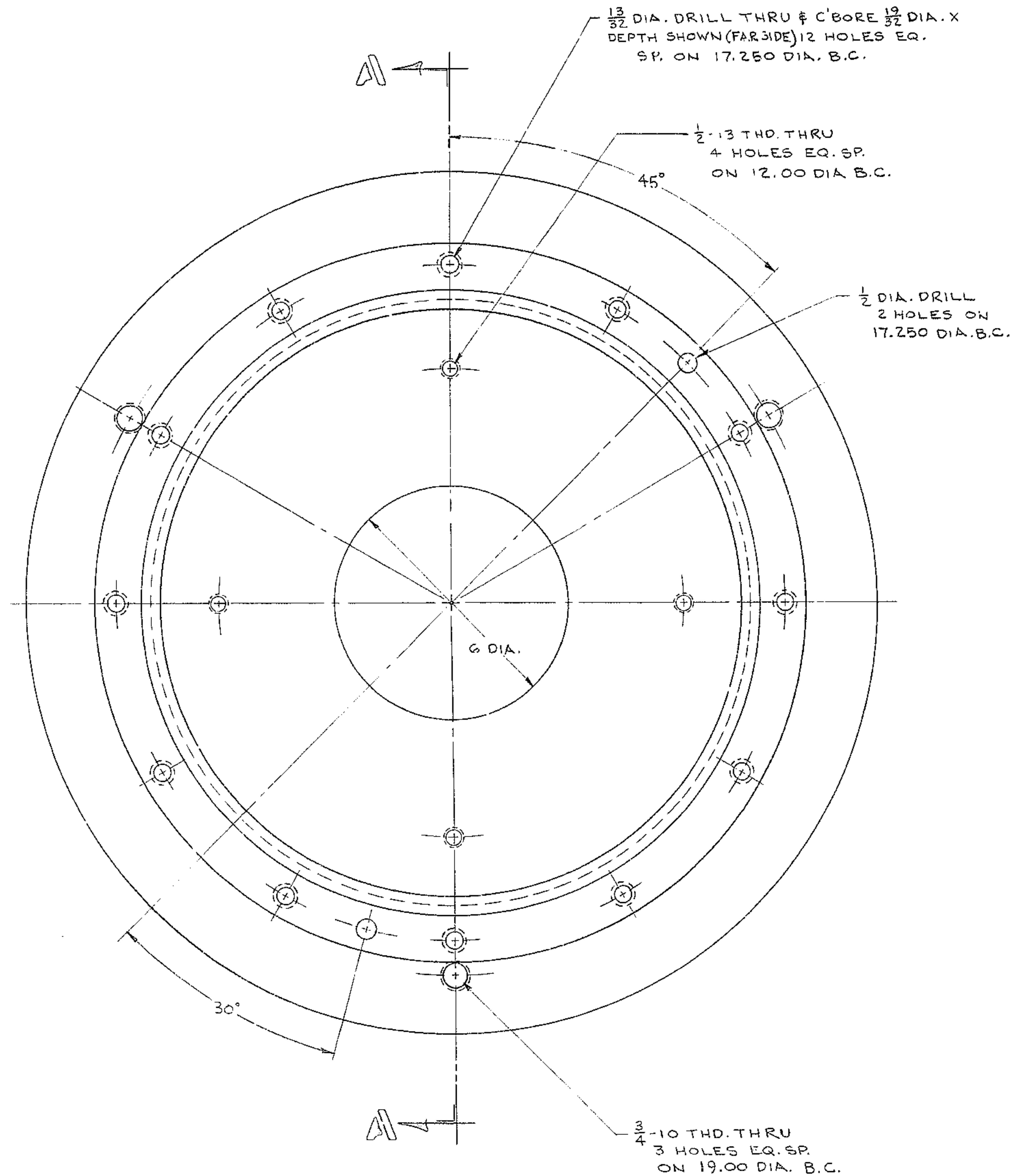


BILL OF MATERIAL

ITEM	QTY.	MATERIAL	DESCRIPTION	WEIGHT
D 203-1	1	STEEL	1 PL. X 18 3/8 DIA.	20
D 203-2	1	STEEL	1/4 PL. X 8 7/8 X 4 9 1/2	32
D 203-3	1	STEEL	3/4 PL. X 22 DIA.	61



PERMANENT MARK:
 THIS PIECE WEIGHS 113#
 USE WITH 7-25# WEIGHTS
 AND WITH 2-12 1/2# WEIGHTS
 FOR A TOTAL WEIGHT OF 315#
 INSTALL FOR TELESCOPE BALANCE
 WHENEVER PRIME FOCUS
 INSTRUMENT IS REMOVED.

1. PRIME ALL SURFACES USING TWO (2) COATS OF STEEL PRIMER, MEETING FEDERAL SPEC. TT-P-86A, TYPE II OR EQUAL, CLEAN SURFACES TO BE PRIMED IN ACCORDANCE WITH STEEL STRUCTURE PAINTING COUNCIL SPECS SP-5, "BLAST CLEANING TO WHITE METAL"
 NOTES:
 FOR ASSEMBLY SEE 2150.540-D202

<p>KITT PEAK NATIONAL OBSERVATORY OPERATED BY THE ASSOCIATION OF UNIVERSITIES FOR RESEARCH IN ASTRONOMY, INC. UNDER CONTRACT WITH NATIONAL SCIENCE FOUNDATION</p>		<p>150 INCH STELLAR TELESCOPE REF. FILE 1194</p>
<p>DESIGNED BY L. COWEL DATE 2-23-70 DRAWN BY DATE 3-19-70 CHECKED BY DATE 2-11-70</p>		<p>APPROVED BY DATE 6/19/70 APPROVED BY DATE</p>
<p>LET. REVISION ECR DATE BY</p>		<p>DRAWING NUMBER 2150-540-D203</p>