

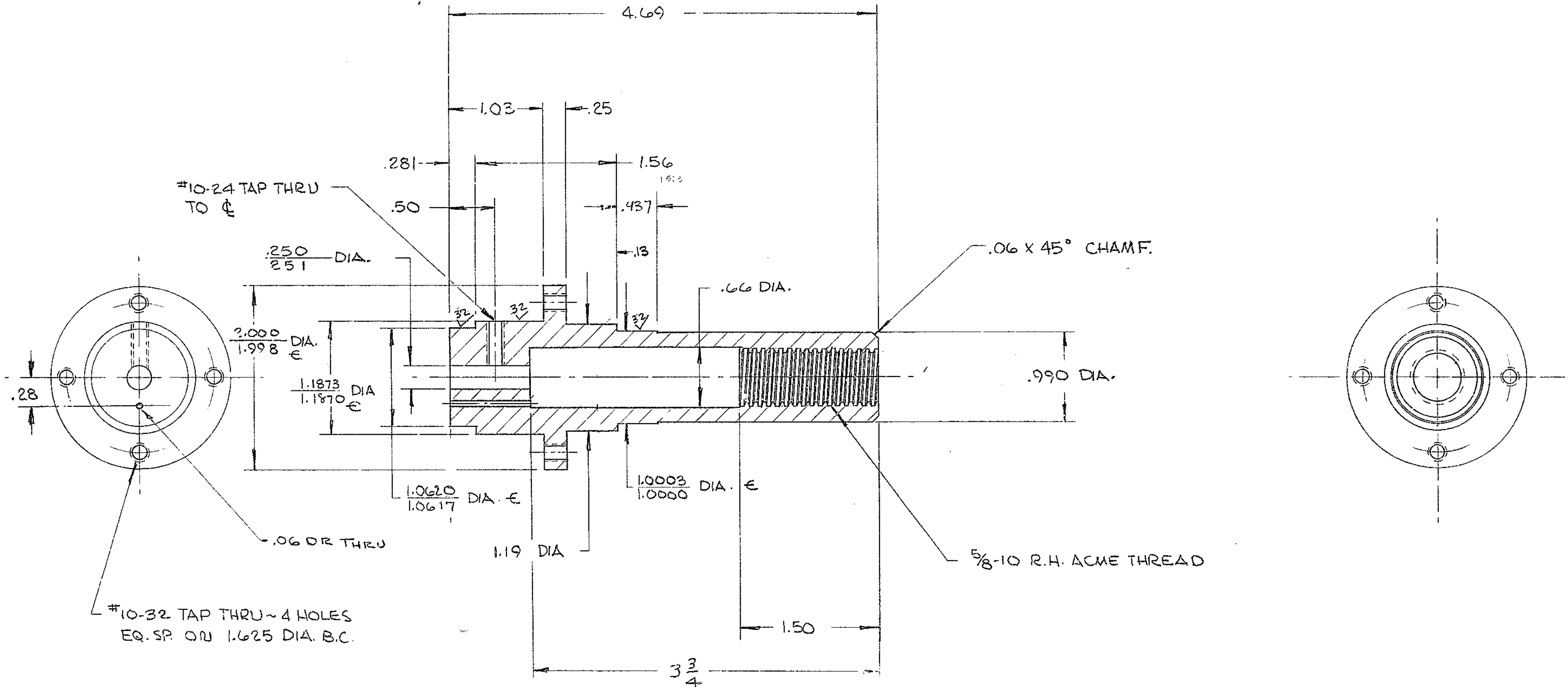
4

3

2

1

REVISIONS				
ZONE	LTR	DESCRIPTION	DATE	APPROVED
	A	REVISED PER AURA REQ	2-27-70	WR



REF. 1194

NO. REQ. = 1 PER NEXT ASSEM.
 MAT'L = ALUM BRONZE AMPCO #15
 FINISH = OR EQ.
 HT. TRT. =

N/A 2150.540E102

NOTES:
 (1) DIAS. MARKED € TO BE CONCENTRIC W/IN .0003 TIR. TO THRD
 (2) MACH. A.D. & NOTED

FIND NO.	PART NO.	DESCRIPTION	QTY	MATERIAL	CODE IDENT
LIST OF MATERIAL (LM)					
LIMITS ON MACHINED DIMENSIONS EXCEPT AS NOTED ANGULAR = ± 1/2° LINEAR: X = ± .1 .XXX = ± .0003 .XX = ± .0001 FRACTIONAL = ± 1/32 BREAK ALL SHARP EDGES		150" STELLAR TELESCOPE		HEAVY MACHINERY DIVISION EVERETT, WASHINGTON	
MATERIAL		DRAWN R. CHAVEZ 3-28-69 CHECK WR 2-27-70 ENGR [Signature] 3-4-70	FOCUS NUT PEDESTAL DRIVE ASS'Y		
APPROVED		SIZE C	CODE IDENT NO. 16603	2150.540C104	REV A
SCALE FULL		WT 1.20	LB	SHEET 1	OF 1