

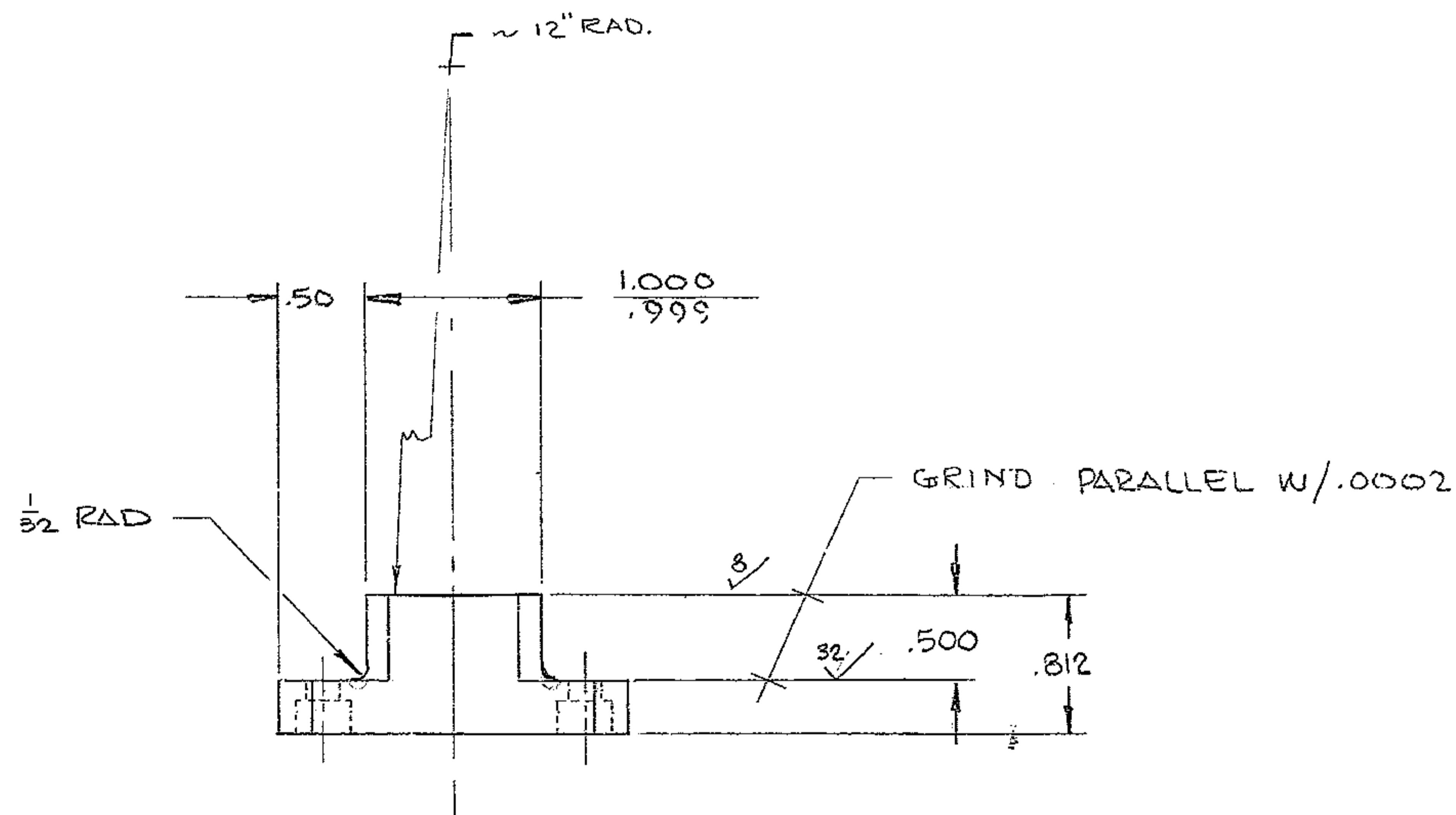
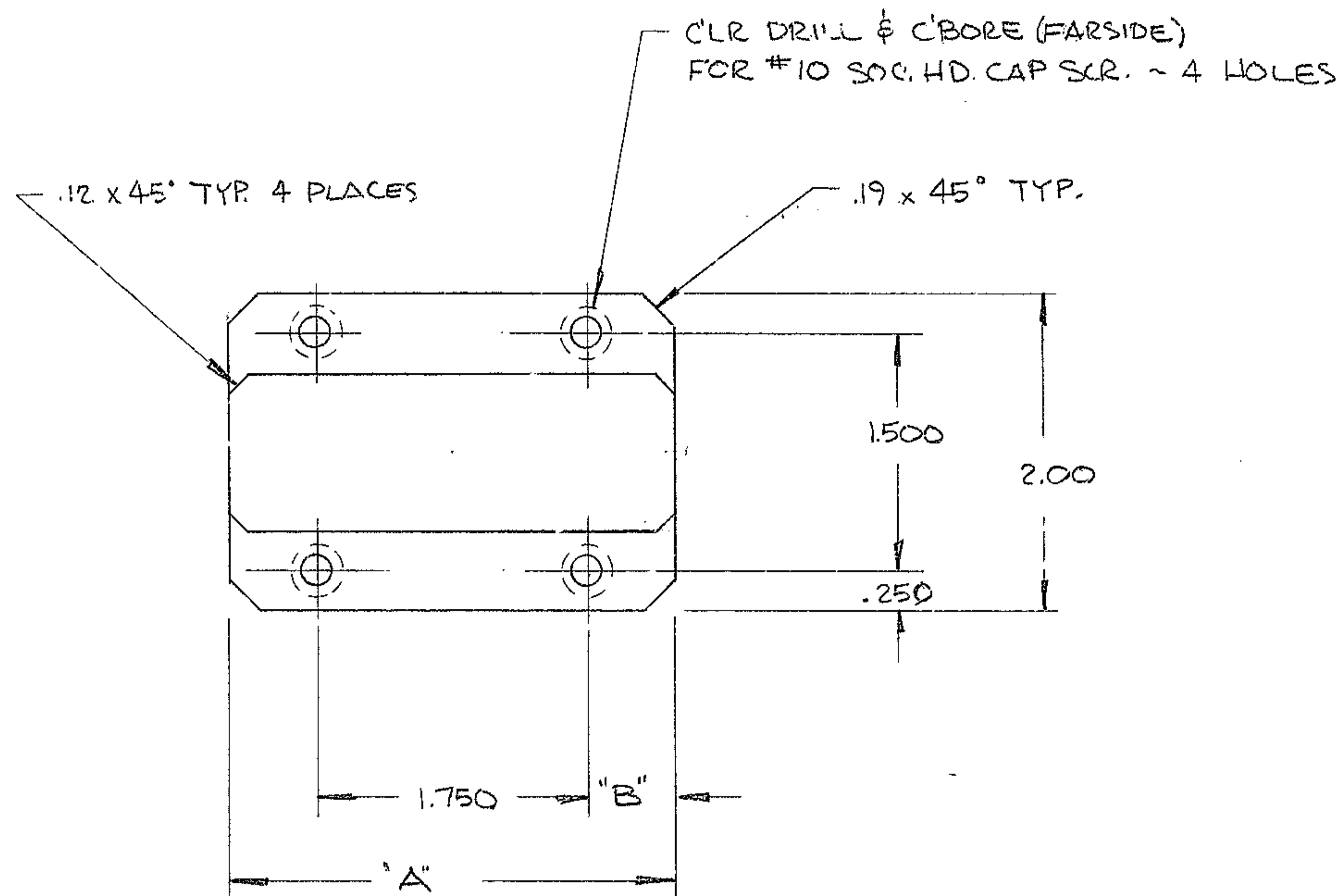
4

3

2

1

REVISIONS				
ZONE	LTR	DESCRIPTION	DATE	APPROVED
	A	REVISED PER AURA REQR.	3-5-70	



REF. 1194

- (-1) 2150.540C009 (6) REQ'D
- (-2) 2150.540C010 (5) "

NO. REQ. - PER NEXT ASSEM.  
 MATL - SAE 52100 STL  
 FINISH -  $\checkmark$  & NOTED  
 HT. TRT. - Rc 60-65

N/A-2150.540E002

DASH	"A"	"B"	
-1	2.88	.56	(2150.540C009) REF.
-2	2.38	.31	(2150.540C010) REF.

FIND NO.	PART NO.	DESCRIPTION	QTY	MATERIAL	CODE IDENT
LIST OF MATERIAL (LM)					
LIMITS ON MACHINED DIMENSIONS EXCEPT AS NOTED ANGULAR = $\pm$ <del>1/32</del> 1/2°		150" STELLAR TELESCOPE		<b>Western</b> GEAR CORPORATION HEAVY MACHINERY DIVISION EVERETT, WASHINGTON	
LINEAR: X = $\pm$ .1    XXX = $\pm$ .010 - .003 XX = $\pm$ .005 OF FRACTIONAL = $\pm$ 1/32		DRAWN R. CHAVEZ	4-27-69	FIXED MOUNT BALL RACEWAY (-1)	
BREAK ALL SHARP EDGES		CHECK WJR	3-9-70	FOCUSING MOUNT BALL RACEWAY (-2)	
MATERIAL		ENGR	3-9-70	PRIME FOCUS PEDESTAL ASS'Y	
APPROVED		SIZE	CODE IDENT NO.	REV	
		C 16603	2150.540C009 (-1) 2150.540C010 (-2)	A	
SCALE FULL		WT	LB	SHEET 1 OF 1	