

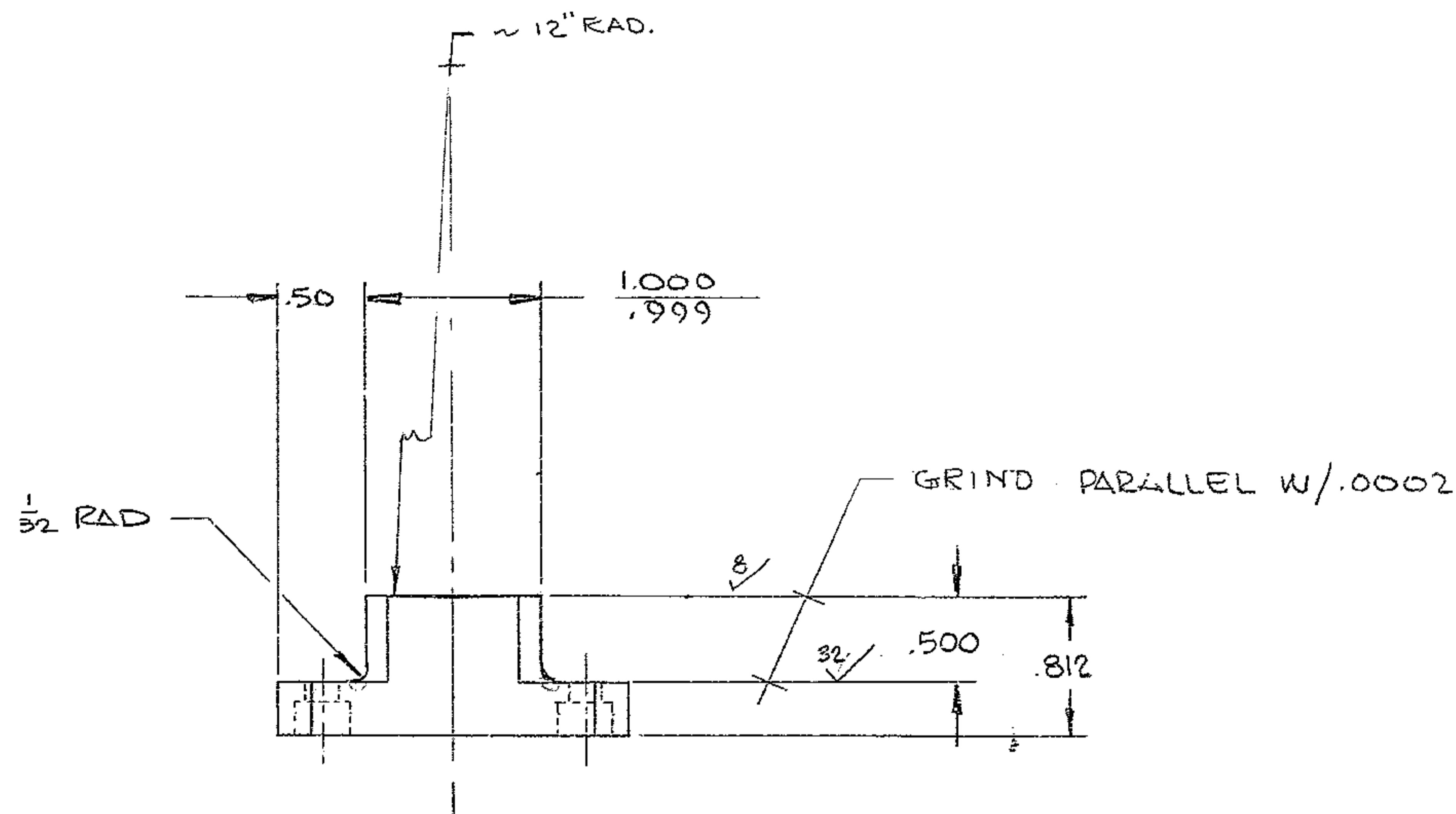
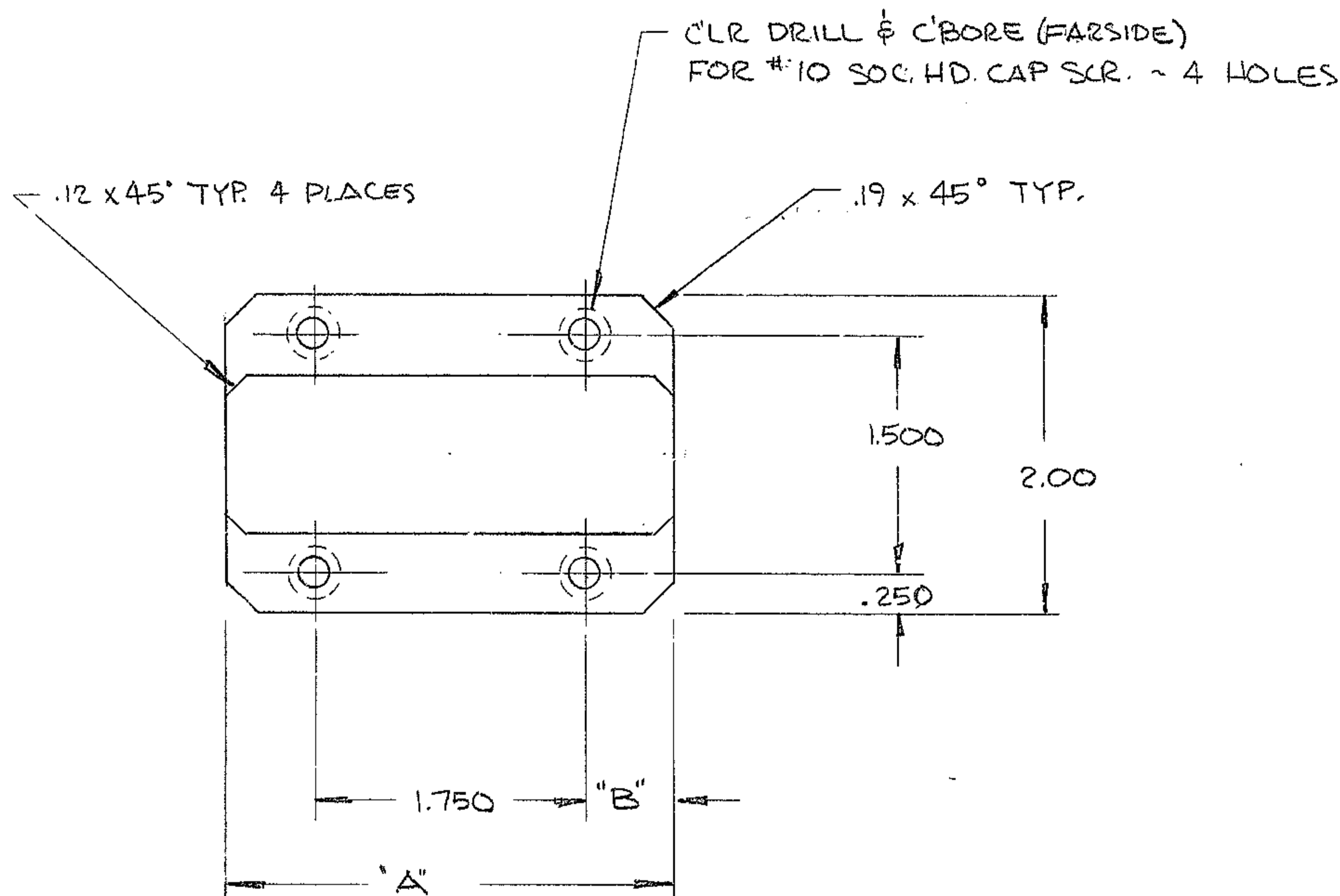
4

3

2

1

REVISIONS				
ZONE	LTR	DESCRIPTION	DATE	APPROVED
	A	REVISED PER AURA. REQ.	3-5-70	WJL



1194

(-1) 2150.540C009 (6) REQ'D
 (-2) 2150.540C010 (5) "

NO. REQ. — PER NEXT ASSEM.
 MATL. — SAE 52100 STL
 FINISH — \checkmark & NOTED
 HT. TRT. — Rc 60-65

N/A-2150.540E002

DASH	"A"	"B"	
-1	2.88	.56	(2150.540C009) REF.
-2	2.38	.31	(2150.540C010) REF.

FIND NO.	PART NO.	DESCRIPTION	QTY	MATERIAL	CODE IDENT
LIST OF MATERIAL (LM)					
LIMITS ON MACHINED DIMENSIONS EXCEPT AS NOTED		150" STELLAR TELESCOPE		HEAVY MACHINERY DIVISION EVERETT, WASHINGTON	
ANGULAR = \pm 1/2 1/2°		DRAWN R. HAVEL 4-22-69		FIXED MOUNT BALL RACEWAY (-1)	
LINEAR: X = \pm .1 .XXX = \pm .005 .003 .XX = \pm .005 0/FRACTIONAL = \pm 1/32		CHECK WR 3-9-70		FOCUSING MOUNT BALL RACEWAY (-2)	
BREAK ALL SHARP EDGES		ENGR 3-9-70		PRIME FOCUS PEDESTAL ASS'Y	
MATERIAL		APPROVED		SIZE	CODE IDENT NO.
				C	16603
				2150.540C009 (-1)	REV A
				2150.540C010 (-2)	
		SCALE FULL	WT	LB	SHEET 1 OF 1