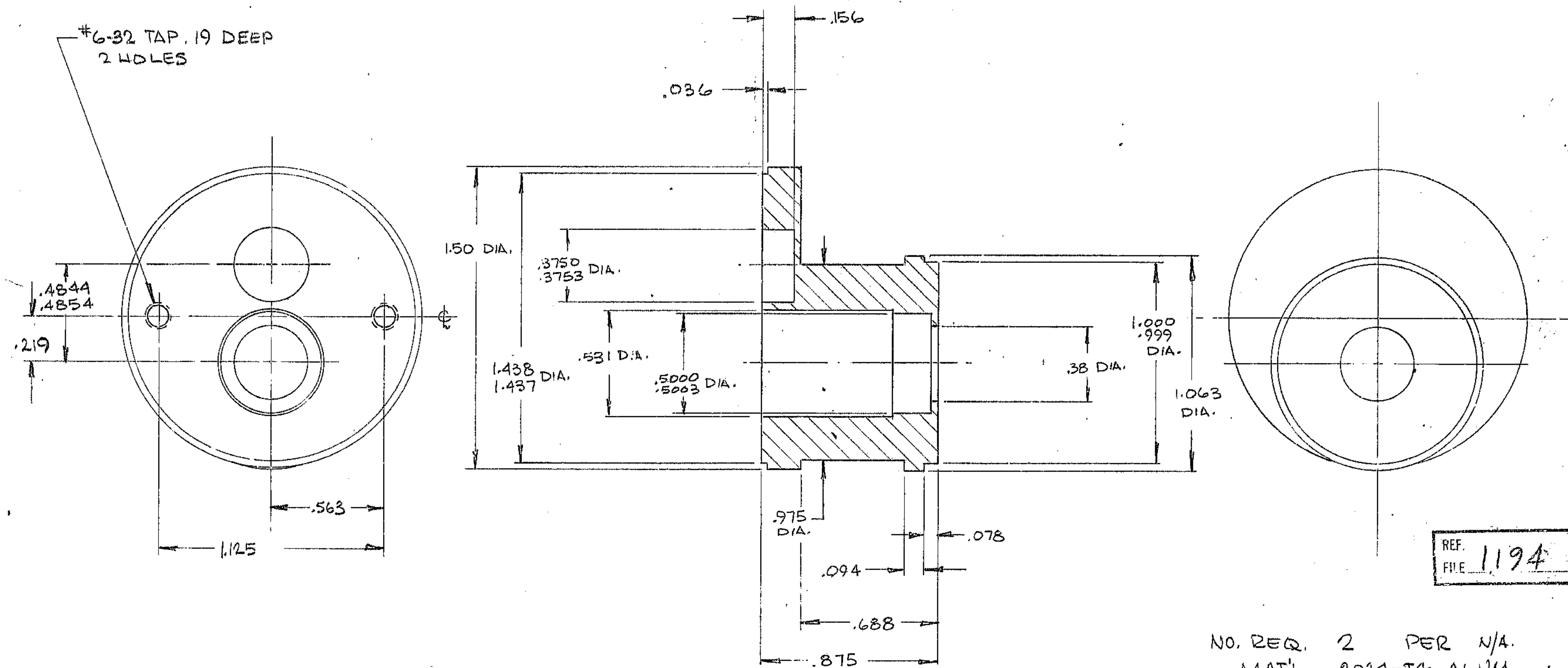


THIS DOCUMENT CONTAINS INFORMATION PROPRIETARY TO WESTERN GEAR CORPORATION. ALL DESIGN, MANUFACTURING, REPRODUCTION, USE, PATENT, AND SALES RIGHTS REGARDING THE SAME ARE HEREBY EXPRESSLY RESERVED BY WESTERN GEAR CORPORATION. THIS DOCUMENT IS SUBMITTED FOR REFERENCE PURPOSES ONLY AND SHALL NOT BE DISCLOSED TO ANY UNAUTHORIZED PERSON OR INCORPORATED INTO ANY OTHER PROJECT.

REVISIONS				
ZONE	LTR	DESCRIPTION	DATE	APPROVED
	A	CORRECTED PER AURA REQ.	11-23-73	RC



REF. FILE 1194

NO. REQ. 2 PER N/A.  
 MAT'L - 2024-T4 ALUM  
 FINISH - BLK. ANODIZE

LIMITS ON MACHINED DIMENSIONS EXCEPT AS NOTED ANGULAR $\pm \frac{1}{2}^\circ$ LINEAR .X = $\pm .1$ .XX = $\pm .01$ .XXX = $\pm .001, .003$ FRACTIONAL $\pm 1/32$  BREAK ALL SHARP EDGES	150 STELLAR TELESCOPE		<b>Western GEAR CORPORATION</b> HEAVY MACHINERY DIVISION EVERETT, WASHINGTON	
	DRAWN R.C.		GEAR HSG. - LOWER	
	CHECK		PRIME FOCUS DRIVE ASSY	
	ENGR			
APPROVED	SIZE B	CODE IDENT NO. 16603	2150.540 B118	REV A
	SCALE 2x	WT.	LB SHEET 1 OF 1	