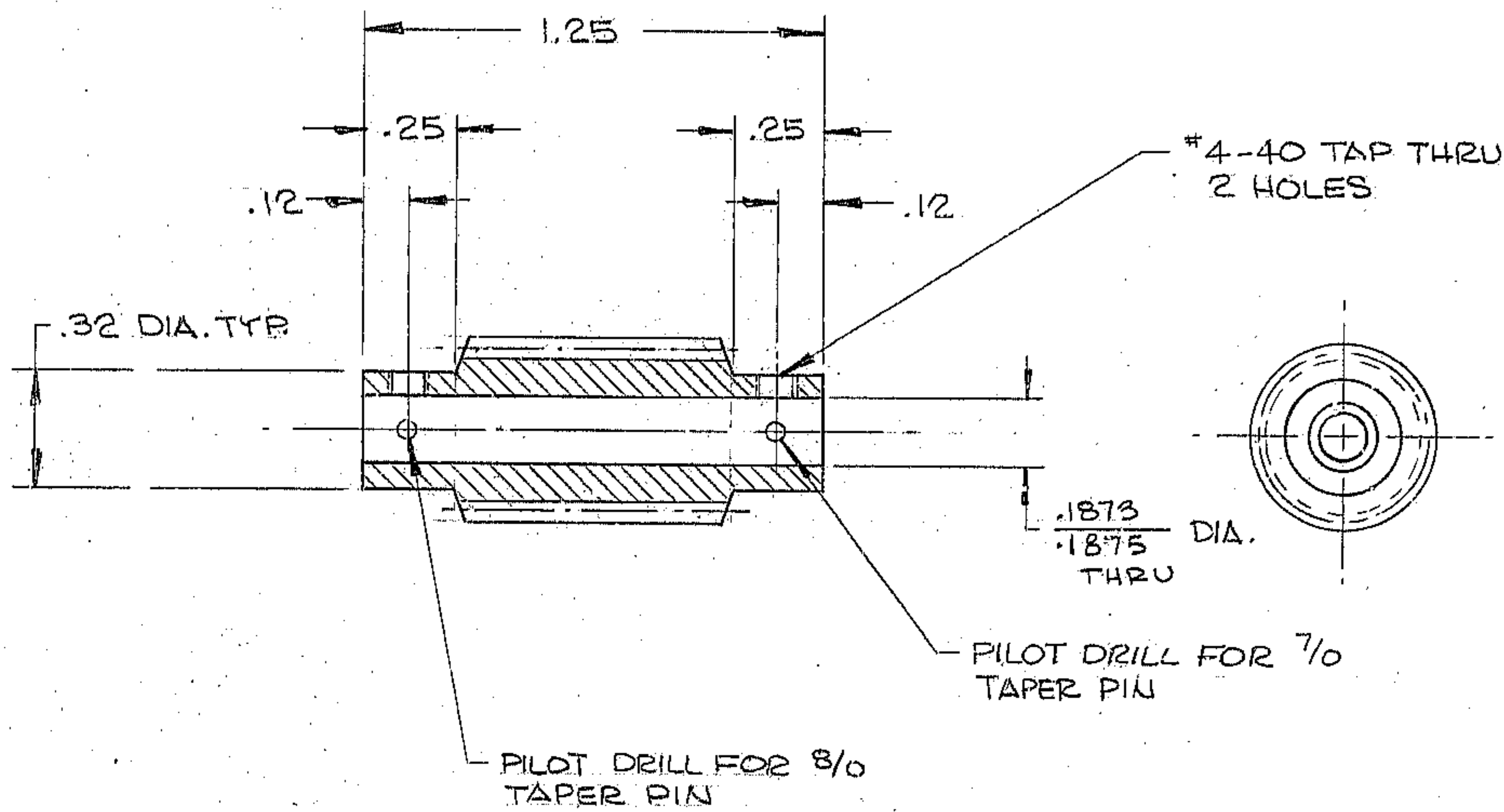


THIS DOCUMENT CONTAINS INFORMATION PROPRIETARY TO WESTERN GEAR CORPORATION. ALL DESIGN, MANUFACTURING, REPRODUCTION, USE, PATENT, AND SALES RIGHTS REGARDING THE SAME ARE HEREBY EXPRESSLY RESERVED BY WESTERN GEAR CORPORATION. THIS DOCUMENT IS SUBMITTED FOR REFERENCE PURPOSES ONLY AND SHALL NOT BE DISCLOSED TO ANY UNAUTHORIZED PERSON OR INCORPORATED INTO ANY OTHER PROJECT.

REVISIONS				
ZONE	LTR	DESCRIPTION	DATE	APPROVED
	A	CORRECTED PER AURA REQ	12-2-73	

WORM DATA	
PRESSURE ANGLE	20°
PITCH DIAMETER	.438
DIAMETRAL PITCH	32
THREAD	2 R.H.
LEAD	.1963
LEAD ANGLE	8°-8'
OUTER DIAMETER	.500

RIGHT HAND



REF. FILE 1194

NO. REQ. - 1 PER NEXT ASSEM.  
 MAT'L - H.T. 416 ST. STL.  
 FINISH - DRY LUBE  
 HT. TRT. -

N/A-2150-540E102

LIMITS ON MACHINED DIMENSIONS EXCEPT AS NOTED ANGULAR $\pm 1/2^\circ$ LINEAR X = $\pm .1$ XX = $\pm .0001$ XXX = $\pm .000003$ FRACTIONAL $\pm 1/32$ BREAK ALL SHARP EDGES	150" STELLAR TELESCOPE		<b>Western GEAR CORPORATION</b> HEAVY MACHINERY DIVISION EVERETT, WASHINGTON	
	DRAWN R. CHAVEZ 3-4-70		WORM	
	CHECK W R 3-6-70		PRIME FOCUS PEDESTAL ASSY	
	ENGR @ 3-9-70		ORIGINAL	
APPROVED	SIZE B	CODE IDENT NO. 16603	2150.540B114	REV A
	SCALE	WT.	LB SHEET 1	OF 1