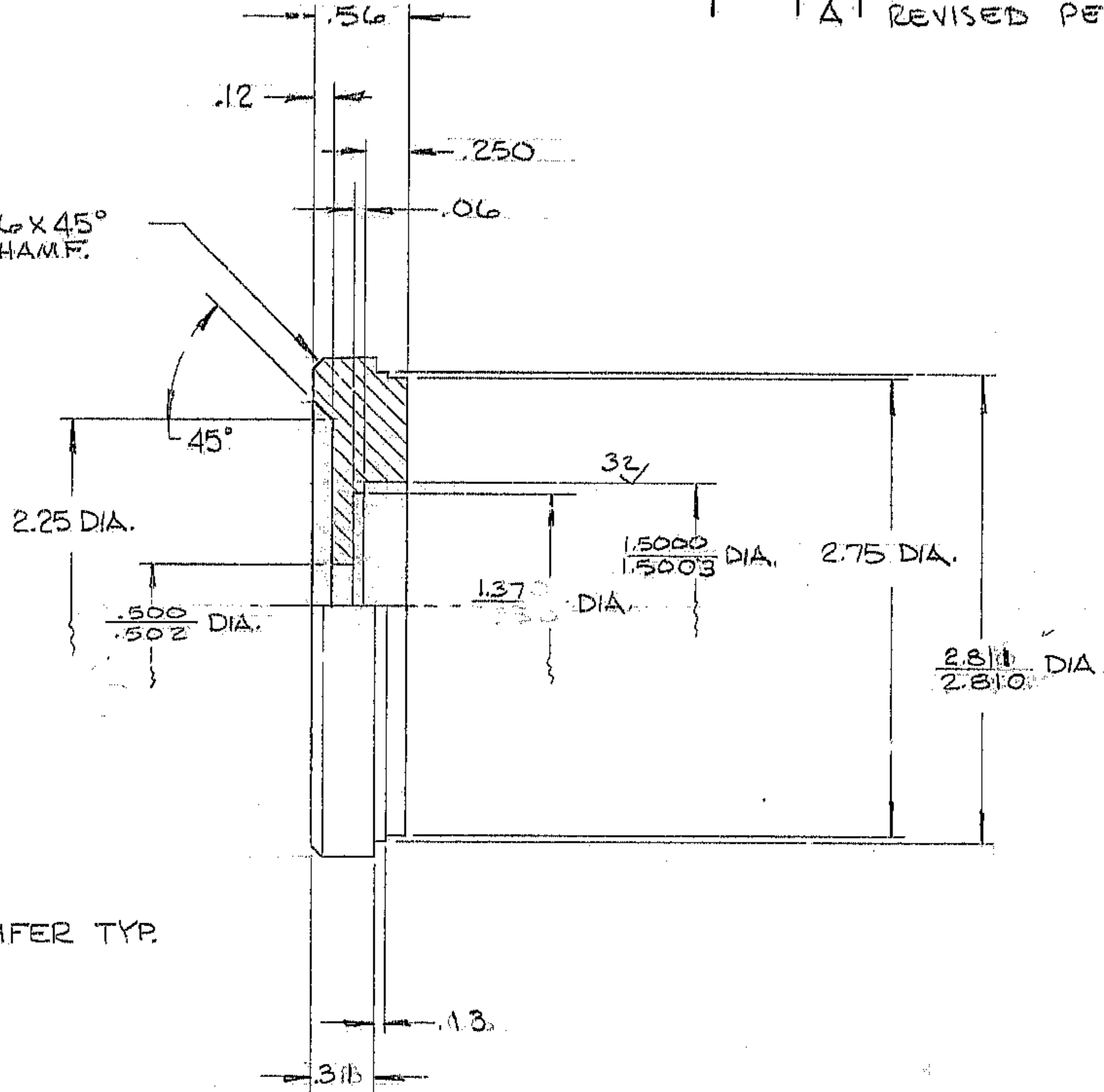
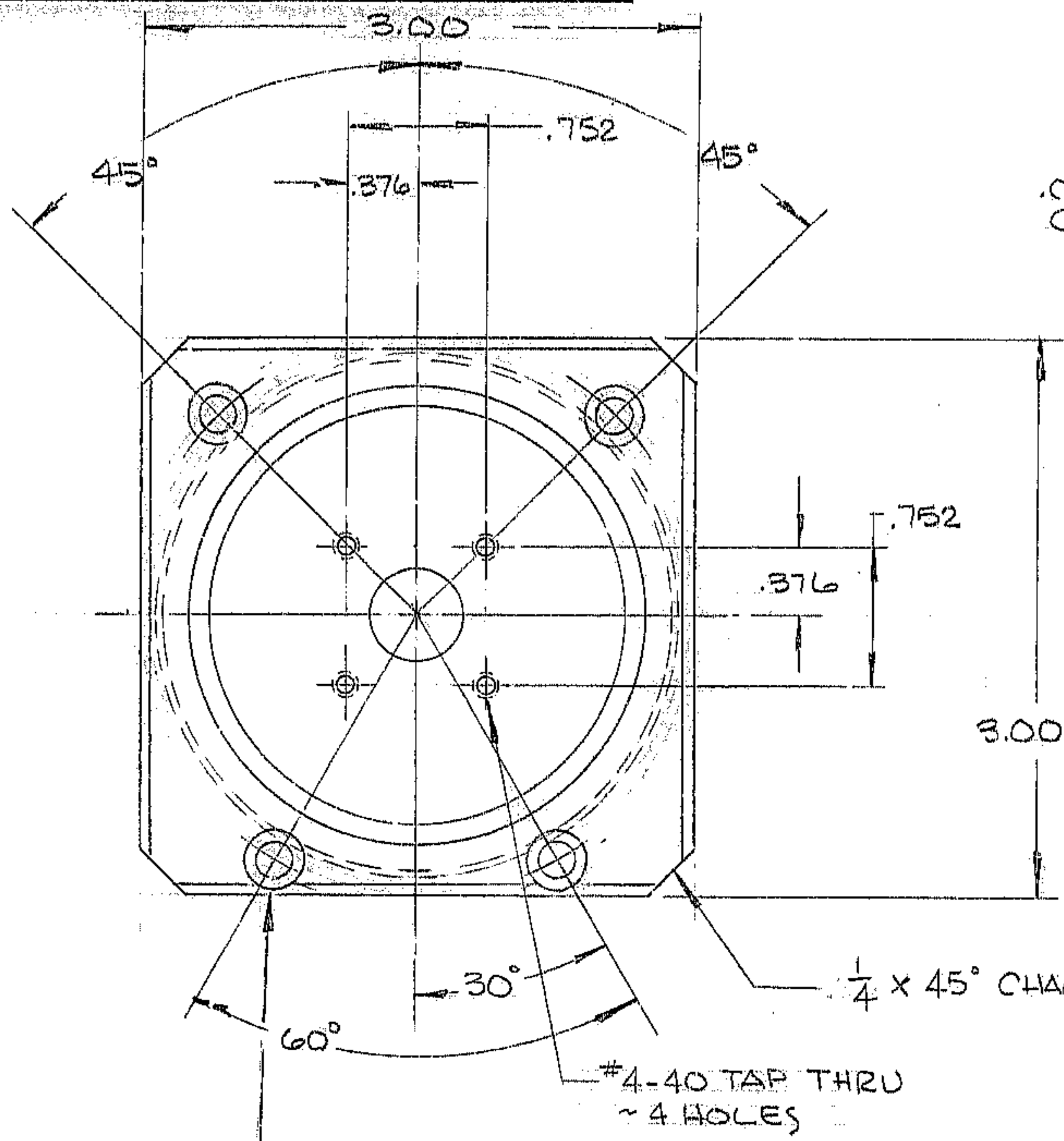


THIS DOCUMENT CONTAINS INFORMATION PROPRIETARY TO WESTERN GEAR CORPORATION. ALL DESIGN, MANUFACTURING, REPRODUCTION, USE, PATENT, AND SALES RIGHTS REGARDING THE SAME ARE HEREBY EXPRESSLY RESERVED BY WESTERN GEAR CORPORATION. THIS DOCUMENT IS SUBMITTED FOR REFERENCE PURPOSES ONLY AND SHALL NOT BE DISCLOSED TO ANY UNAUTHORIZED PERSON OR INCORPORATED INTO ANY OTHER PROJECT.

REVISIONS				
ZONE	LTR	DESCRIPTION	DATE	APPROVED
A		REVISED PER AURA REQ.	2-27-70	WR



 C BORE & CLR DRILL FOR 10 SOC. H.D.
 CAP SCR. ~ 4 HOLES (AS
 SHOWN) OR 3.063 DIA. B.C.

REF. FILE 1194

NO. REQ. = 1 PER NEXT ASSEM.
 MATL = 2024-T3 ALUM.
 FINISH = BLACK ANODIZE
 HERRING = 63/ A.O. & NOTED

N/A-2150.540E102

LIMITS ON MACHINED DIMENSIONS EXCEPT AS NOTED ANGULAR ± 1/2° LINEAR X = ± .1 .XX = ± .01 .XXX = ± .003 FRACTIONAL ± 1/32 BREAK ALL SHARP EDGES	150" STELLAR TELESCOPE		WESTERN GEAR CORPORATION HEAVY MACHINERY DIVISION EVERETT, WASHINGTON	
	DRAWN R. CHAVEZ		UPPER BEARING HOUSING	
	CHECK WR 2-27-70		PEDESTAL DRIVE ASSY	
	ENGR R 3-9-70			
APPROVED	SIZE B	CODE IDENT NO. 16603	2150.540B108	REV A
	SCALE FULL	WT. 4.0 LB	SHEET 1 OF 1	

BOLLER & CHIVERS DATA: JOB 58070 NEXT ASSY. E-31065 B-31269