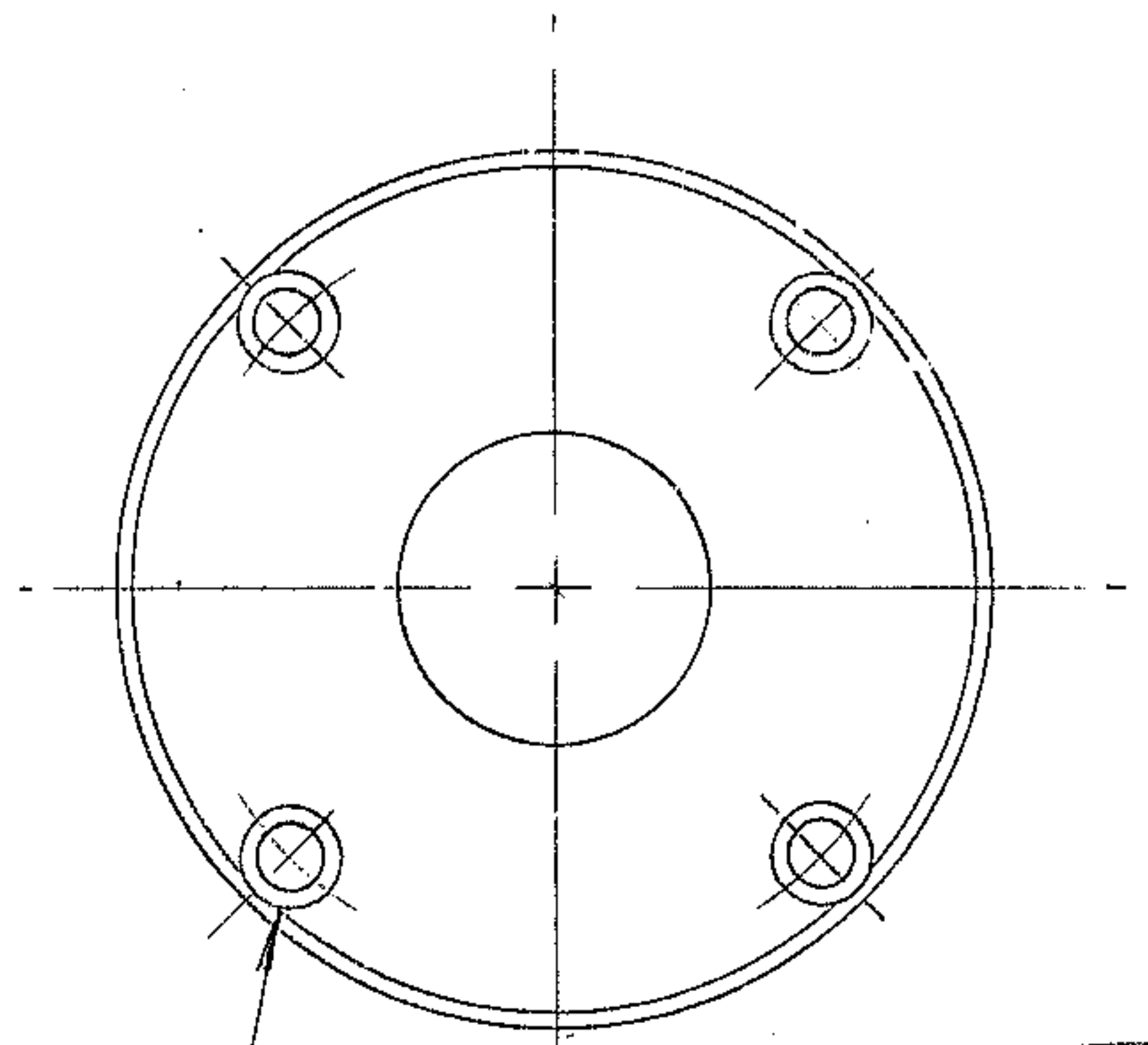
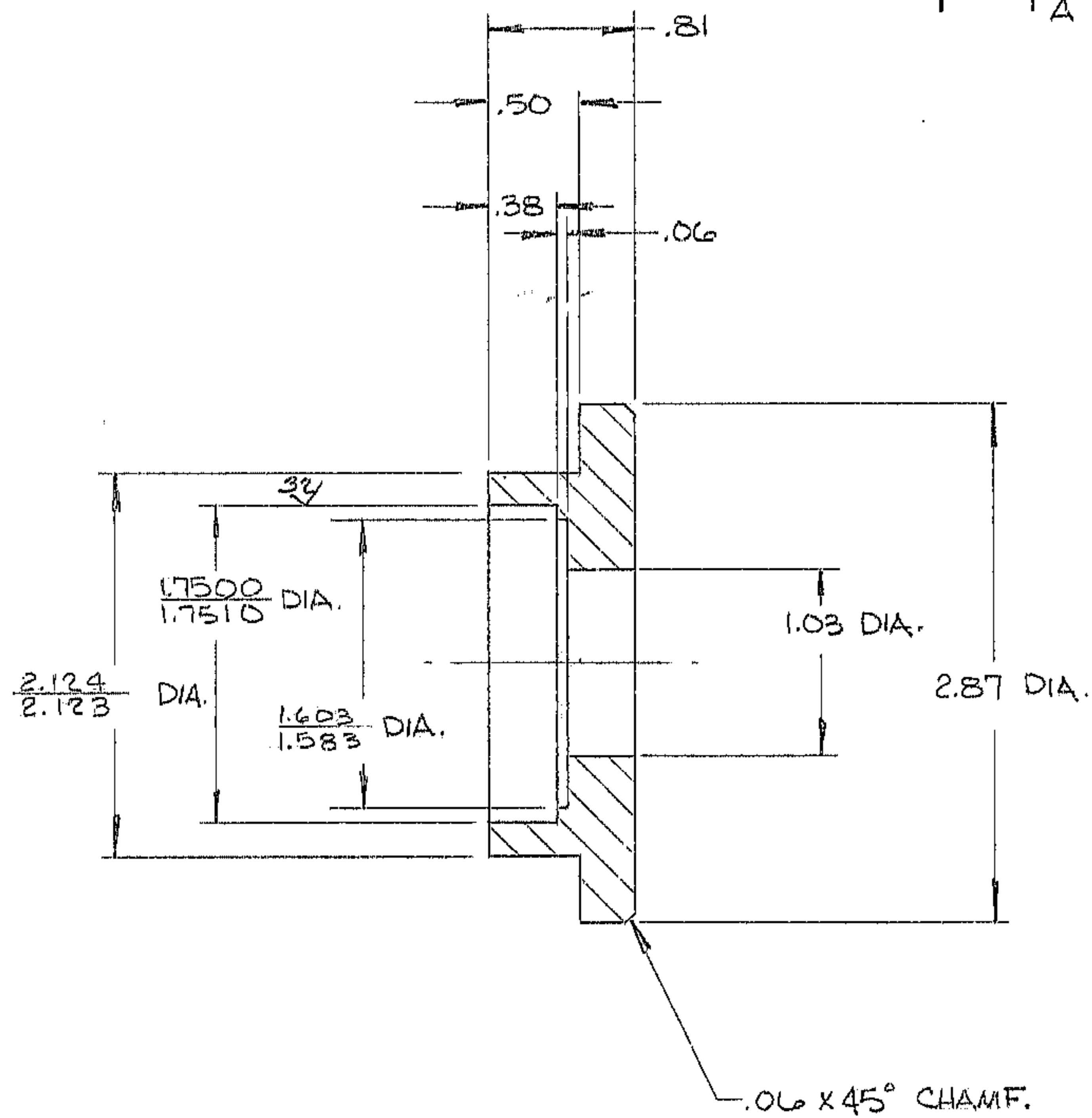
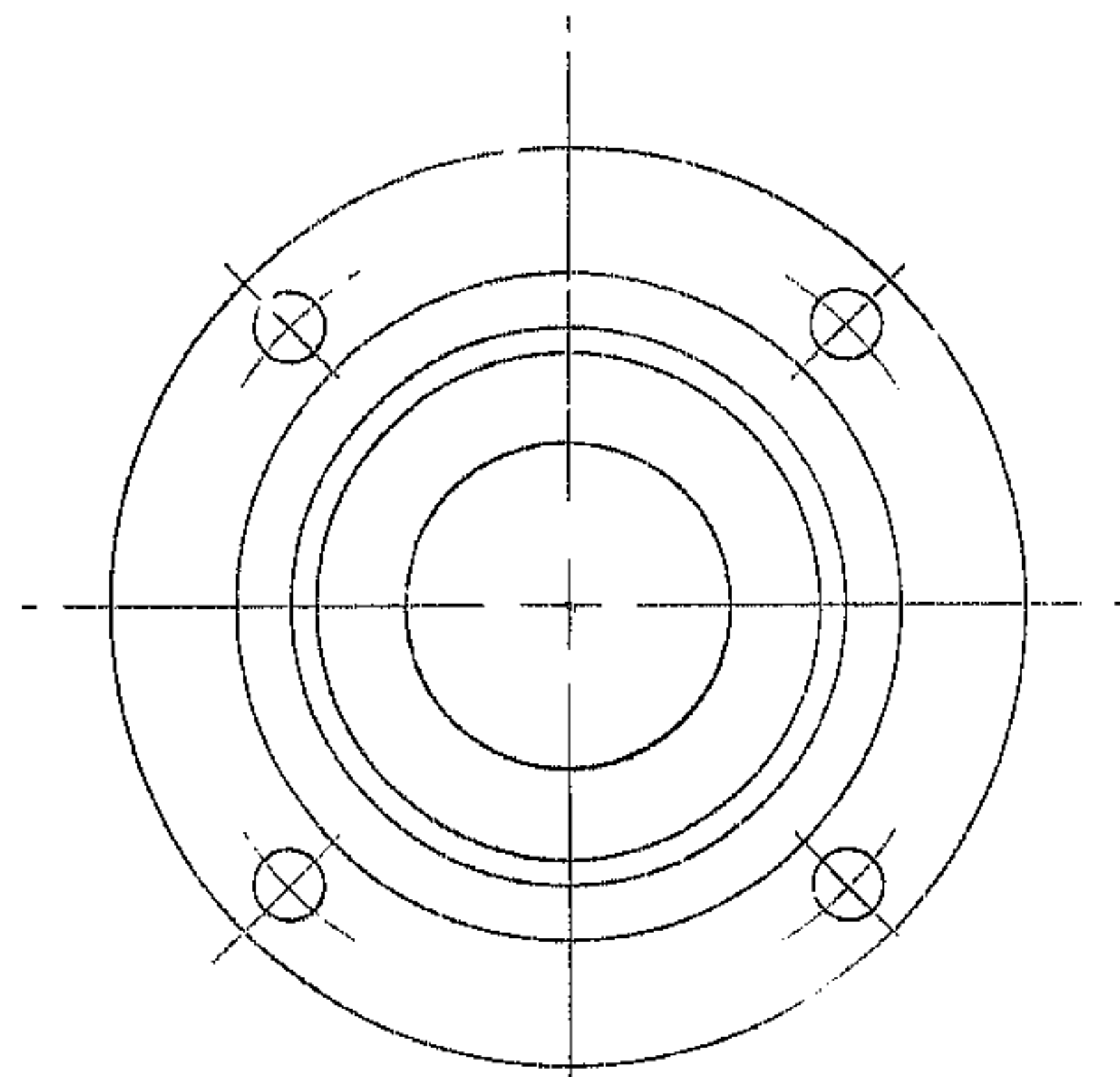


THIS DOCUMENT CONTAINS INFORMATION PROPRIETARY TO WESTERN GEAR CORPORATION. ALL DESIGN, MANUFACTURING, REPRODUCTION, USE, PATENT, AND SALES RIGHTS REGARDING THE SAME ARE HEREBY EXPRESSLY RESERVED BY WESTERN GEAR CORPORATION. THIS DOCUMENT IS SUBMITTED FOR REFERENCE PURPOSES ONLY AND SHALL NOT BE DISCLOSED TO ANY UNAUTHORIZED PERSON OR INCORPORATED INTO ANY OTHER PROJECT.

REVISIONS				
ZONE	LTR	DESCRIPTION	DATE	APPROVED
A		REVISED PER AURA REQ.	2-27-70	WR



REF. FILE 1194

CLR DRILL & CORE FOR #10 SOC. HD. CAP SCR. - 4 HOLES EQ. SP. ON 2.500 DIA. B.C.
 NO. REQ. = 1 PER NEXT ASSEM.
 MATL = HT 416 ST. STL
 FINISH = ARMC0 BLACK
 HT-TRY = 63/ A.O. & NOTED

N/A-2150.540E102

LIMITS ON MACHINED DIMENSIONS EXCEPT AS NOTED
 ANGULAR ± 1/2°
 LINEAR
 X = ± .1
 XX = ± .05, .01
 XXX = ± .010, .003
 FRACTIONAL ± 1/32
 BREAK ALL SHARP EDGES

150" STELLAR TELESCOPE
 DRAWN R. CHAVEZ 3-27-69
 CHECK WR 2-27-70
 ENGR [Signature] 3-9-70
 APPROVED

WESTERN GEAR CORPORATION HEAVY MACHINERY DIVISION
 EVERETT, WASHINGTON

LOWER BEARING HOUSING
 PEDESTAL DRIVE ASS'Y

SIZE	CODE IDENT NO.	REV
B	16603 2150.540B107	A

SCALE FULL WT. 32 LB SHEET 1 OF 1