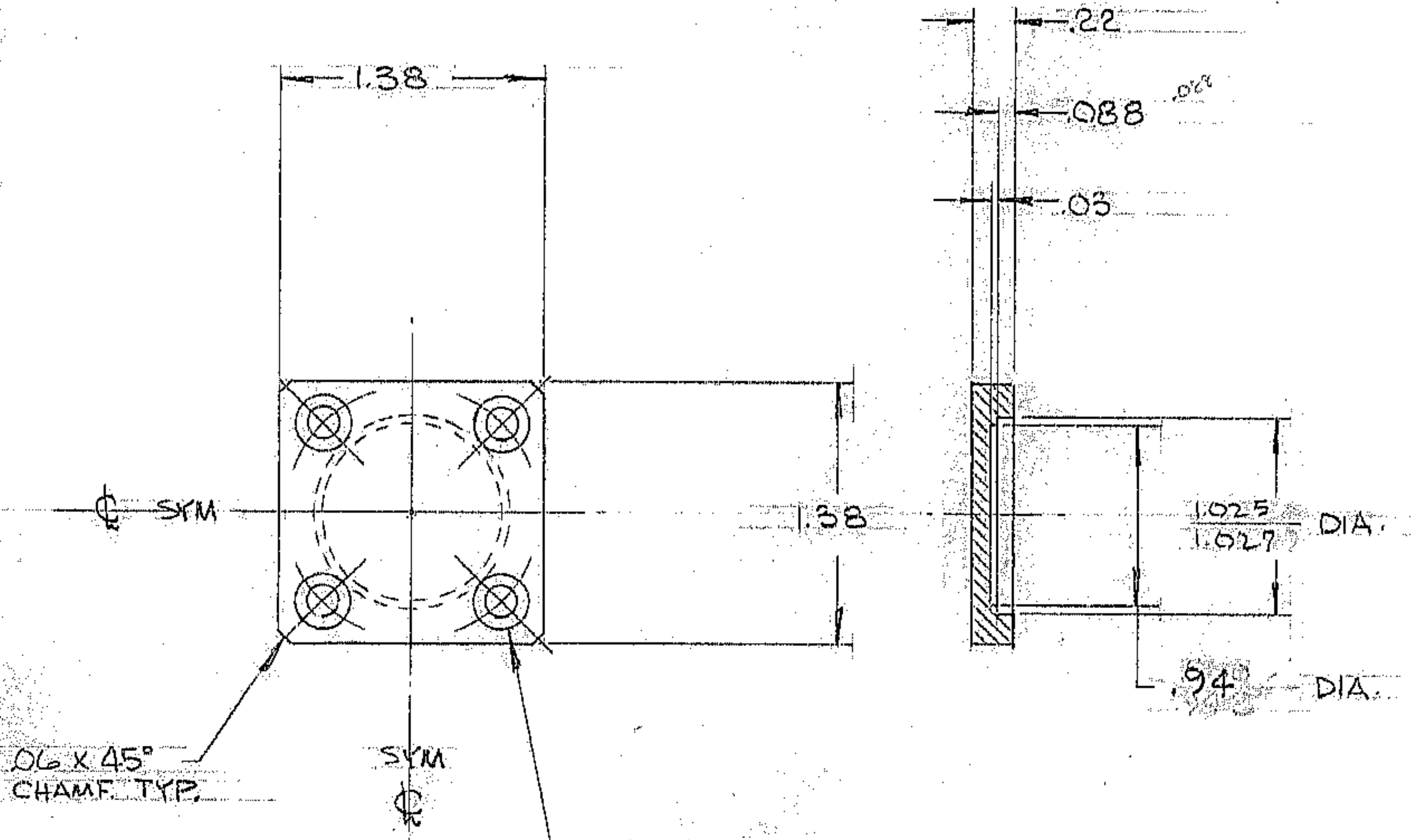


REVISIONS

LTR	DESCRIPTION	DATE	APPROVED
A	REVISED PER AURA REQ	2-27-70	WTR



CLR DRILL & CBORE .06 DP.
FOR #8 SOC. HD CAP SCR. ~
4 HOLES EQ. SP. ON 1.305 DIA. B.C.

REF. FILE 1194

NO. REQ. - PER NEXT ASSEM.
MATERIAL - 2024-T3 ALUM
FINISH - BLACK ANODIZE
HT-TTT - 3 AO

N/A-2150.540E102

LIMITS ON MACHINED DIMENSIONS EXCEPT AS NOTED
ANGULAR $\pm \frac{1}{2}^\circ$
LINEAR
X = $\pm .1$
XX = $\pm .03 .01$
XXX = $\pm .010 .003$
FRACTIONAL $\pm 1/32$
BREAK ALL SHARP EDGES

150" STELLAR TELESCOPE
DRAWN R. CHAVEZ 3-27-69
CHECK WTR 2-20-70
ENGR [Signature] 3-9-70
APPROVED

WESTERN GEAR CORPORATION HEAVY MACHINERY DIVISION
EVERETT, WASHINGTON

BEARING CAP
PEDESTAL DRIVE ASSY

SIZE	CODE IDENT NO.	REV
A	16603	A

2150.540A110

SCALE FULL WT. .03 LB SHEET OF