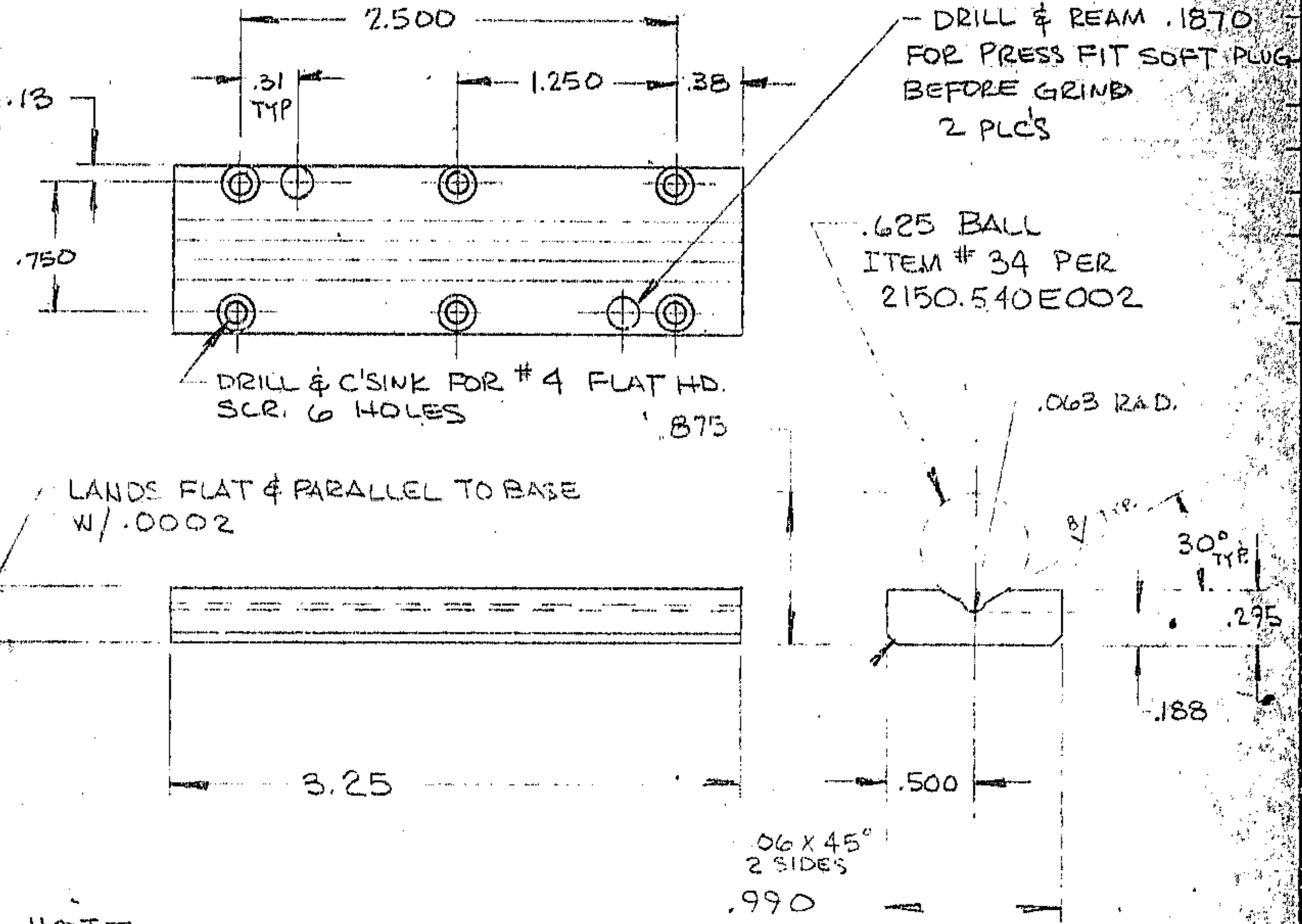


REVISIONS

LTR	DESCRIPTION	DATE	APPROVED
A	REVISED PER AURA REQ	3-5-70	WR



NOTE:
 1) GRIND $\sqrt{16}$ A.O. & NOTED

1194

NO. REQ. - 2 PER NEXT ASSEM.
 MATL. - SAE 52100 STL.
 FINISH -
 HT. TRT. - Rc 60-65

N/A-2150.540E002

LIMITS ON MACHINED DIMENSIONS EXCEPT AS NOTED
 ANGULAR $\pm 1/2^\circ$
 LINEAR
 X = $\pm .1$
 XX = $\pm .03 .01$
 XXX = $\pm .010 .003$
 FRACTIONAL $\pm 1/32$
 BREAK ALL SHARP EDGES

150" STELLAR TELESCOPE
 DRAWN Z. CHAVEZ 4-23-69
 CHECK WR 3-9-70
 ENGR [Signature] 2-9-70
 ORIGINAL
 APPROVED

WESTERN GEAR CORPORATION HEAVY MACHINERY DIVISION EVERETT, WASHINGTON

DEFINING BALL PLATE
 PRIME FOCUS PEDESTAL ASSY

SIZE	CODE IDENT NO.	REV
A	16603	A

SCALE FULL WT - - LB SHEET 1 OF 1