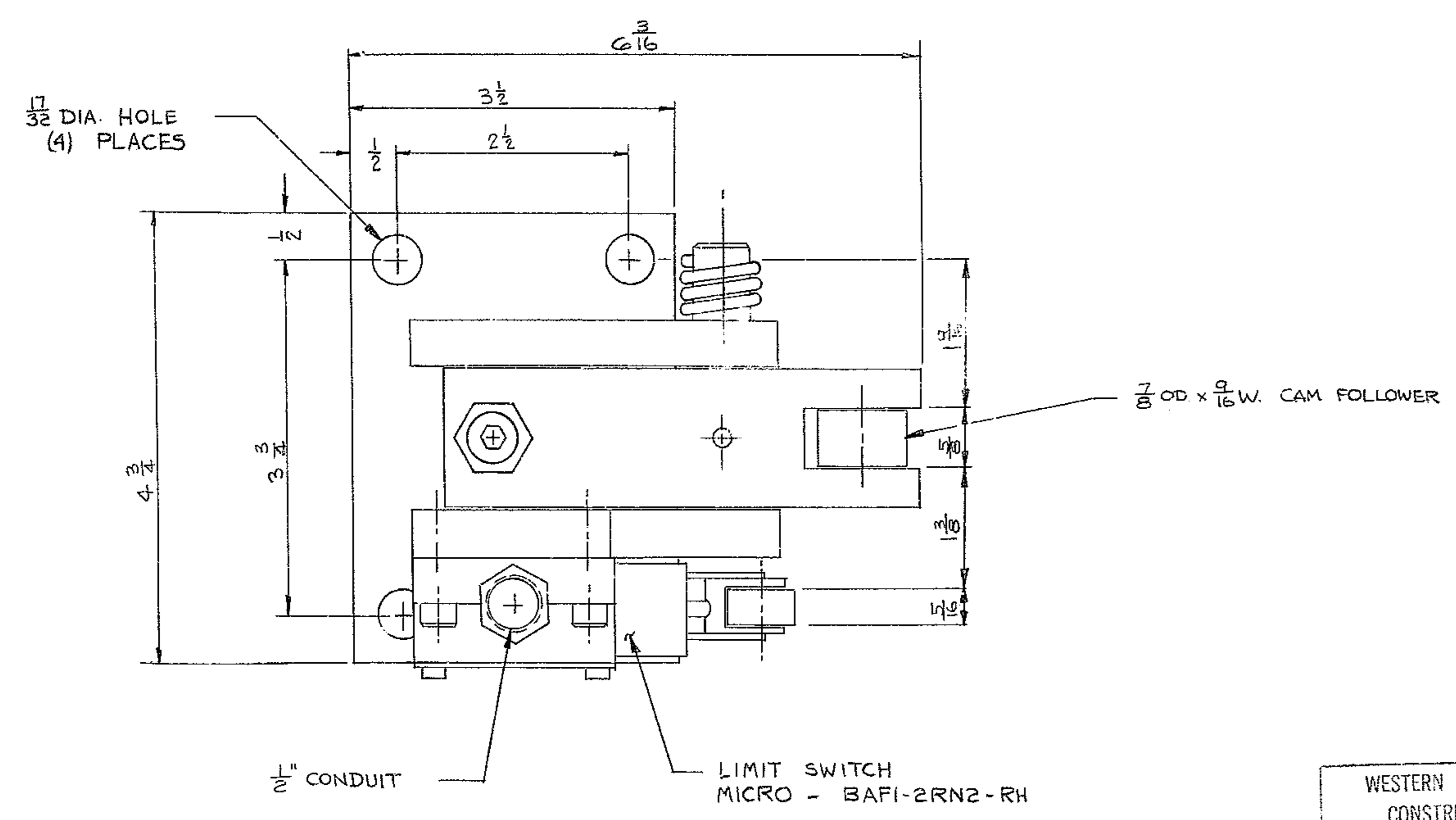
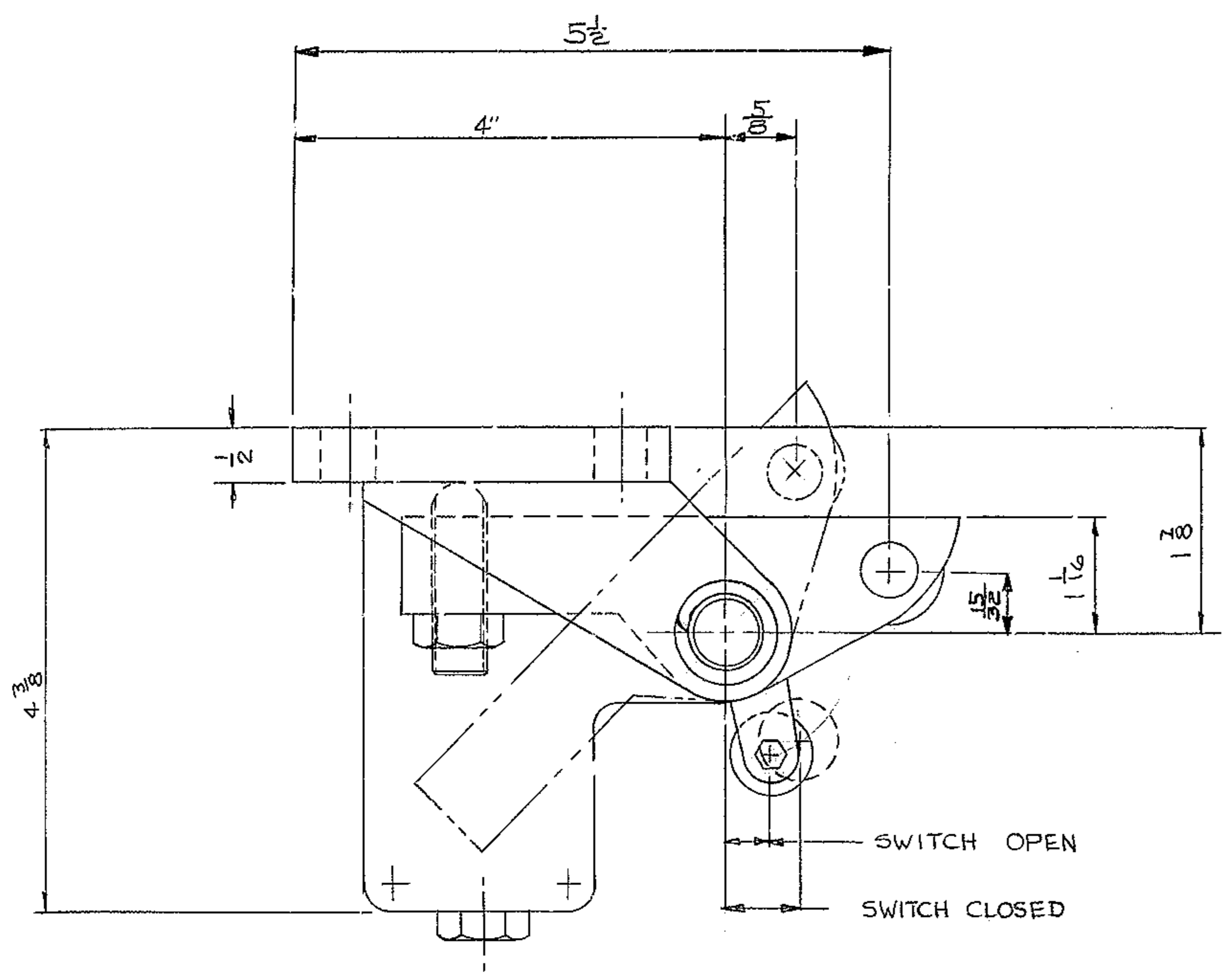


THIS DOCUMENT CONTAINS INFORMATION PROPRIETARY TO WESTERN GEAR CORPORATION. ALL DESIGN, MANUFACTURING, REPRODUCTION, USE, PATENT AND SALES RIGHTS REGARDING THE SAME ARE HEREBY EXPRESSLY RESERVED BY WESTERN GEAR CORPORATION. THIS DOCUMENT IS SUBMITTED FOR REFERENCE PURPOSES ONLY AND SHALL NOT BE DISCLOSED TO ANY UNAUTHORIZED PERSON OR INCORPORATED INTO ANY OTHER PROJECT.

REVISIONS				
ZONE	LTR	DESCRIPTION	DATE	APPROVED
	A	INITIAL RELEASE	7-DEC-69	



WESTERN GEAR CORPORATION
 CONSTRUCTION PROJECTS
 DEPARTMENT
 APPROVED FOR
 PROCUREMENT
 G Russo DATE 12/26/69

NEXT ASSY: 2150.500E001 (WGN102801)

FIND NO.	PART NO.	DESCRIPTION	QTY	MATERIAL	CODE IDENT
LIST OF MATERIAL (LM)					
LIMITS ON MACHINED DIMENSIONS EXCEPT AS NOTED		150" STELLAR TELESCOPE MOUNTING		WESTERN GEAR CORPORATION	
ANGULAR = ± 1° 0'		DRAWN SJÖGREN 25 AUG 69		HEAVY MACHINERY DIVISION EVERETT, WASHINGTON	
LINEAR:		CHECK ENGR		OUT LINE	
X = ± .1	XXX = ± .010	30 SEP 69		LIMIT SWITCH ASSY	
XX = ± .03	FRACTIONAL = ± 1/32			UPPER RING GIRDER ASSY	
BREAK ALL SHARP EDGES					
MATERIAL		WG D 300 291		SIZE CODE IDENT NO. REV	
		APPROVED		D 16603 2150.530D601 A	
		SCALE 1/1		WT — LB SHEET 1 OF 1	

1193