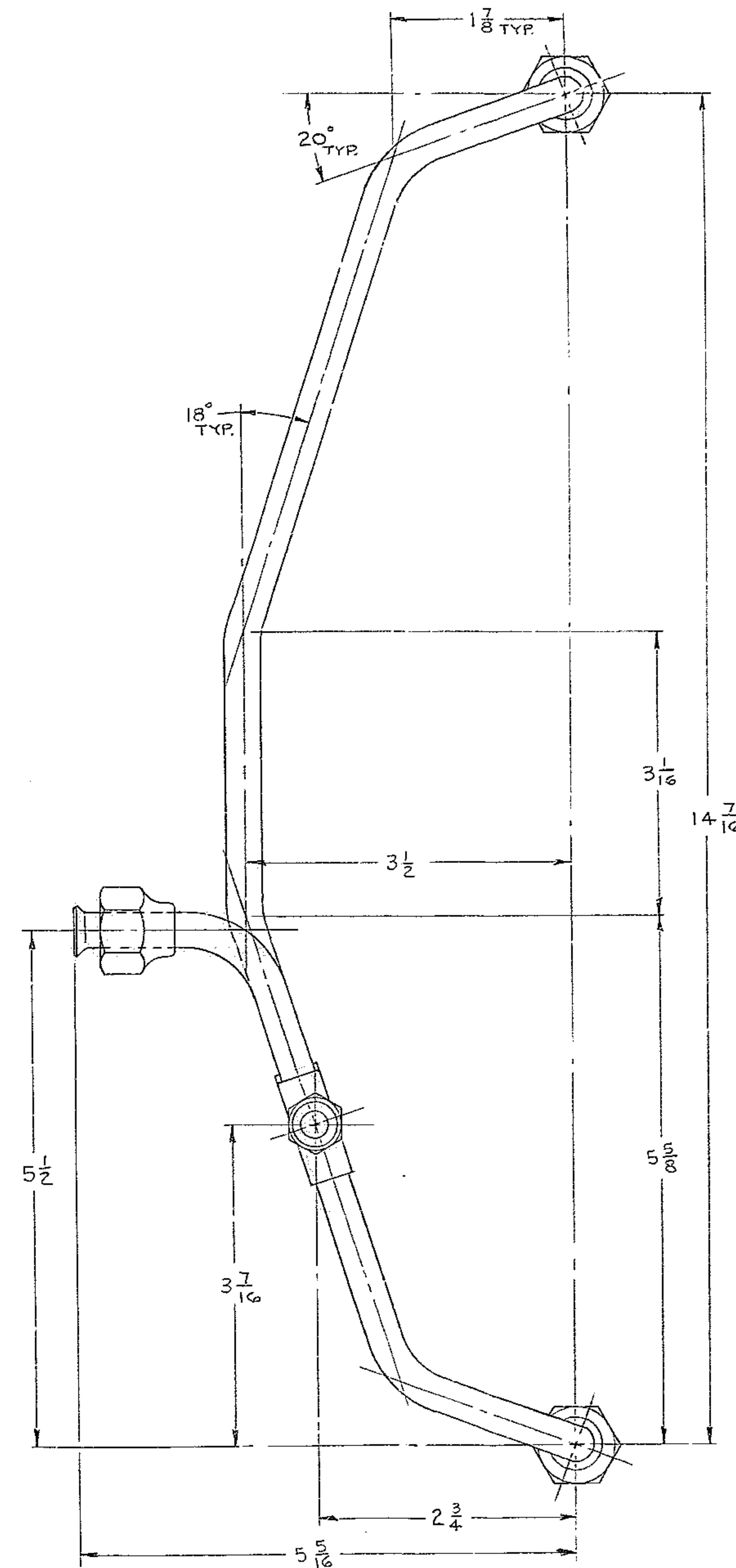
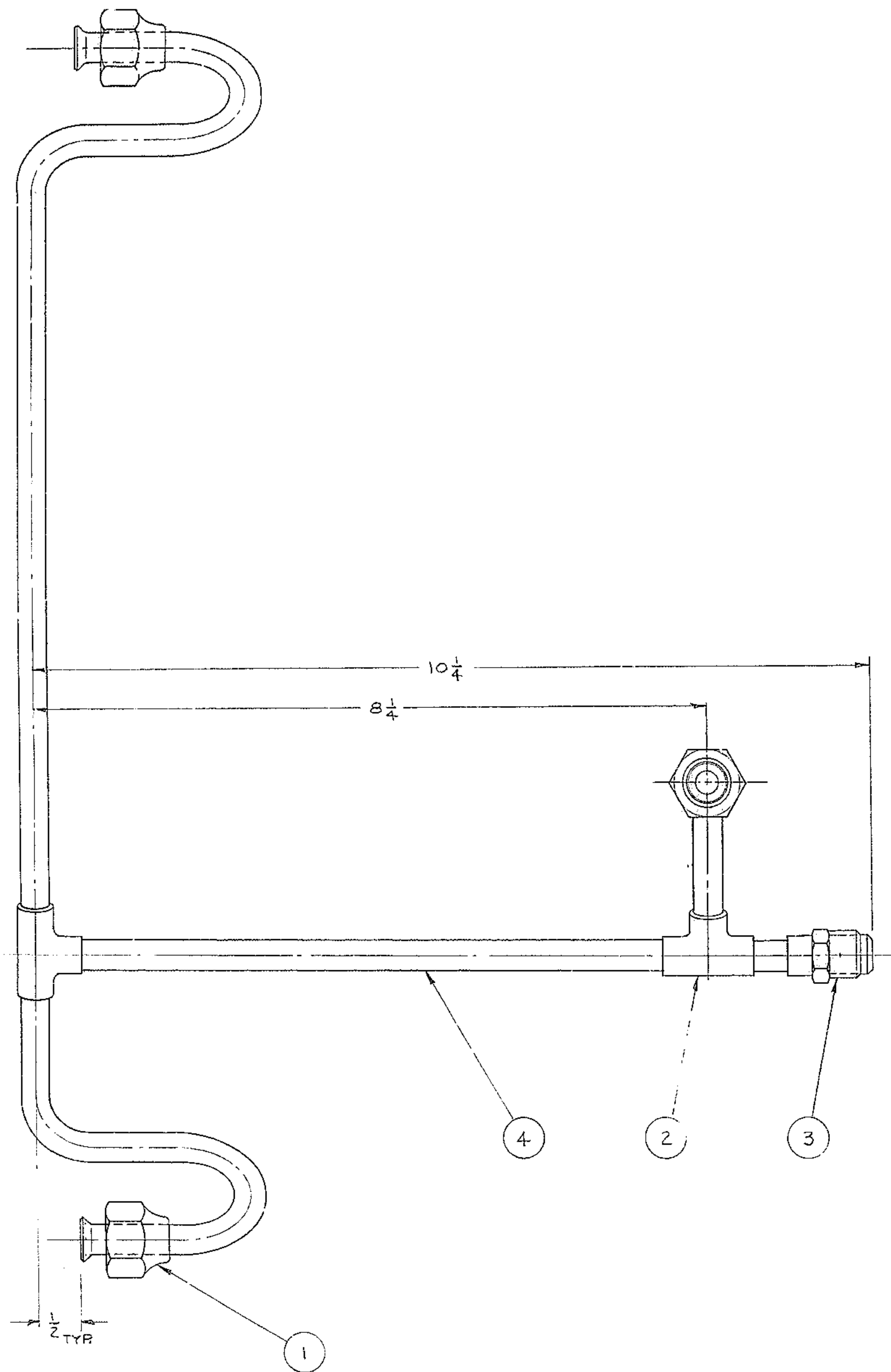


BILL OF MATERIAL

ITEM	QTY.	MATERIAL	DESCRIPTION	WEIGHT
------	------	----------	-------------	--------



- NOTES:
- 6. FOR B/M SEE 2150.530-A340
  - 5. ALL BEND RADII  $\frac{15}{16}$
  - 4. IDENTIFY BY \_\_\_\_\_ AT LOCATION 4, "AURA INC. MADE IN U.S.A."
  - 3. STAMP MATCH MARKS ON ALL MATING PARTS WHERE NECESSARY.
  - 2. PROJECT DRAWINGS \_\_\_\_\_
  - 1. FOR NEXT ASSY. SEE 2150.530-E302

<p><b>TOLERANCES UNLESS OTHERWISE NOTED</b></p> <p>DECIMAL DIMENSIONS 00.00 ± .010 00.000 ± .003</p> <p>FRACTIONAL DIMENSIONS UP TO 18' ± 1/64 18' TO 50' ± 1/32 50' &amp; OVER ± 1/16</p> <p>BREAK SHARP EDGES _____</p> <p>ALL SURFACES 125/ TO HAVE ✓ FINISH UNLESS OTHERWISE NOTED.</p>		<p><b>KITT PEAK NATIONAL OBSERVATORY</b></p> <p>OPERATED BY THE ASSOCIATION OF UNIVERSITIES FOR RESEARCH IN ASTRONOMY, INC. UNDER CONTRACT WITH NATIONAL SCIENCE FOUNDATION</p>	
		<p>150 INCH TELESCOPE</p>	<p>REF. FILE 1193</p>
		<p>NAME PIN RETRACT MANIFOLD- SECONDARY FLIP LOCK ASSY.</p>	<p>SCALE FULL PRINT ISSUED</p>
		<p>DESIGNED BY DATE APPROVED BY DATE DRAWN BY DATE APPROVED BY DATE CHECKED BY DATE APPROVED BY DATE</p>	<p>DRAWING NUMBER 2150.530-D340</p>
LET.	REVISION	ECR	DATE BY