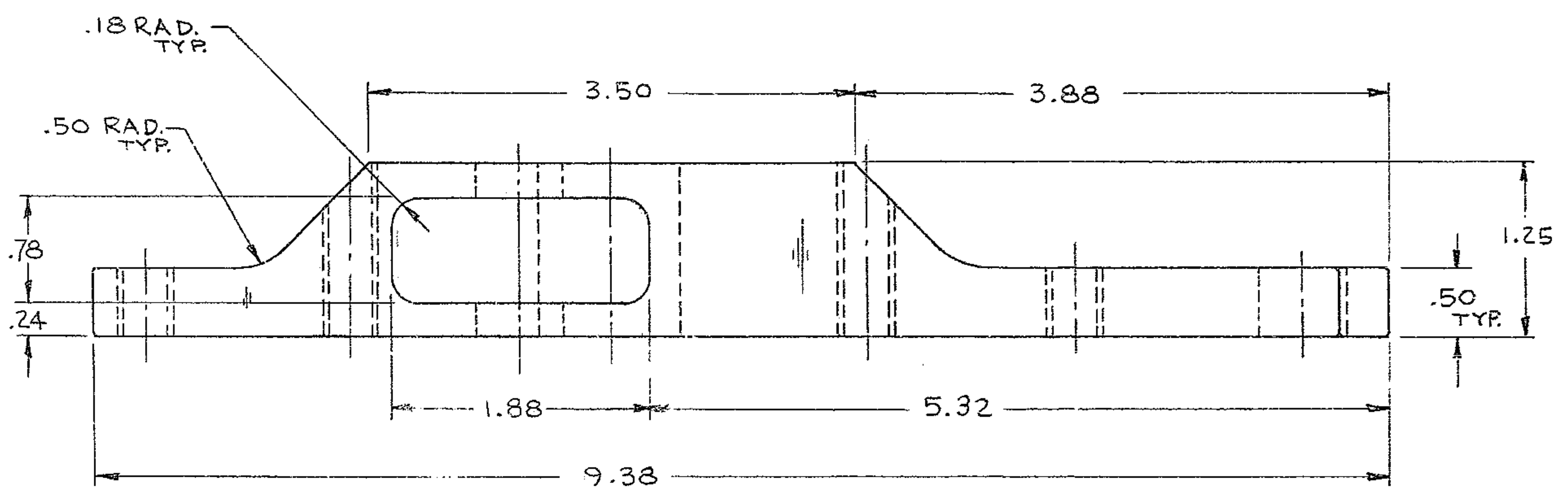
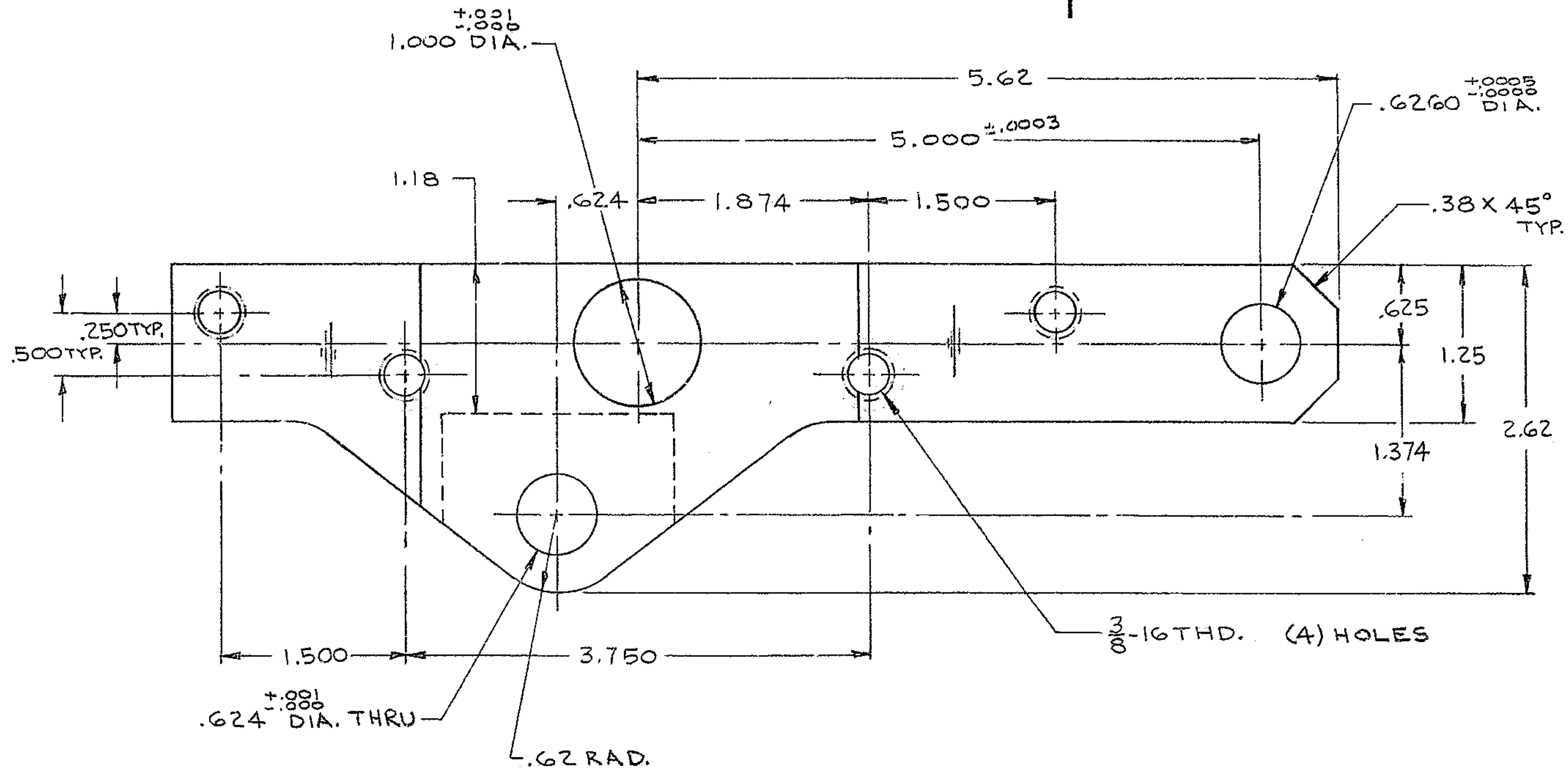


BILL OF MATERIAL

ITEM	QTY.	MATERIAL	DESCRIPTION	WEIGHT
------	------	----------	-------------	--------



MATERIAL: C1018 STEEL
 FINISH: CAD PLATE (ALL DIM. TO BE HELD AFTER PLATING)

FOR ASSEMBLY SEE 2150.530E 302

				TOLERANCES UNLESS OTHERWISE NOTED DECIMAL DIMENSIONS 00.00 ± .010 00.000 ± .003 FRACTIONAL DIMENSIONS UP TO 18" ± 1/64 18" TO 50" ± 1/32 50" & OVER ± 1/16 BREAK SHARP EDGES $\sqrt{32}$ ALL SURFACES TO HAVE $\sqrt{125}$ FINISH UNLESS OTHERWISE NOTED.				KITT PEAK NATIONAL OBSERVATORY OPERATED BY THE ASSOCIATION OF UNIVERSITIES FOR RESEARCH IN ASTRONOMY, INC. UNDER CONTRACT WITH NATIONAL SCIENCE FOUNDATION			
				150 INCH STELLAR TELESCOPE				REF. FILE 1193			
				NAME ARM, R.H. ROCKER - SECONDARY FLIP LOCK ASSY.				SCALE FULL			
								PRINT ISSUED			
				DESIGNED BY 8/13/70		APPROVED BY ZKR		DATE 8-14-70			
				DRAWN BY 1/13/70		APPROVED BY A.A.		DATE 8-13-70			
				CHECKED BY 8-24-70		APPROVED BY J.W.		DATE 8-13-70			
A AS BUILT CHANGE				0620 3/21/71		4-171		LB.			
LET.	REVISION	ECR	DATE	BY	DRAWING NUMBER 2150.530C318		REV. A				