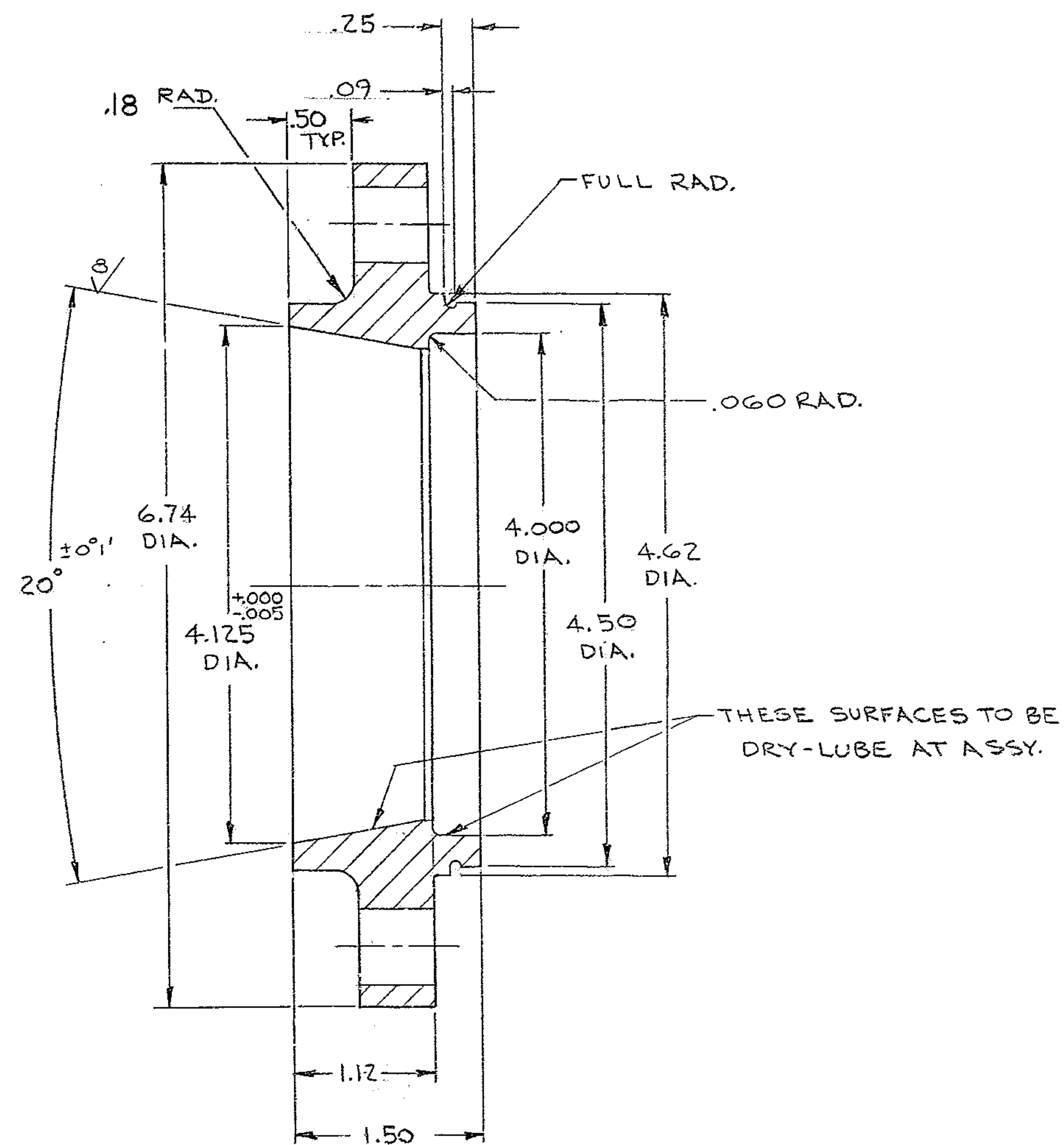
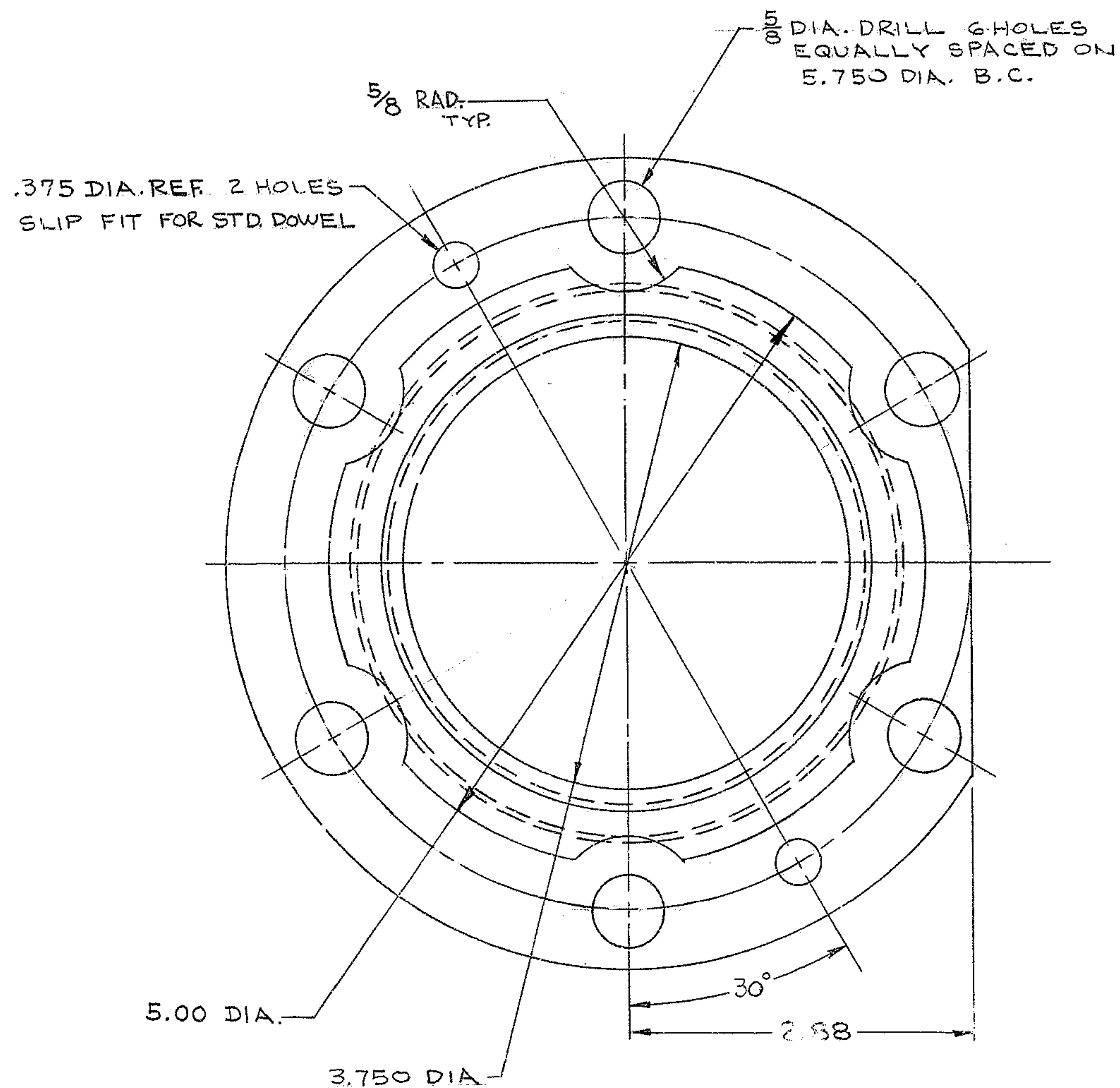


BILL OF MATERIAL

| ITEM | QTY. | MATERIAL | DESCRIPTION | WEIGHT |
|------|------|----------|-------------|--------|
|------|------|----------|-------------|--------|



MATERIAL: CARPENTER TOOL STEEL
 HARDEN & DRAW R/C 60-62
 FINISH: HARD CHROME .0003-.0005

FOR ASSEMBLY SEE 2150.530 E 302

| TOLERANCES UNLESS OTHERWISE NOTED | | | | KITT PEAK NATIONAL OBSERVATORY | | | |
|---|-------------------|------|----------|---|------|----|------|
| DECIMAL DIMENSIONS | | | | OPERATED BY THE ASSOCIATION OF UNIVERSITIES FOR RESEARCH IN ASTRONOMY, INC. | | | |
| 00.00 ± .010 | | | | UNDER CONTRACT WITH NATIONAL SCIENCE FOUNDATION | | | |
| 00.000 ± .003 | | | | 150 INCH STELLAR TELESCOPE | | | |
| FRACTIONAL DIMENSIONS | | | | NAME RECEPTACLE, INNER RING - SECONDARY FLIP LOCK ASSY. | | | |
| UP TO 18° ± 1/64 | | | | REF. FILE 1193 | | | |
| 18° TO 50° ± 1/32 | | | | SCALE FULL | | | |
| 50° & OVER ± 1/16 | | | | PRINT ISSUED | | | |
| BREAK SHARP EDGES 1/64 | | | | DESIGNED BY | | | |
| ALL SURFACES TO HAVE 125 FINISH UNLESS OTHERWISE NOTED. | | | | DATE 4-14-70 | | | |
| | | | | APPROVED BY | | | |
| | | | | DATE 8-15-70 | | | |
| | | | | APPROVED BY | | | |
| | | | | DATE 8-19-70 | | | |
| | | | | APPROVED BY | | | |
| | | | | DATE | | | |
| | | | | DRAWING NUMBER | | | |
| | | | | 2150.530-C315 | | | |
| | | | | REV. B | | | |
| LET. | REVISION | ECR | DATE | BY | DATE | BY | DATE |
| | B ADDED 3.750 DIA | 0821 | 11-27-72 | 184 | | | |
| | A AS BUILT CHANGE | 0592 | 12/18/76 | 184 | | | |