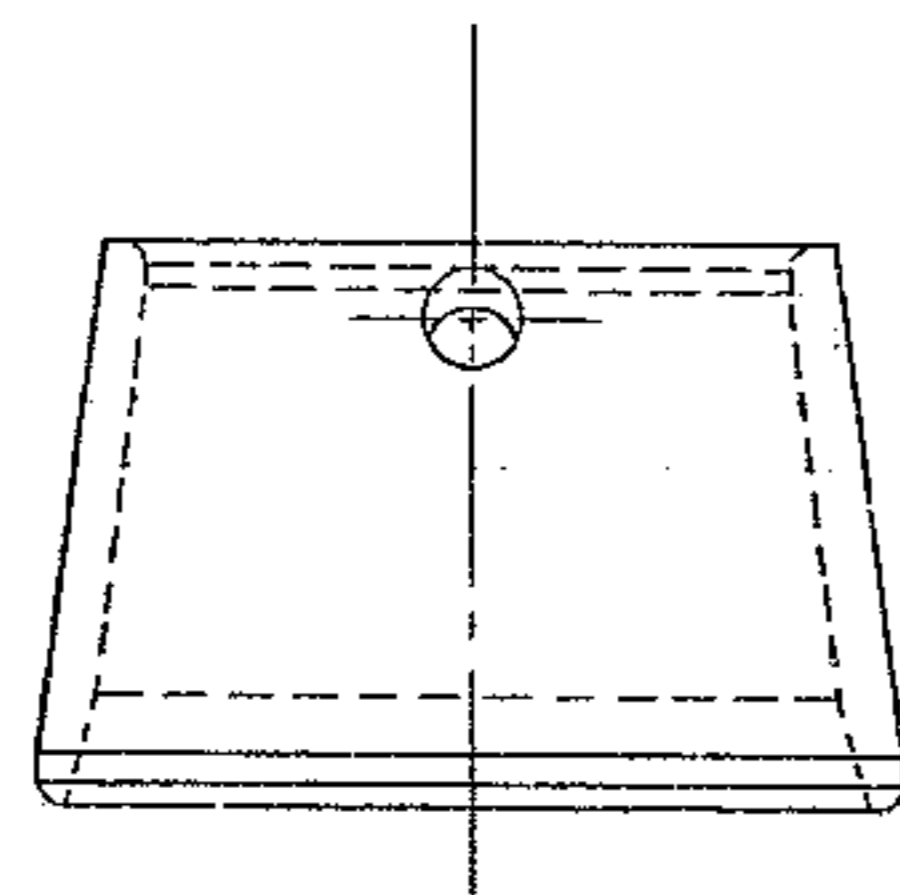
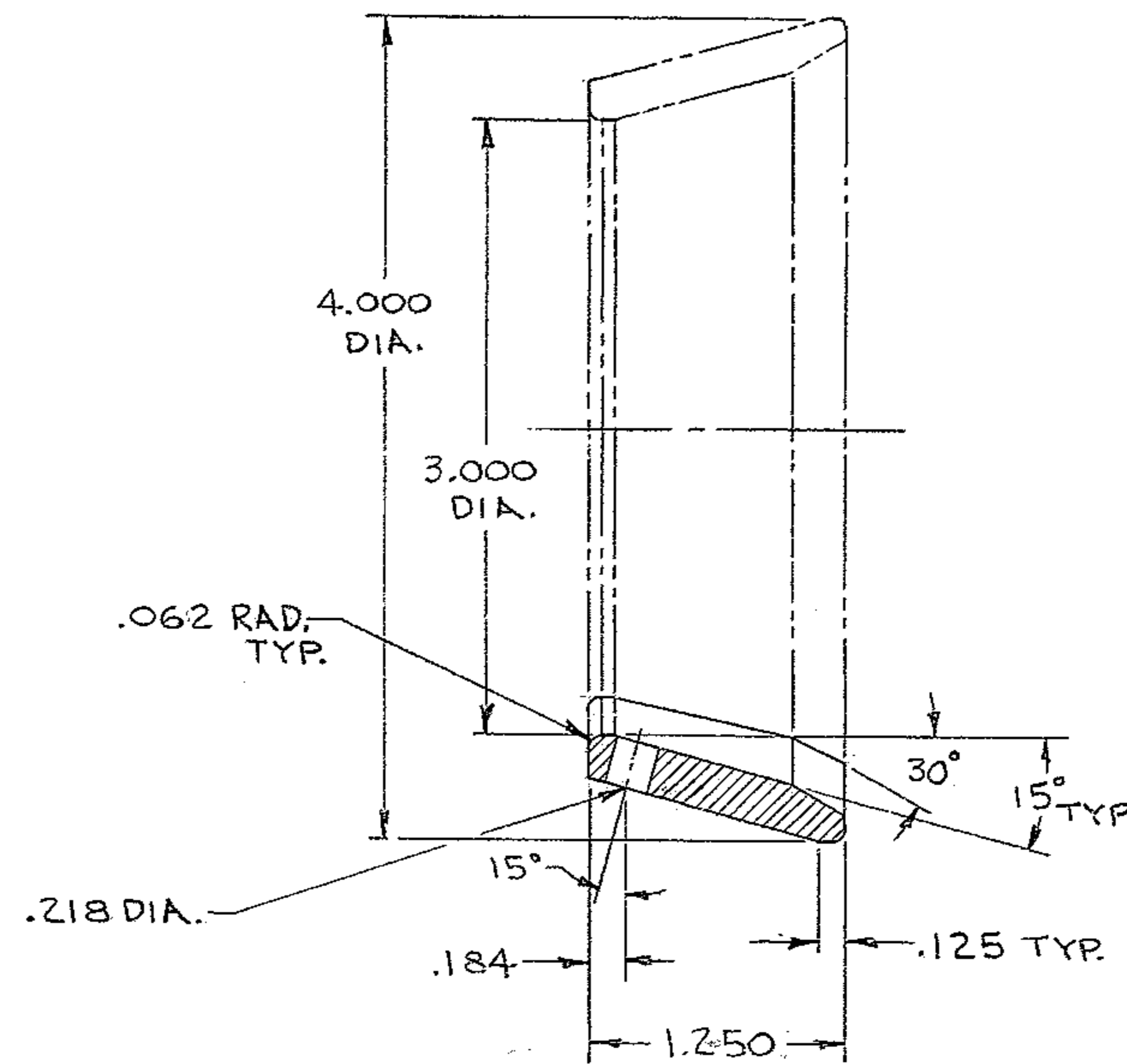
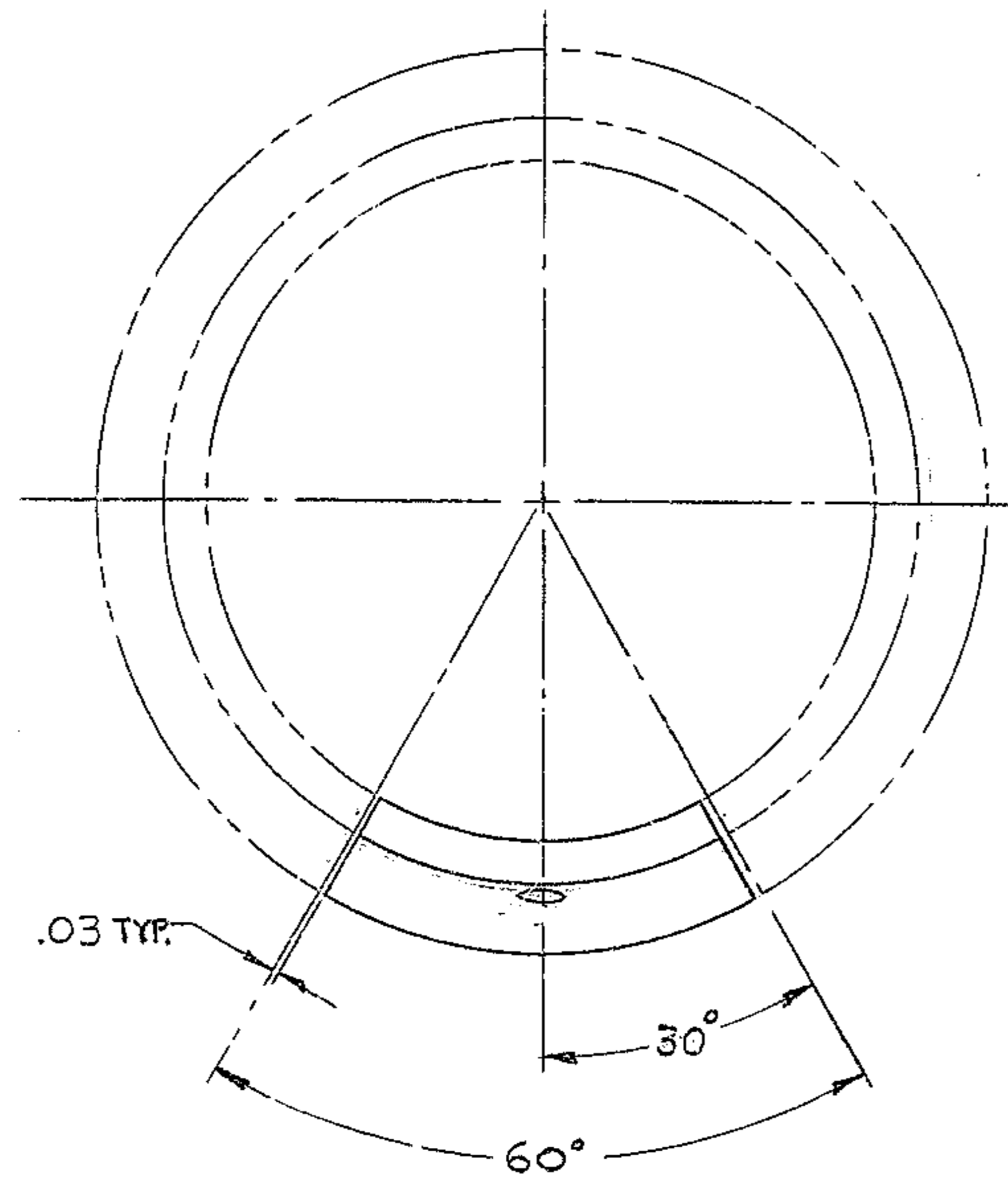


BILL OF MATERIAL

ITEM	QTY.	MATERIAL	DESCRIPTION	WEIGHT
------	------	----------	-------------	--------



MATERIAL: AISI - SAE O2 OIL HARDENING TOOL STEEL
 HARDEN & DRAW R/C 60-62 (VAPOR HONE SCALE)
 FINISH: HARD CHROME .0003-0005 & DRY-LUBE ALL OVER.

FOR ASSEMBLY SEE 2150.530 E 302

TOLERANCES UNLESS OTHERWISE NOTED					KITT PEAK NATIONAL OBSERVATORY					
DECIMAL DIMENSIONS 00.00 ± .010 00.000 ± .003					OPERATED BY THE ASSOCIATION OF UNIVERSITIES FOR RESEARCH IN ASTRONOMY, INC. UNDER CONTRACT WITH NATIONAL SCIENCE FOUNDATION					
FRACTIONAL DIMENSIONS UP TO 18' ± 1/64 18' TO 50' ± 1/32 50' & OVER ± 1/16					150 INCH STELLAR TELESCOPE					
BREAK SHARP EDGES \checkmark 64					NAME SEGMENT, LOCKING CONE- SECONDARY FLIP LOCK ASSY.					
ALL SURFACES 125' FINISH UNLESS OTHERWISE NOTED.					REF. FILE 1193					
					SCALE FULL					
					PRINT ISSUED					
B	DELETED .156 GROOVE	0821	4-27-72	JBS	DESIGNED BY JBS	DATE 4-11-70	APPROVED BY ZKR	DATE 2-14-70	DRAWING NUMBER	REV.
A	AS BUILT CHANGE	0592	12/8/70	JBS	DRAWN BY JBS	DATE 6-12-70	APPROVED BY A.A.	DATE 8-13-70	2150.530C313	B
LET.	REVISION	ECR	DATE	BY	CHECKED BY JBS	DATE 8-24-70	APPROVED BY J.W.	DATE 8-13-70		