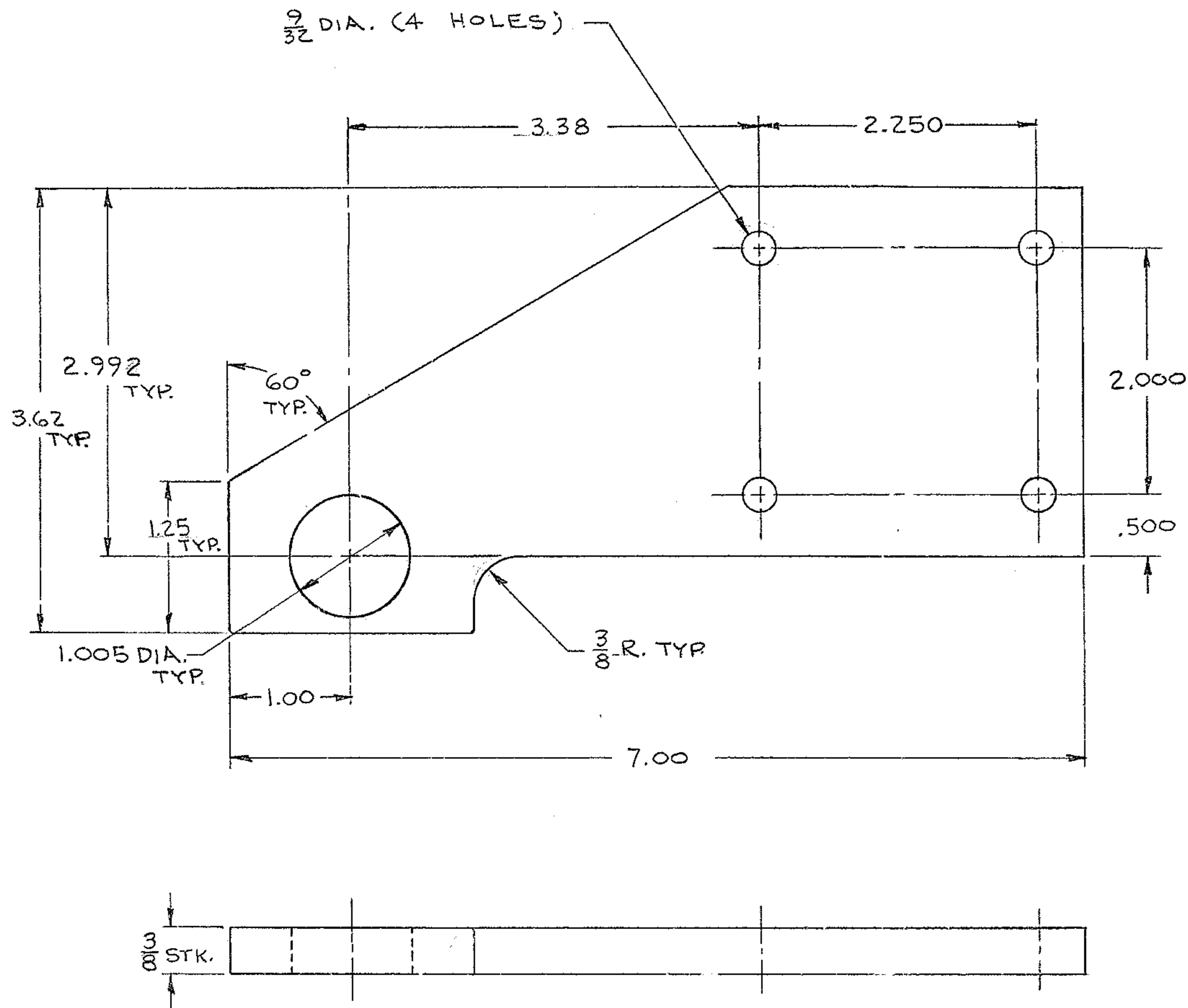


BILL OF MATERIAL

ITEM	QTY.	MATERIAL	DESCRIPTION	WEIGHT
------	------	----------	-------------	--------



MATERIAL: 6061-T6 ALUM.
FINISH: BLACK ANODIZE

FOR ASSEMBLY SEE 2150.530 E 302

<p>TOLERANCES UNLESS OTHERWISE NOTED</p> <p>DECIMAL DIMENSIONS 00.00 ± .010 00.000 ± .003</p> <p>FRACTIONAL DIMENSIONS UP TO 18" ± 1/64 18" TO 50" ± 1/32 50" & OVER ± 1/16</p> <p>BREAK SHARP EDGES 1/32</p> <p>ALL SURFACES TO HAVE 125 FINISH UNLESS OTHERWISE NOTED.</p>				<p>KITT PEAK NATIONAL OBSERVATORY</p> <p>OPERATED BY THE ASSOCIATION OF UNIVERSITIES FOR RESEARCH IN ASTRONOMY, INC. UNDER CONTRACT WITH NATIONAL SCIENCE FOUNDATION</p>						
				<p>150 INCH STELLAR TELESCOPE</p> <p>NAME YOKE, CYLINDER MTG.- SECONDARY FLIPLOCK ASSY.</p>				<p>REF. FILE 1193</p> <p>SCALE FULL</p> <p>PRINT ISSUED</p>		
DESIGNED BY		DATE		APPROVED BY		DATE		DRAWING NUMBER		REV.
DRAWN BY		DATE		APPROVED BY		DATE		2150.530C 312		A
CHECKED BY		DATE		APPROVED BY		DATE				
A AS BUILT CHANGE		0592 12/8/70		1/23/70		1/23/70				
LET.	REVISION	ECR	DATE	BY						