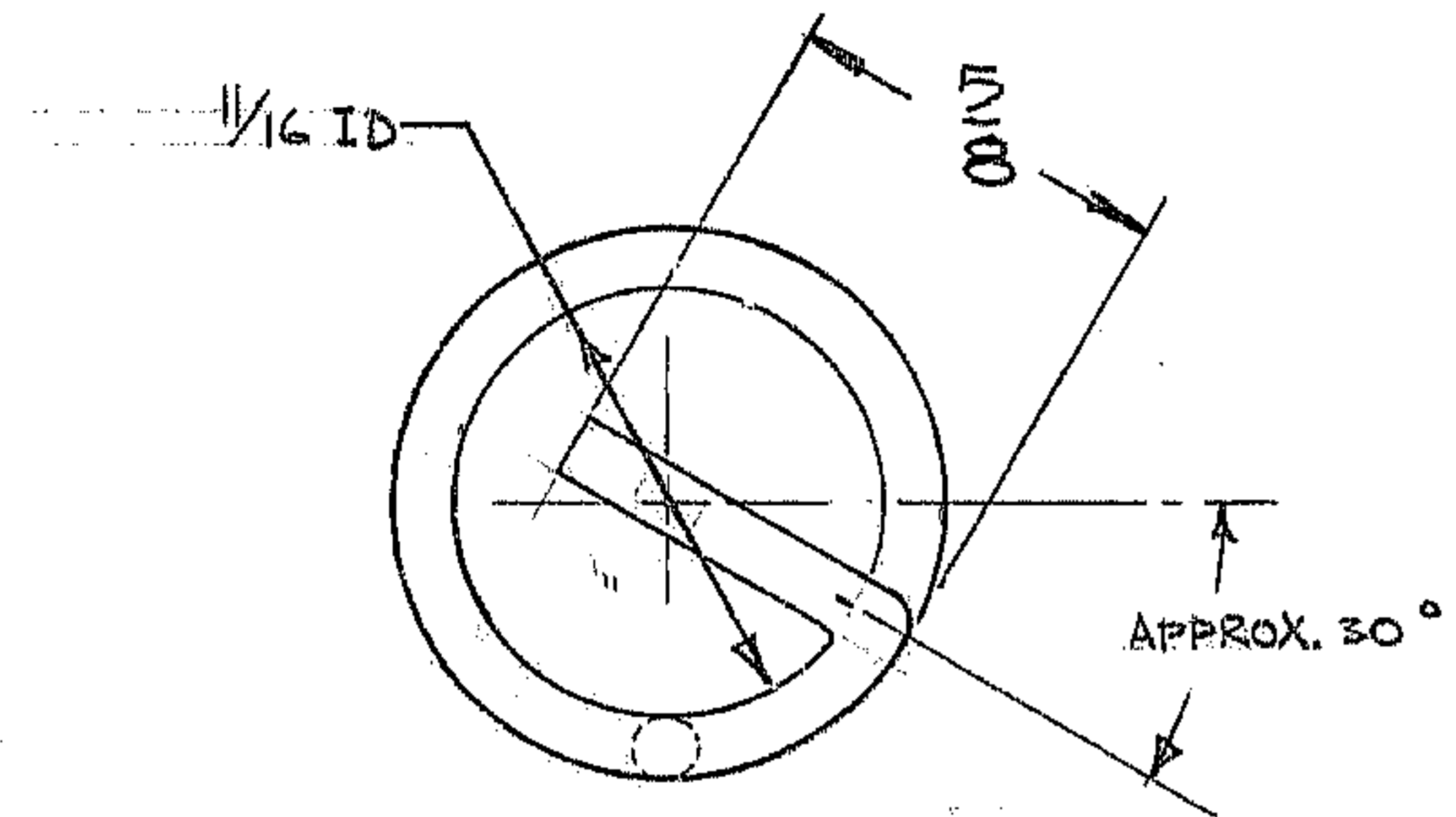


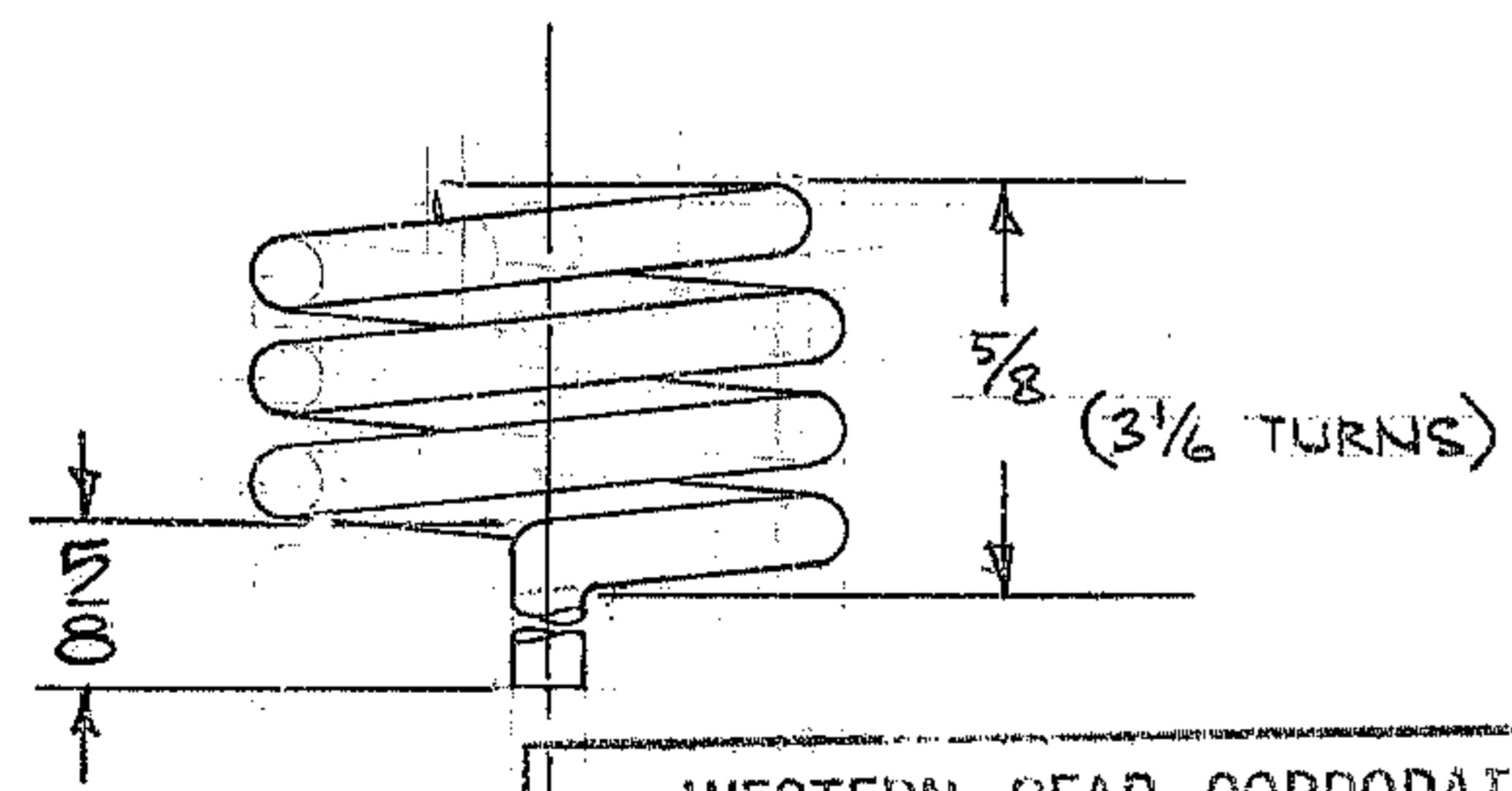
THIS DOCUMENT CONTAINS INFORMATION PROPRIETARY TO WESTERN GEAR CORPORATION. ALL DESIGN, MANUFACTURING, REPRODUCTION, USE, PATENT, AND SALES RIGHTS REGARDING THE SAME ARE HEREBY EXPRESSLY RESERVED BY WESTERN GEAR CORPORATION. THIS DOCUMENT IS SUBMITTED FOR REFERENCE PURPOSES ONLY AND SHALL NOT BE DISCLOSED TO ANY UNAUTHORIZED PERSON OR INCORPORATED INTO ANY OTHER PROJECT.

REVISIONS				
ZONE	LTR	DESCRIPTION	DATE	APPROVED
	A	INITIAL RELEASE	9-DEC-69	JF
	B	ENDS WERE 5/16 LONG	4-16-71	JW



NOTES:

- MAT'L: 10 GA (.1019 DIA) PHOSPHOR-BRONZE SPRING WIRE SAE 31
- TAG WITH P/N 2150.530 B 606.



REF. FILE 1193

WESTERN GEAR CORPORATION
CONSTRUCTION PROJECTS
DEPARTMENT
APPROVED FOR
PROCUREMENT

6 Runs DATE 12/8/69

NEXT ASSY: 2150.530 D 602 (WGD 300 290)

LIMITS ON MACHINED DIMENSIONS EXCEPT AS NOTED ANGULAR ± 1° 0' LINEAR X = ± .1 .XX = ± .03 .XXX = ± .010 FRACTIONAL ± 1/32	1.50" TELESCOPE	WESTERN HEAVY MACHINERY DIVISION GEAR CORPORATION EVERETT, WASHINGTON
	MOUNTING	
	DRAWN J. BARTLESON 7/9	TORSION SPRING
	CHECKED JF 29/SEP/69	LIMIT SWITCH ASSY
	ENGR	
	WGB300309	SIZE B CODE IDENT NO. 16603 2150.530 B 606
	APPROVED	REV B
BREAK ALL SHARP EDGES	SCALE 2/1	WT. LB SHEET 1 OF 1