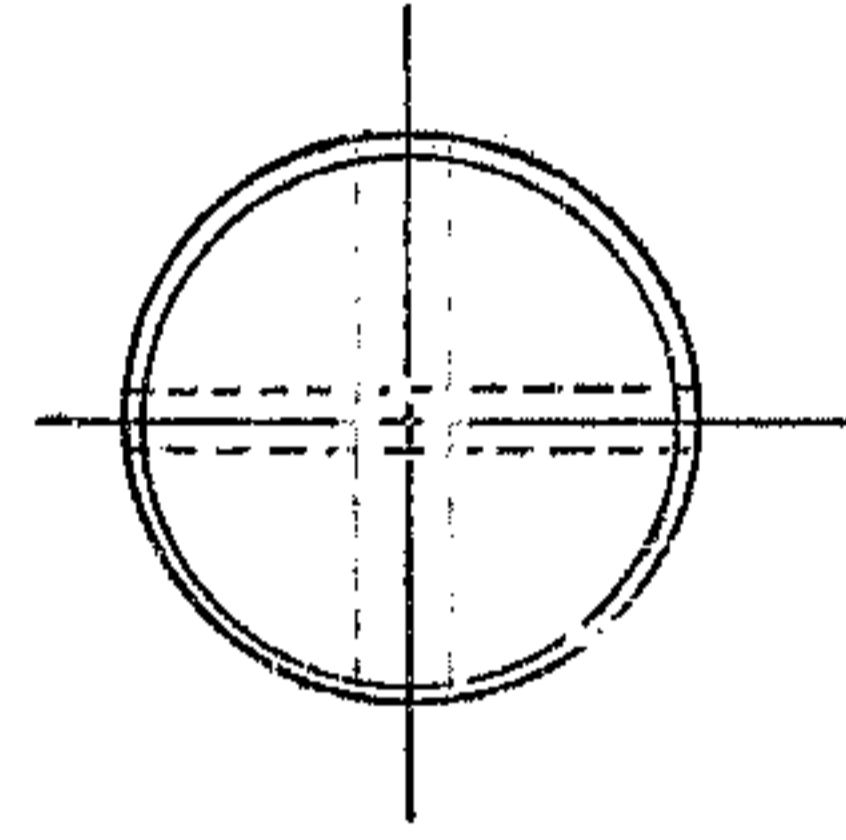
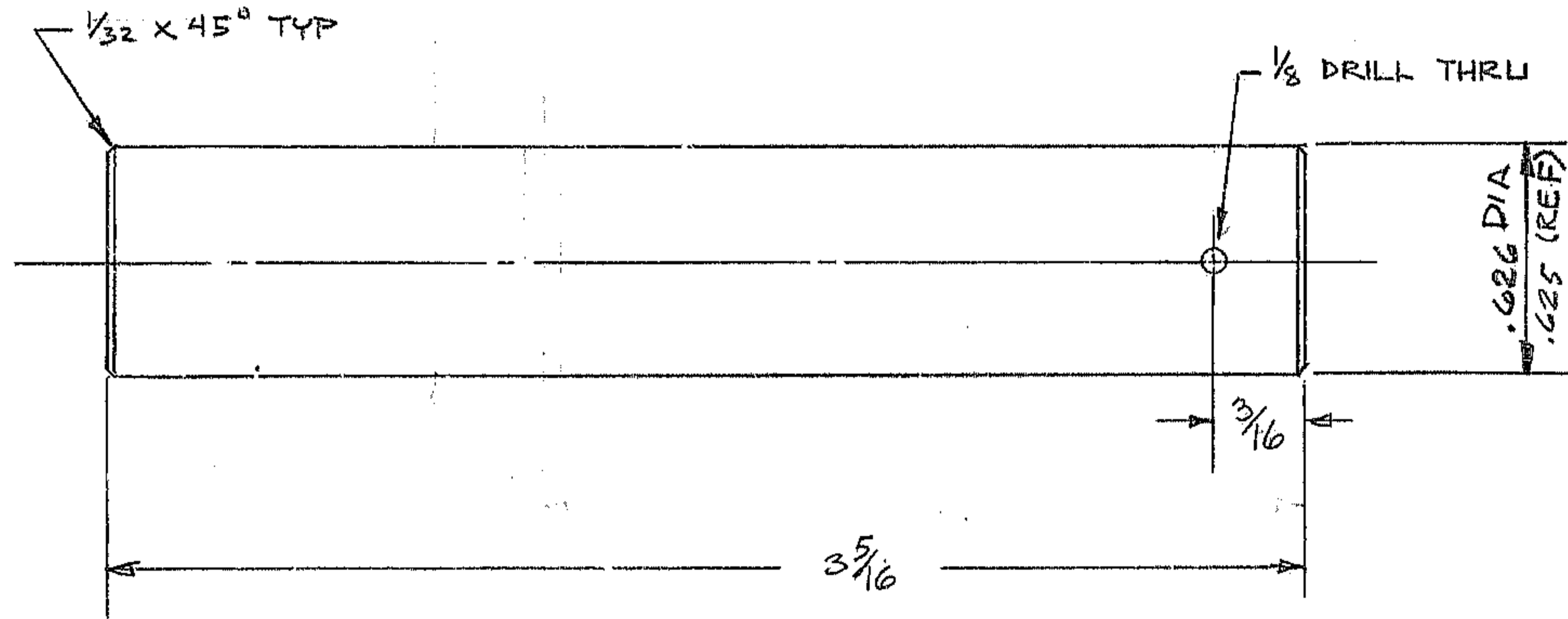


THIS DOCUMENT CONTAINS INFORMATION PROPRIETARY TO WESTERN GEAR CORPORATION. ALL DESIGN, MANUFACTURING, REPRODUCTION, USE, PATENT, AND SALES RIGHTS REGARDING THE SAME ARE HEREBY EXPRESSLY RESERVED BY WESTERN GEAR CORPORATION. THIS DOCUMENT IS SUBMITTED FOR REFERENCE PURPOSES ONLY AND SHALL NOT BE DISCLOSED TO ANY UNAUTHORIZED PERSON OR INCORPORATED INTO ANY OTHER PROJECT.

REVISIONS				
ZONE	LTR	DESCRIPTION	DATE	APPROVED
	A	INITIAL RELEASE	9-DEC-69	<i>[Signature]</i>



NOTES:  
 1. MATL: DRILL ROD 5/8 DIA x 36 LG.  
 2. TAG WITH P/N 2150.530B605

REF. FILE 1193

WESTERN GEAR CORPORATION  
 CONSTRUCTION PROJECTS  
 DEPARTMENT  
**APPROVED FOR  
 PROCUREMENT**  
 6 Runs DATE 12/8/69

NEXT ASSY: 2150.530D602 (WGD300290)

LIMITS ON MACHINED DIMENSIONS EXCEPT AS NOTED ANGULAR ± 1° 0' LINEAR .X = ± .1 .XX = ± .03 .XXX = ± .010 FRACTIONAL ± 1/32 BREAK ALL SHARP EDGES	150" STELLAR TELESCOPE MTA	<b>Western GEAR CORPORATION</b> HEAVY MACHINERY DIVISION EVERETT, WASHINGTON
	DRAWN J. BARTLESON 5/12/69 CHECK <i>[Signature]</i> 30-SEP-69 ENGR	
W.G.B. 300308 APPROVED	SIZE B CODE IDENT NO. 16603 SCALE 2/1	2150.530B605 WT. — LB SHEET OF 1