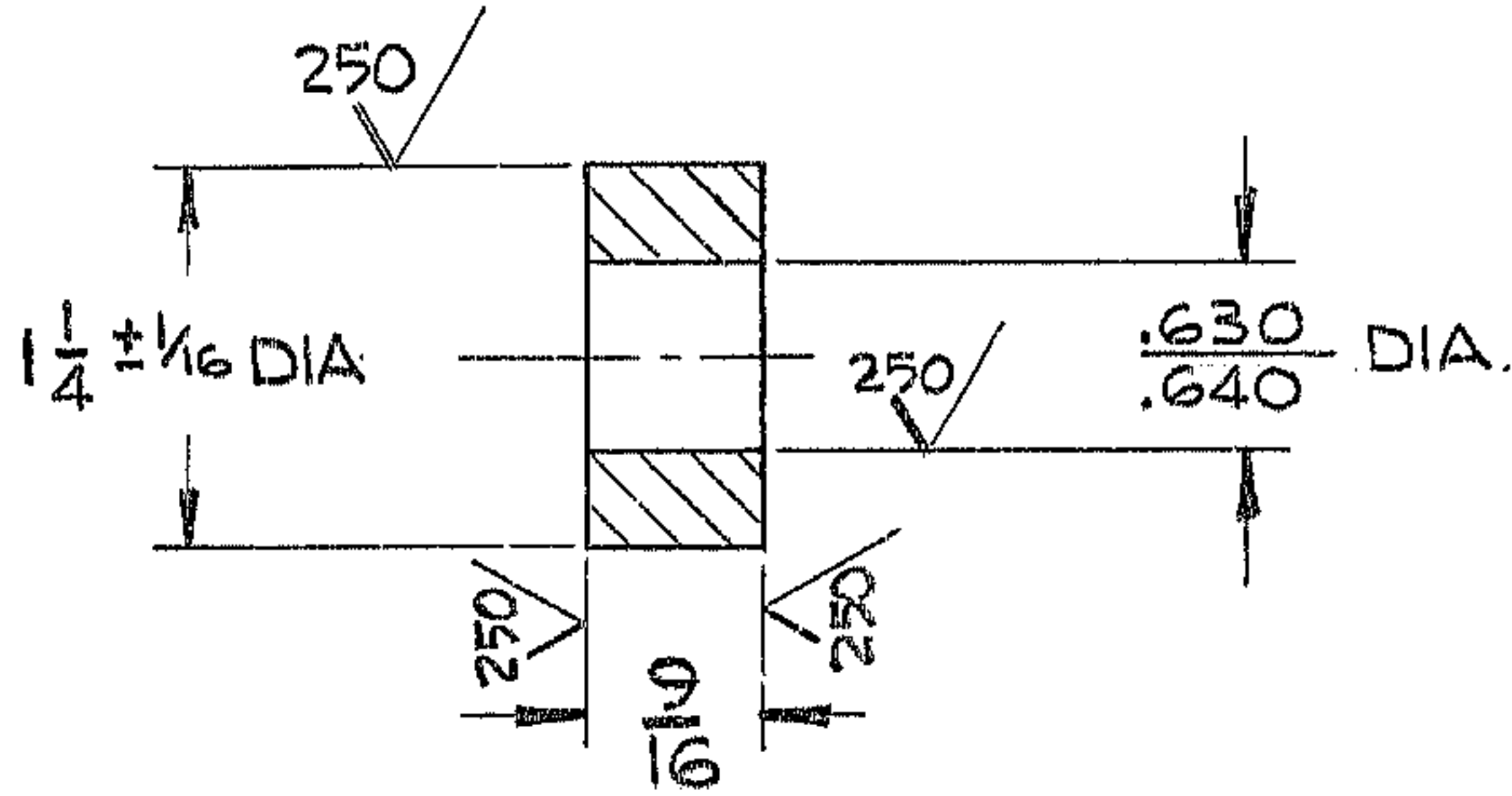


REVISIONS

LTR	DESCRIPTION	DATE	APPROVED



REF. FILE 1193

NOTES -

- MAT'L - STL, AISI 1018/1020,  $1\frac{1}{4}$  DIA x  $\frac{3}{4}$  LG
- STL, STAMP P/N 2150.530A110 ON O.D.

N/A 2150.530E10Z

A301128

LIMITS ON MACHINED DIMENSIONS EXCEPT AS NOTED  
 ANGULAR  $\pm 1^\circ 0'$   
 LINEAR  
 .X =  $\pm .1$   
 .XX =  $\pm .03$   
 .XXX =  $\pm .010$   
 FRACTIONAL  $\pm 1/32$   
 BREAK ALL SHARP EDGES

DRAWN White 3/10/7,  
 CHECK  
 ENGR SKILES.  
 WGA301128  
 APPROVED

**WESTERN**  HEAVY MACHINERY DIVISION  
 GEAR CORPORATION EVERETT, WASHINGTON

**SPACER**  
 SEC. FLIP DRIVE SHAFT ASSY

SIZE	CODE IDENT NO.	REV
<b>A</b>	<b>16603</b>	<b>2150.530A110</b>
SCALE 1/1	WT.	LB SHEET OF