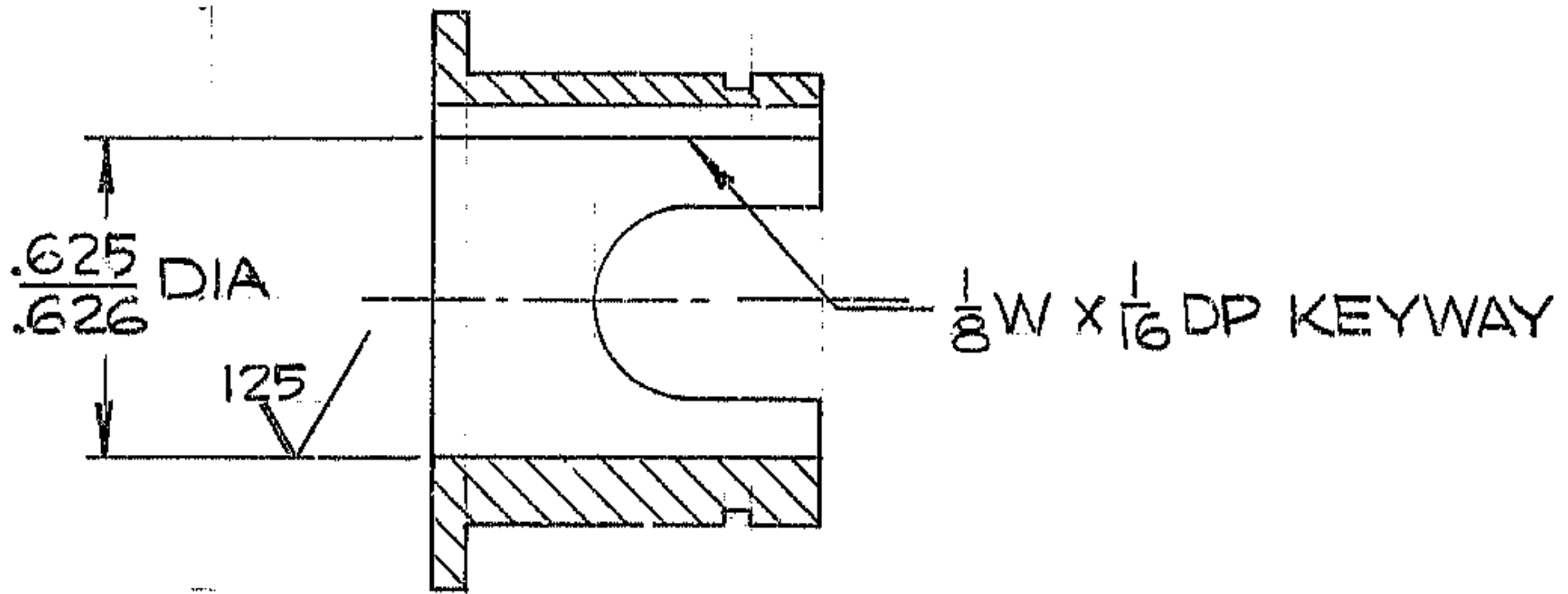


REVISIONS

LTR	DESCRIPTION	DATE	APPROVED
-----	-------------	------	----------



REF.
FILE 1193

N/A 2150.530 E10Z

LIMITS ON MACHINED DIMENSIONS EXCEPT AS NOTED

ANGULAR ± 1° 0'
LINEAR
.X = ± .1
.XX = ± .03
.XXX = ± .010
FRACTIONAL ± 1/32

BREAK ALL SHARP EDGES

WESTERN GEAR CORPORATION

HEAVY MACHINERY DIVISION
EVERETT, WASHINGTON

DRAWN White 3-10-71

CHECK

ENGR SKILES.

WG A301127

APPROVED

COUPLING REWORK
HARMONIC DRIVE

SEC. FLIP DRIVE SHAFT ASSY

SIZE A	CODE IDENT NO. 16603	2150.530A109	REV
------------------	--------------------------------	--------------	-----

SCALE NONE WT. LB SHEET 1 OF 1

A301127