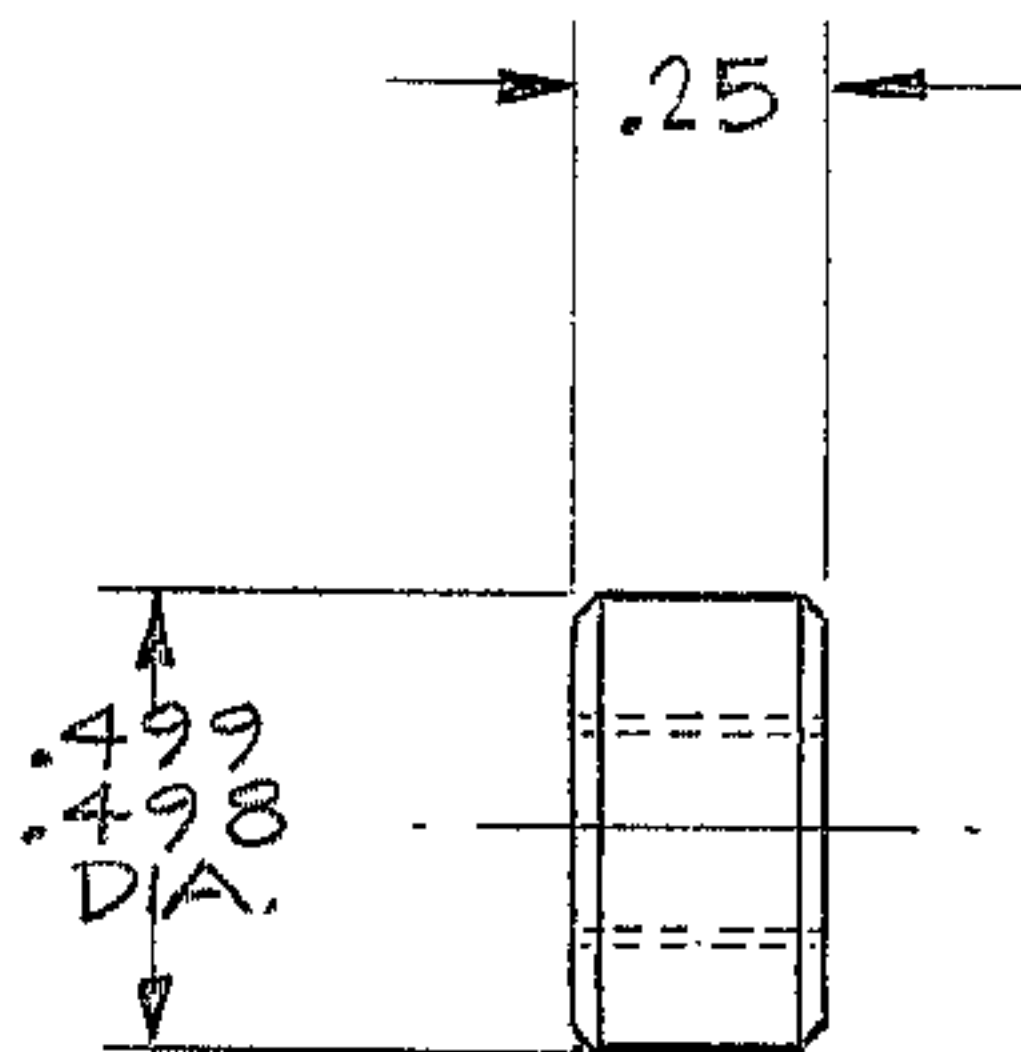
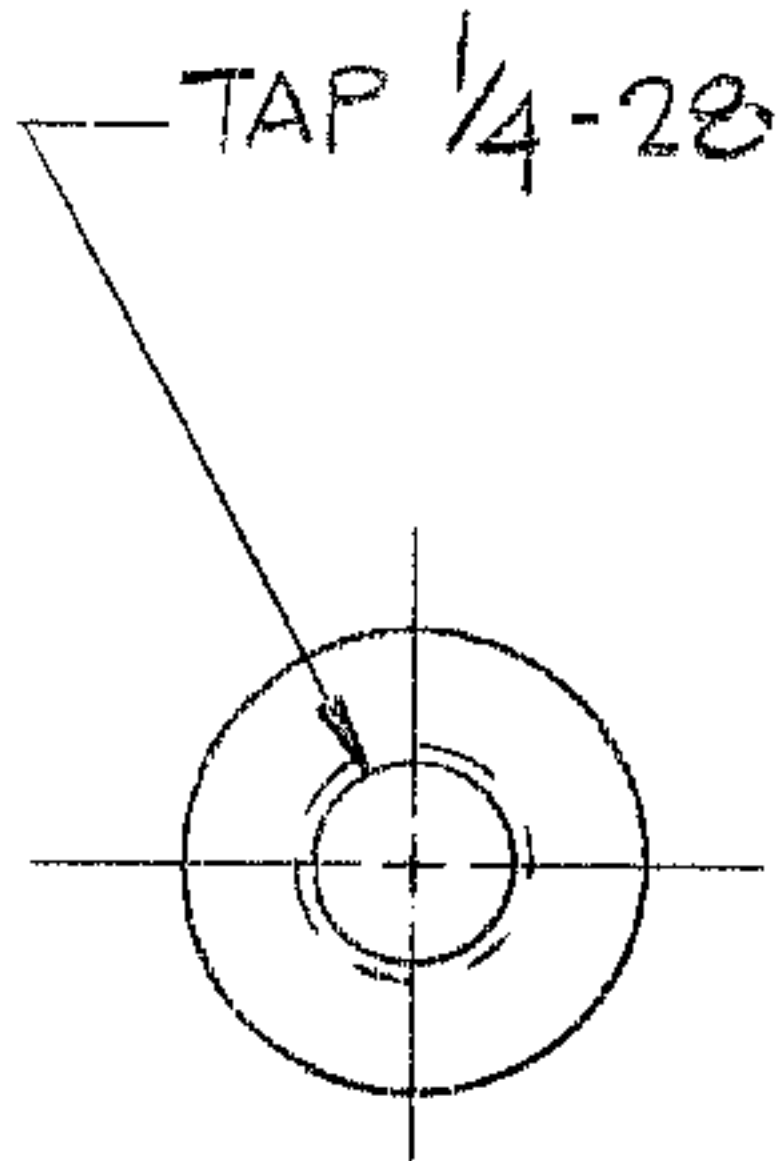


REVISIONS

LTR	DESCRIPTION	DATE	APPROVED
A	REVISED PER AURA REQ	2-20-70	WR
B	N/A #2150.000497ZE WAS 2150.570E00Z	7-31-92	JH/PB



REF. FILE 1190

.03 x 45° CHAMFER

- (6) 2150.580E002
- (2) 2150.000497ZE
- (9) 2150.581E002
- (9) 2150.582E002 (8) TOTAL

NO. REQ. - PER NEXT ASSEM.
 MATL - H.T. 416 S.S.
 FINISH - FAO 63
 HT. TRT. -

LIMITS ON MACHINED DIMENSIONS EXCEPT AS NOTED
 ANGULAR ± 15' 2"
 LINEAR
 .X = ± .1
 .XX = ± .05 .01
 .XXX = ± .002 .003
 FRACTIONAL ± 1/32

BREAK ALL SHARP EDGES

150" STELLAR TELESCOPE

DRAWN D.H.V.
 CHECK WR 2-10-70
 ENGR [Signature] 2-11-70

APPROVED

Western GEAR CORPORATION

HEAVY MACHINERY DIVISION
 EVERETT, WASHINGTON

BEARING PRELOAD NUT
 SEC. AND PRIME FOCUS ASSY

SIZE	CODE IDENT NO.	REV
A	16603 2150.505A112	B

SCALE 2X WT. — LB SHEET OF