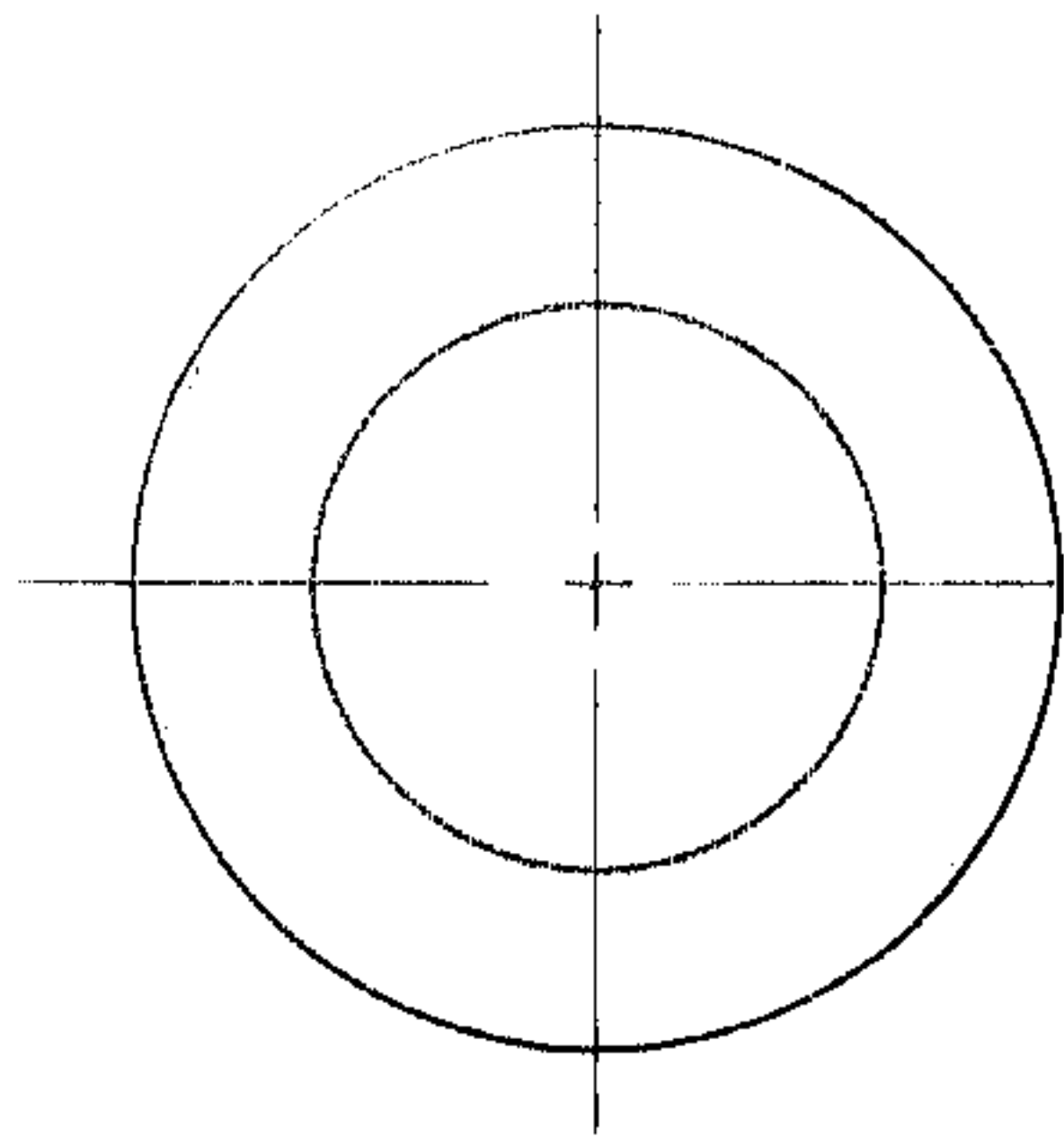
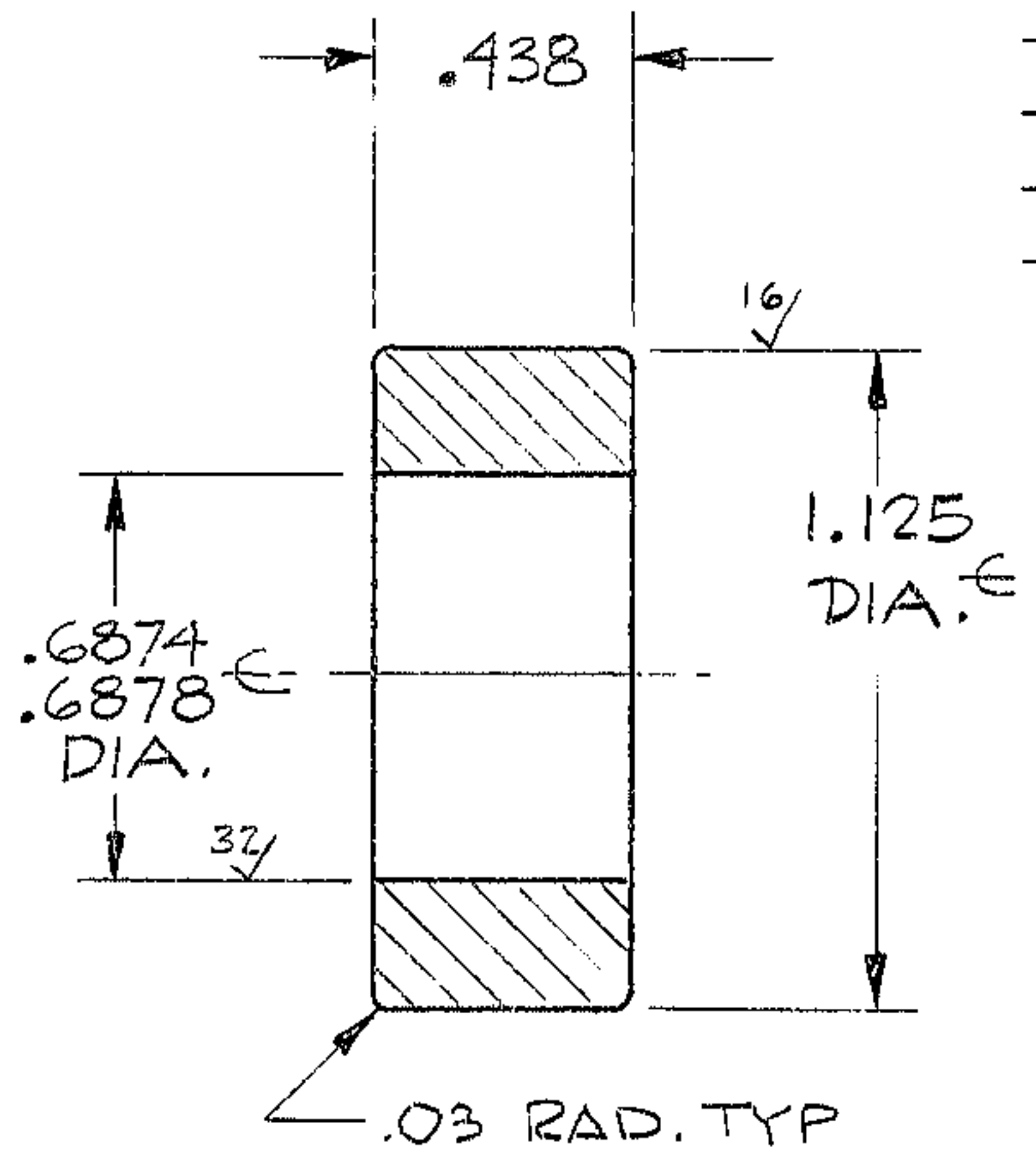


REVISIONS

LTR	DESCRIPTION	DATE	APPROVED
A	REVISED PER AURA REQ	2-20-70	WR
B	N/A# 2150.0004972E WAS 2150.570E002	7-31-92	J.H./PB



DIA'S CONCENTRIC
.0002 TIR



- (6) 2150.580 E002
- (4) 2150.0004972E
- (9) 2150.581 E002
- (10) TOTAL (9) 2150.582 E002

NO. REQ. - PER NEXT ASSEM.
 MAT'L - 440 C S. STL
 FINISH - F.A.C. 63 & NOTED
 HT. TRT. - R.C. 55-60

REF. FILE 1190

LIMITS ON MACHINED DIMENSIONS EXCEPT AS NOTED
 ANGULAR ± 1/2°
 LINEAR
 .X = ± .1
 .XX = ± .03 .01
 .XXX = ± .010 .003
 FRACTIONAL ± 1/32
 BREAK ALL SHARP EDGES

150" STELLAR TELESCOPE
 DRAWN D.N.V.
 CHECK WR 2-10-70
 ENGR [Signature] 2-11-70
 APPROVED

WESTERN GEAR CORPORATION HEAVY MACHINERY DIVISION
 EVERETT, WASHINGTON

GUIDE ROLLER
 SEC. & PRIME FOCUS ASS'Y

SIZE	CODE IDENT NO.	REV
A	16603 2150.505A111	B
SCALE 2X	WT. 1.075 LB	SHEET OF