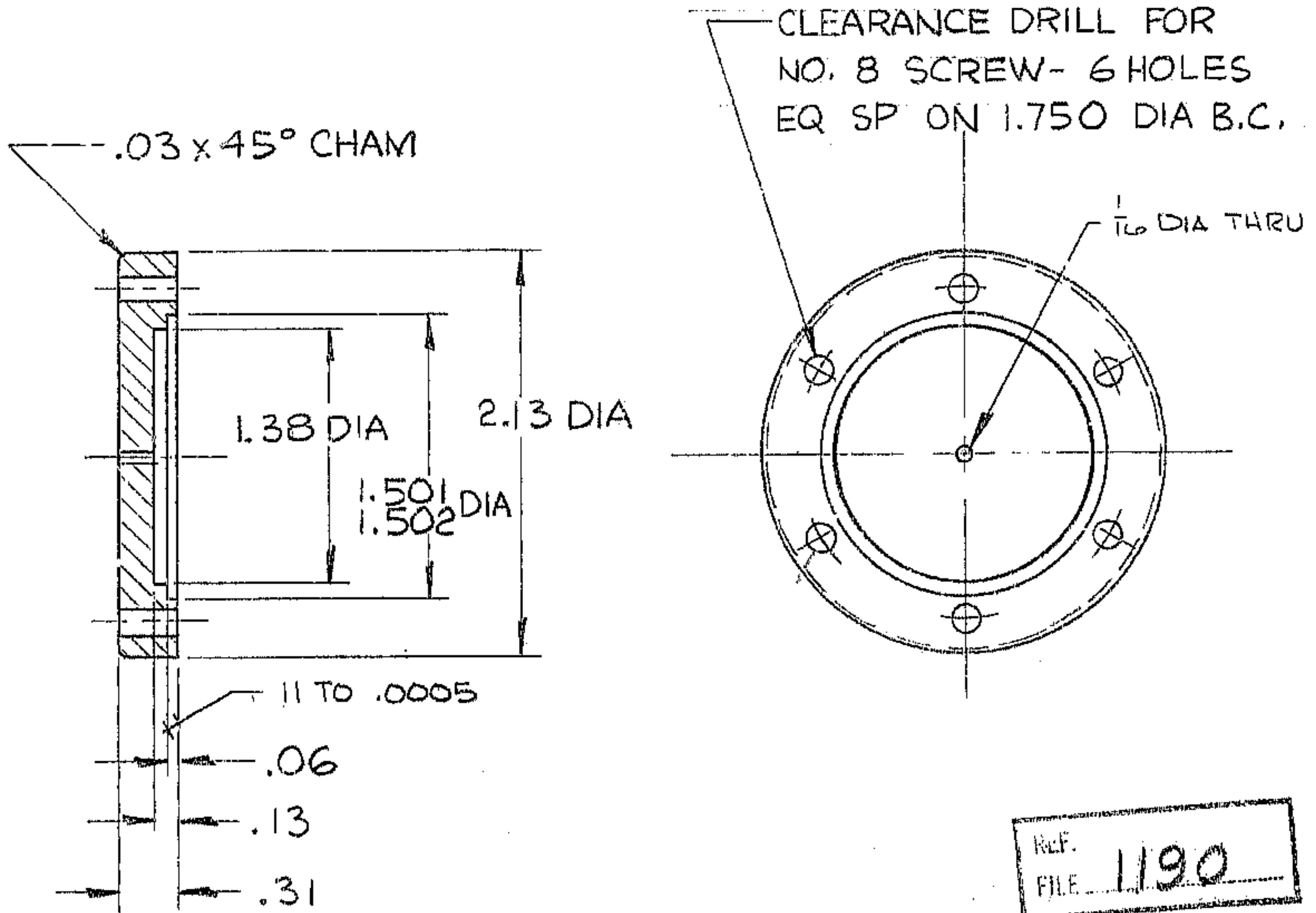


REVISIONS

LTR	DESCRIPTION	DATE	APPROVED
A	REVISED / AURA REQ	2-19-70	WR



REF. FILE 1190

NO. REQ. - 1 PER NEXT ASSEM.
 MAT'L - 2024-T351 ALUM
 FINISH - BLACK ANODIZE
 HT. TRT. -

N/A - 2150.570E102 - (1) REQ'D. (X2)
 N/A - 2150.590E102 - (1) REQ'D
 (3) TOTAL

LIMITS ON MACHINED DIMENSIONS EXCEPT AS NOTED
 ANGULAR ± 1/2°
 LINEAR
 X = ± .1
 XX = ± .03 .01
 XXX = ± .010 .003
 FRACTIONAL ± 1/32
 63/ A.O.
 BREAK ALL SHARP EDGES

150 INCH STELLAR TELESCOPE
 DRAWN WMS / 3-27-69
 CHECK WR 2-12-70
 ENGR [Signature] 2-20-70
 APPROVED

WESTERN GEAR CORPORATION HEAVY MACHINERY DIVISION
 EVERETT, WASHINGTON

BEARING RETAINER
 SEC. & PRIME FOCUS ASSY

SIZE A	CODE IDENT NO. 16603	2150.505A108	REV A
SCALE FULL	WT. .09 LB	SHEET	OF