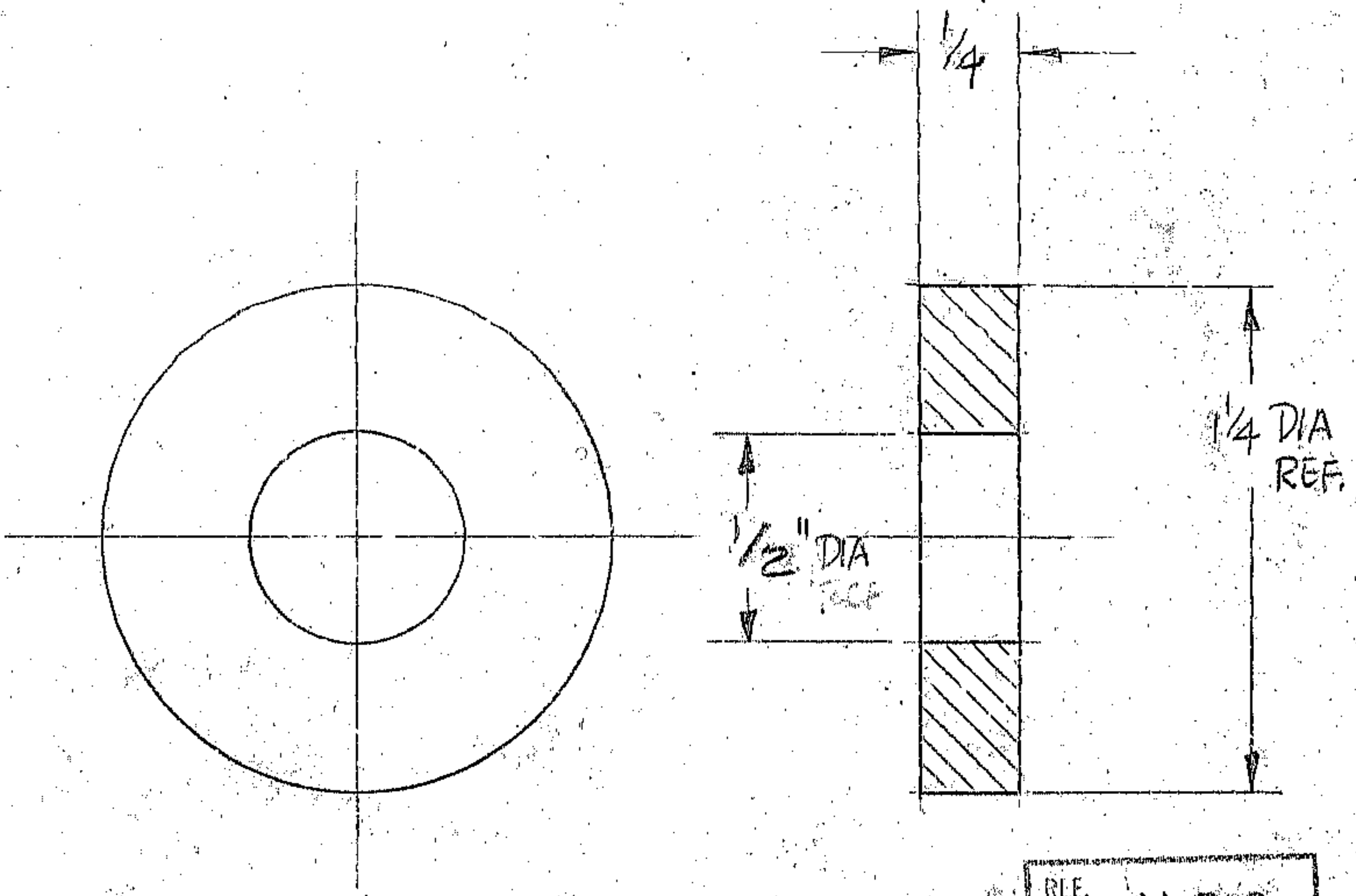


REVISIONS

LTR	DESCRIPTION	DATE	APPROVED
A	REVISED PER AURA REQ	2-20-70	WR.



REF. 1190

- N/A - 2150.540E002 - (4) REQ'D
- N/A - 2150.580E002 - (3) "
- N/A - 2150.581E002 - (3) "
- N/A - 2150.58.E002 - (3) "

NO. REQ. = NOTED PER NEXT ASSEM.  
 MATL = NEOPRENE 40/50 SHORZ  
 FINISH = —  
 HT. TRT. = —

(13) TOTAL

LIMITS ON  
 MACHINED DIMENSIONS  
 EXCEPT AS NOTED  
 ANGULAR ± 1/2°  
 LINEAR  
 X = ± .1  
 XX = ± .03  
 XXX = ± .010  
 FRACTIONAL ± 1/32  
 BREAK ALL  
 SHARP EDGES

150" STELLAR  
 TELESCOPE  
 DRAWN D.N.V.  
 CHECK WR 2-20-70  
 ENGR [Signature]  
 ORIGINAL  
 APPROVED

**WESTERN GEAR CORPORATION** HEAVY MACHINERY DIVISION  
 EVERETT, WASHINGTON

SAFETY BUMPER  
 SEC. & PRIME FOCUS ASSY

SIZE	CODE IDENT NO.	REV
A	16603 2150.505A103	A

SCALE 2X WT. 0.1 LB SHEET OF