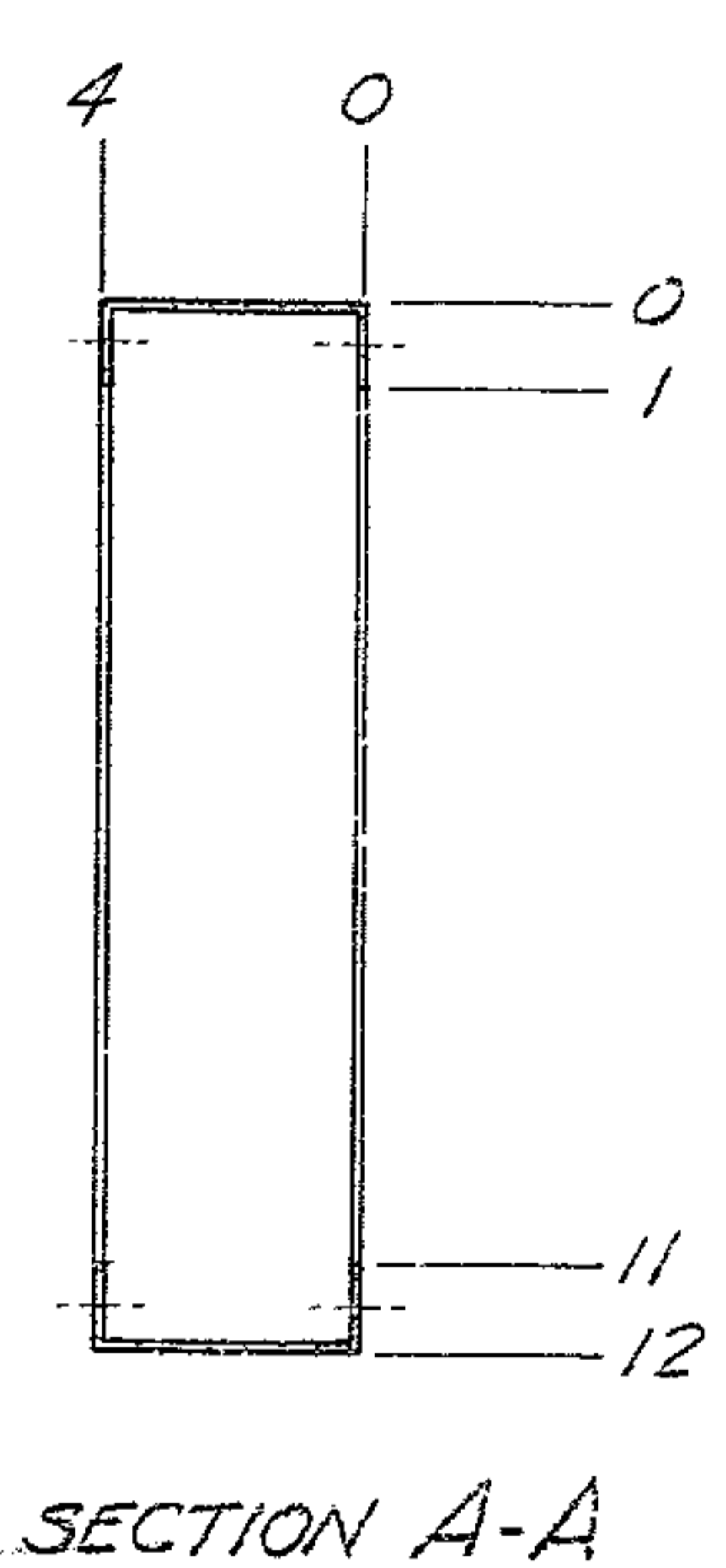
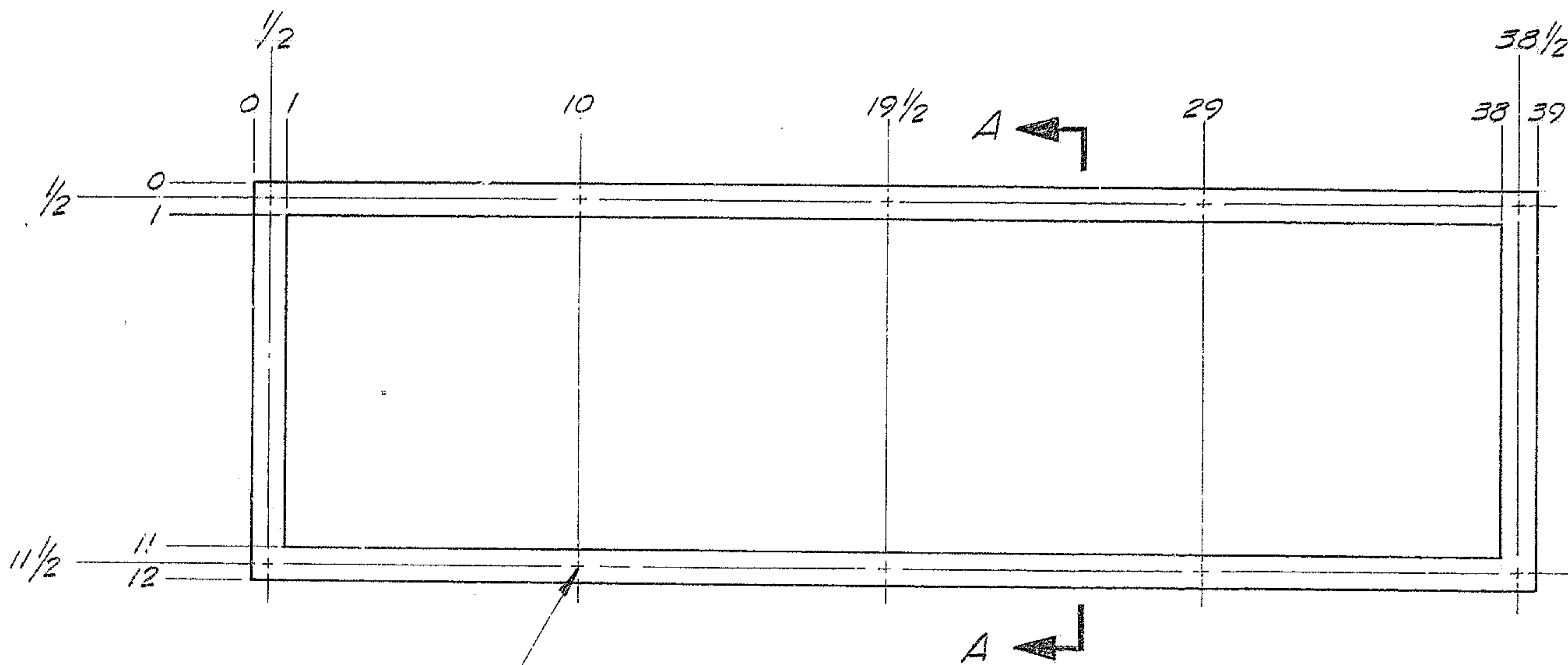


**NOTES: UNLESS OTHERWISE NOTED**

1. REMOVE ALL BURRS AND SHARP EDGES  $.010$  R MAX
2. MACHINED SURFACE ROUGHNESS  $125$
3. MATERIAL: 6061-T6 AL ALY, .063 STOCK
4. MAY BE FABRICATED BY BENDING & WELDING OR BY BENDING & RIVETING

REVISIONS						
ZONE	LTR	DESCRIPTION	ECR	DATE	BY	APVD



①  $.547^{+.003}_{-.000}$  DIA  
 10 HOLES NEARSIDE  
 INSTALL ITEM 1  
 $.221^{+.005}_{-.001}$  DIA  
 10 HOLES FAR SIDE

10	85-35-302-15	RECEPTACLE-SEALED	SOUTHCO	1
QTY REQD	PART OR IDENTIFYING NO.	DESCRIPTION	MATERIAL / SPECIFICATION	ITEM NO.
<b>PARTS LIST</b>				
TOLERANCES UNLESS OTHERWISE NOTED DECIMALS    FRACTIONS    ANGULAR .XX ± .03       ± —       ± 0° 30' .XXX ± .010		<b>KITT PEAK NATIONAL OBSERVATORY</b> <small>OPERATED BY THE ASSOCIATION OF UNIVERSITIES FOR RESEARCH IN ASTRONOMY, INC. UNDER CONTRACT WITH NATIONAL SCIENCE FOUNDATION</small>		
NEXT ASSEMBLY 2150.500-5002	NAME EXTENSION-1KJB3 TERMINAL BOX, P.F. CAGE	REF FILE 1190		
SCALE 1/4	DESIGNED BY S.S.C.	DATE 10-19-77	APPROVED BY S.S.C.	DATE 10-24-77
PRINT ISSUED	DRAWN BY S.S.C.	DATE 10-19-77	APPROVED BY	DATE
	CHECKED BY S.S.C.	DATE	APPROVED BY	DATE
		DWG NO. 2150.501-C145	REV	
		RELEASE DATE 4-10-79		