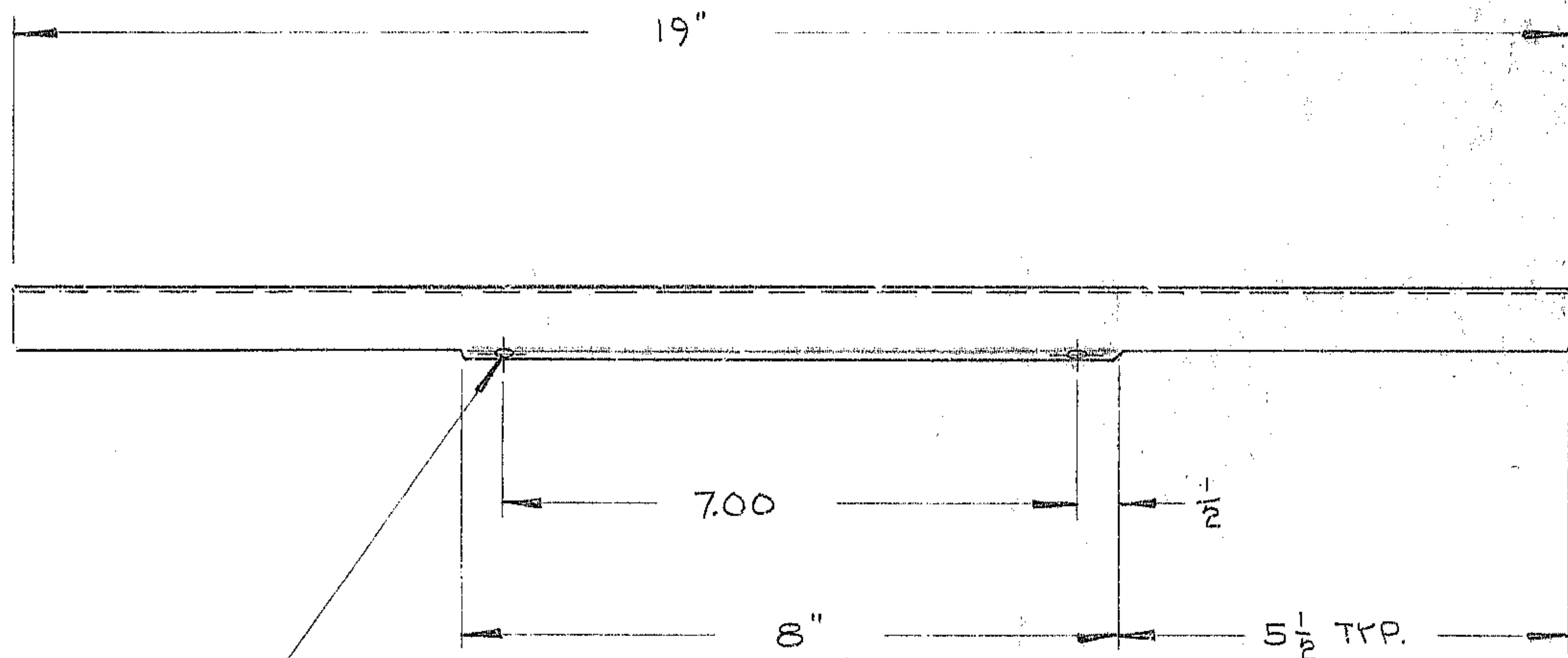
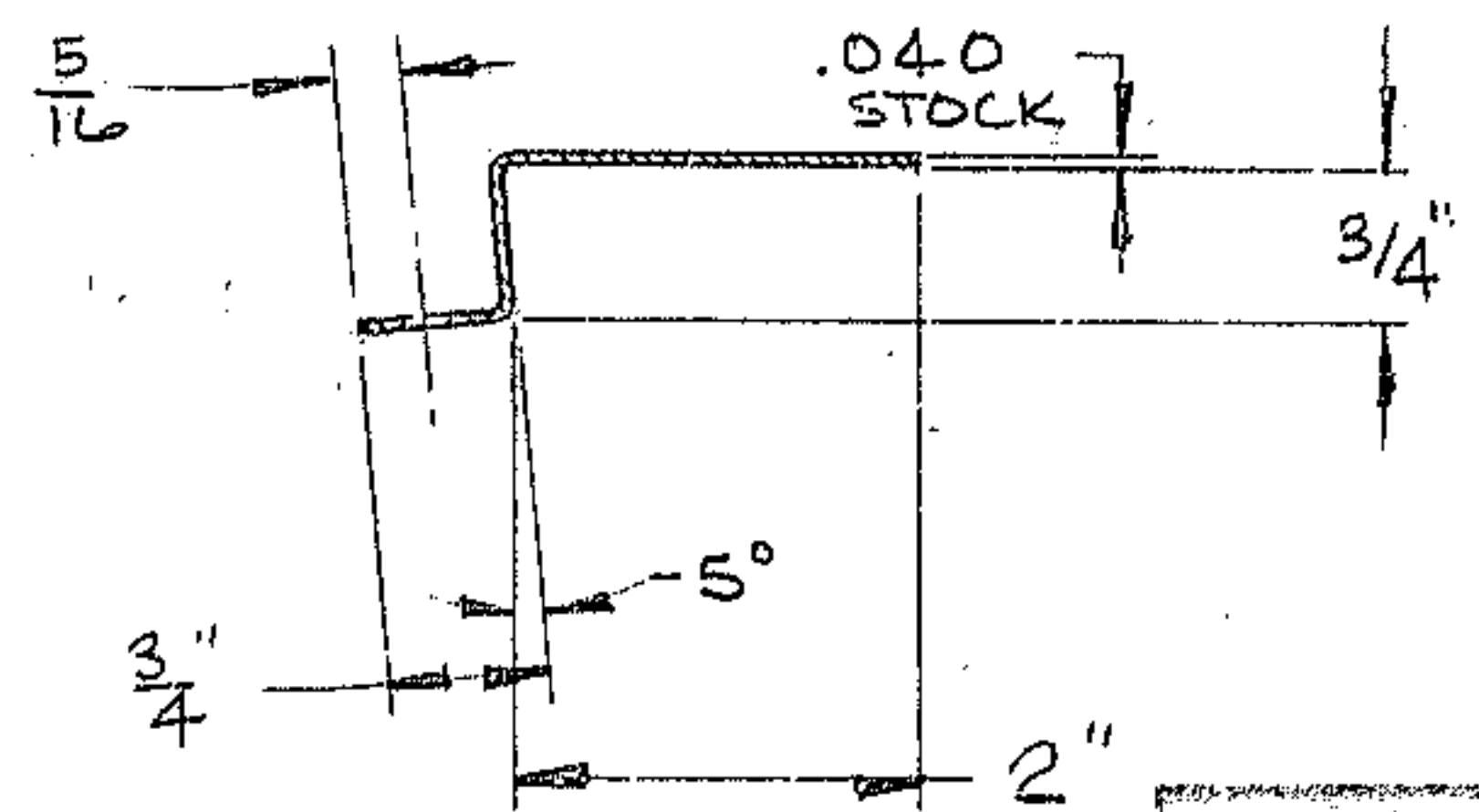
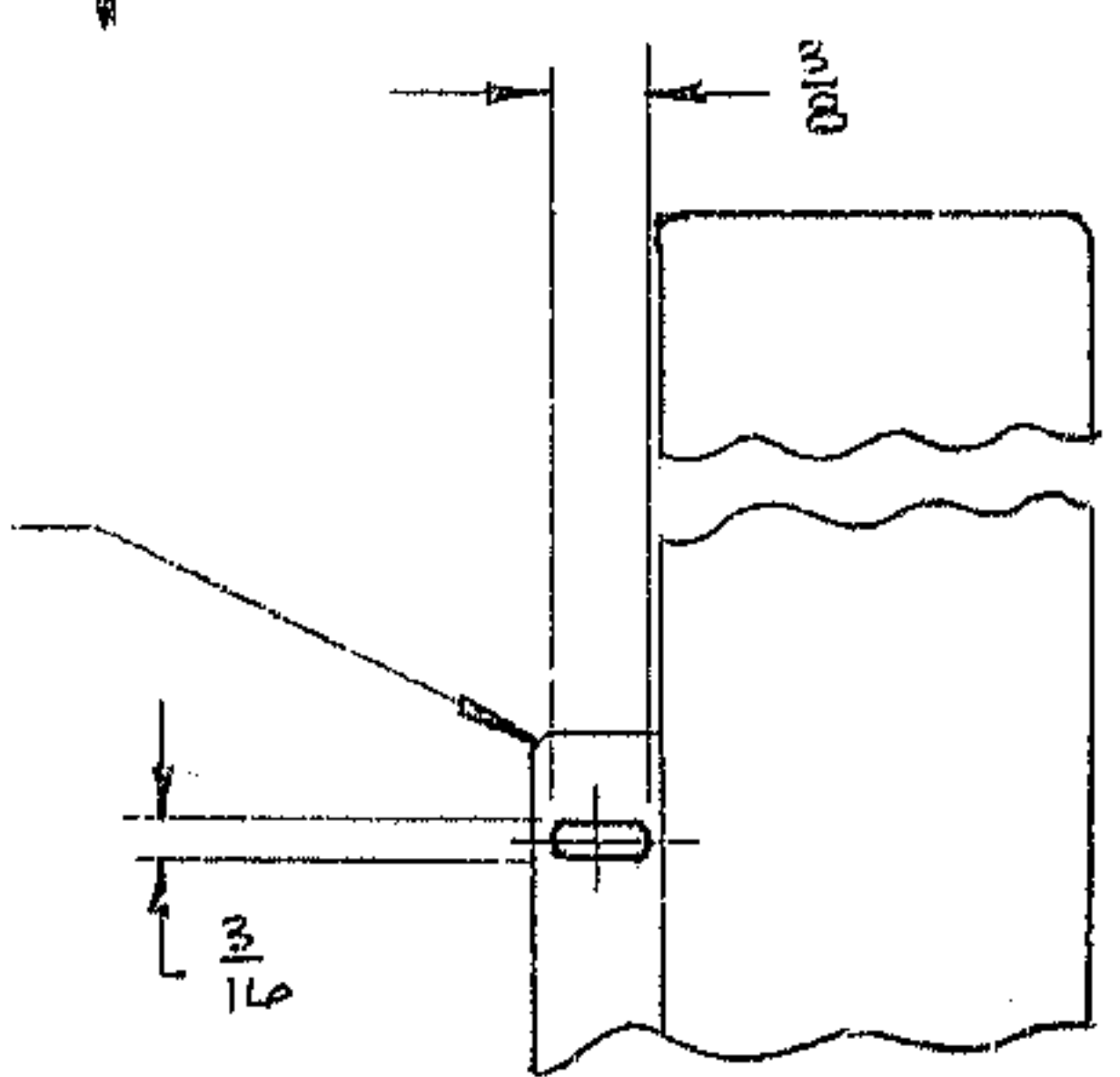


THIS DOCUMENT CONTAINS INFORMATION PROPRIETARY TO WESTERN GEAR CORPORATION. ALL DESIGN, MANUFACTURING, REPRODUCTION, USE, PATENT, AND SALES RIGHT REGARDING THE SAME ARE HEREBY EXPRESSLY RESERVED BY WESTERN GEAR CORPORATION. THIS DOCUMENT IS SUBMITTED FOR REFERENCE PURPOSES ONLY AND SHALL NOT BE DISCLOSED TO ANY UNAUTHORIZED PERSON OR INCORPORATED INTO ANY OTHER PROJECT.

REVISIONS				
ZONE	LTR	DESCRIPTION	DATE	APPROVED



APPROX. 1/8 R. TYP.  
ALL CORNERS



REF. FILE 1190

3/16 x 3/8 SLOT - 2 PLACES  
( TAP 2150.501E103 & 2150.501E104  
# 8-32 x 3/8 DP. @ ASSY 2 HOLES 4 PLACES )

N/A-2150.501E002

NO. REQ. - 4 PER NEXT ASSEM.  
MATERIAL - 6061-T6  
FINISH - BLACK ANODIZE  
HT. TRT. -

LIMITS ON MACHINED DIMENSIONS EXCEPT AS NOTED  
ANGULAR ± 1/2°  
LINEAR  
X = ± .1  
XX = ± .01  
XXX = ± .003  
FRACTIONAL ± 1/32  
BREAK ALL SHARP EDGES 01x45°

150" STELLAR TELESCOPE  
DRAWN R. CHAVEL 4-7-70  
CHECK W.R. 4/8/70  
ENGR @ 4/10/70  
ORIGINAL  
APPROVED

<b>WESTERN GEAR CORPORATION</b>		HEAVY MACHINERY DIVISION EVERETT, WASHINGTON	
MOUNT STRUT CENTER CABLE COVER SEC. MIRROR & PRIME FOCUS ASSY			
SIZE	CODE IDENT NO.	REV	
B	16603	2150.501 B137	
SCALE 1/2	WT. 25 LB.	SHEET 1	OF 1