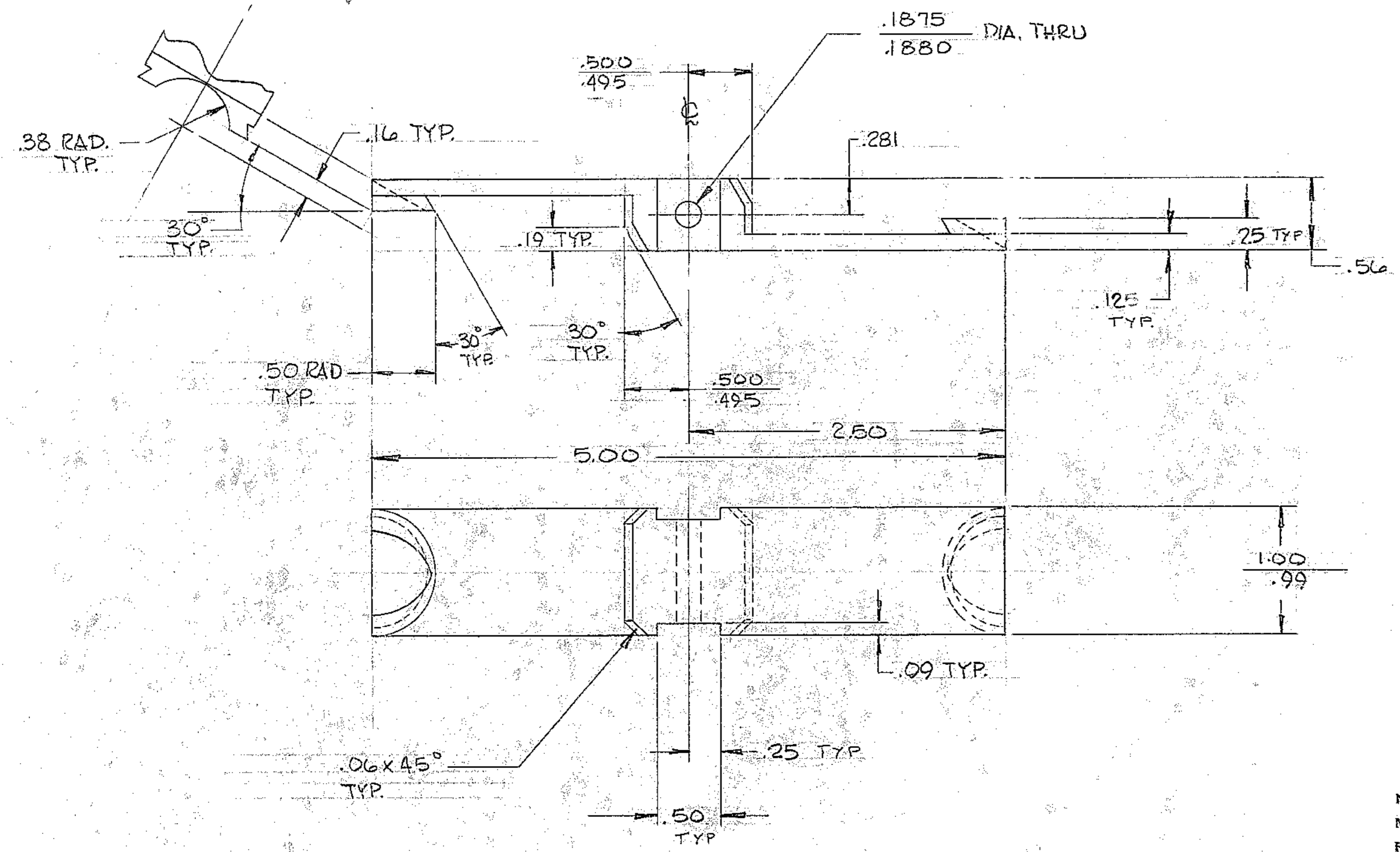


THIS DRAWING IS THE PROPERTY OF WACOR CORPORATION. IT IS TO BE USED ONLY FOR THE PROJECT AND FOR THE MANUFACTURE OF THE PARTS SPECIFIED THEREON. IT IS NOT TO BE REPRODUCED, COPIED, OR IN ANY MANNER DISSEMINATED WITHOUT THE WRITTEN PERMISSION OF WACOR CORPORATION. ANY UNAUTHORIZED REPRODUCTION OR USE OF THIS DRAWING IS PROHIBITED AND WILL BE PROSECUTED TO THE FULL EXTENT OF THE LAW. THIS DRAWING IS FOR REFERENCE PURPOSES ONLY AND SHALL NOT BE DISSEMINATED TO ANY UNAUTHORIZED PERSON OR INCORPORATED INTO ANY OTHER PROJECT.

REVISIONS				
ZONE	ITP	DESCRIPTION	DATE	APPROVED
	A	REVISED PER AURA REQ.	3-30-70	WR
	B	NO. REQ. WAS 2.	10-14-96	J.H.



REF. FILE 1190

NO. REQ. - 1 PER NEXT ASSEM.
 MTL. - 2024-T4 ALUM
 FINISH - BLACK ANODIZE
 HT. TRT. -

NOTE:
 SAND & BUFF ALL EDGES
 TO APPROX. $02/03$ RAD.

N/A-2150.501E002

LIMITS ON MACHINED DIMENSIONS EXCEPT AS NOTED ANGULAR = $\pm 1/2^\circ$ LINEAR X = $\pm .1$ XX = $\pm .01$ XXX = $\pm .003$ FRACTIONAL = $\pm 1/32$ BREAK ALL SHARP EDGES	150" STELLAR TELESCOPE	HEAVY MACHINERY DIVISION EVERETT, WASHINGTON GEAR CORPORATION		
	DRAWN RCHAVEZ 4-23-69 CHECK WRE 4-2-70 ENGR @ 4-10-70 ORIGINAL APPROVED		ACCESS DOOR LATCH SEC. MIRROR & PRIME FOCUS ASSY	
	SIZE B	CODE IDENT NO. 16603	2150.501 B 122	REV B
	SCALE FULL	WT. .11	ED SHEET 1 OF 1	