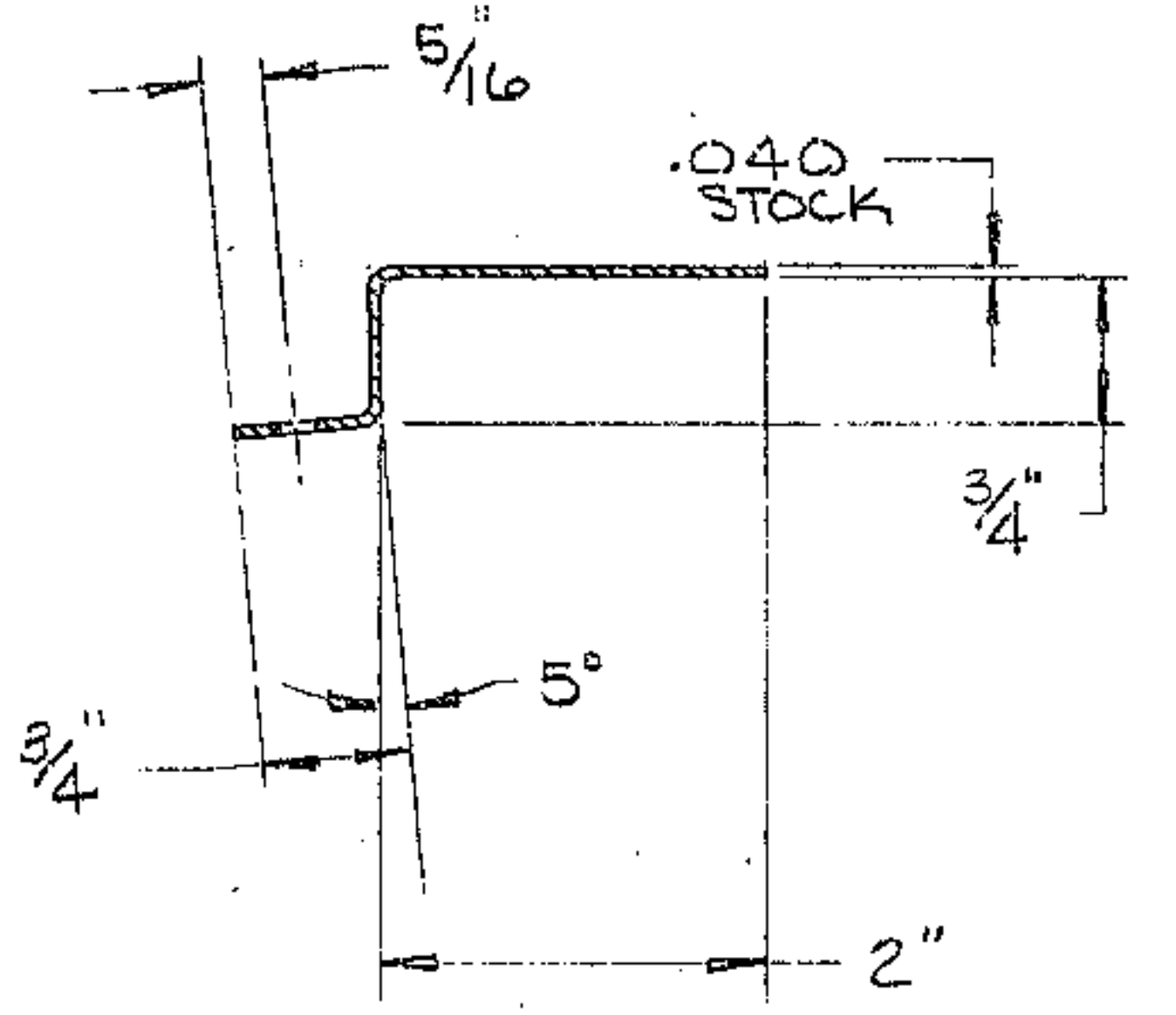
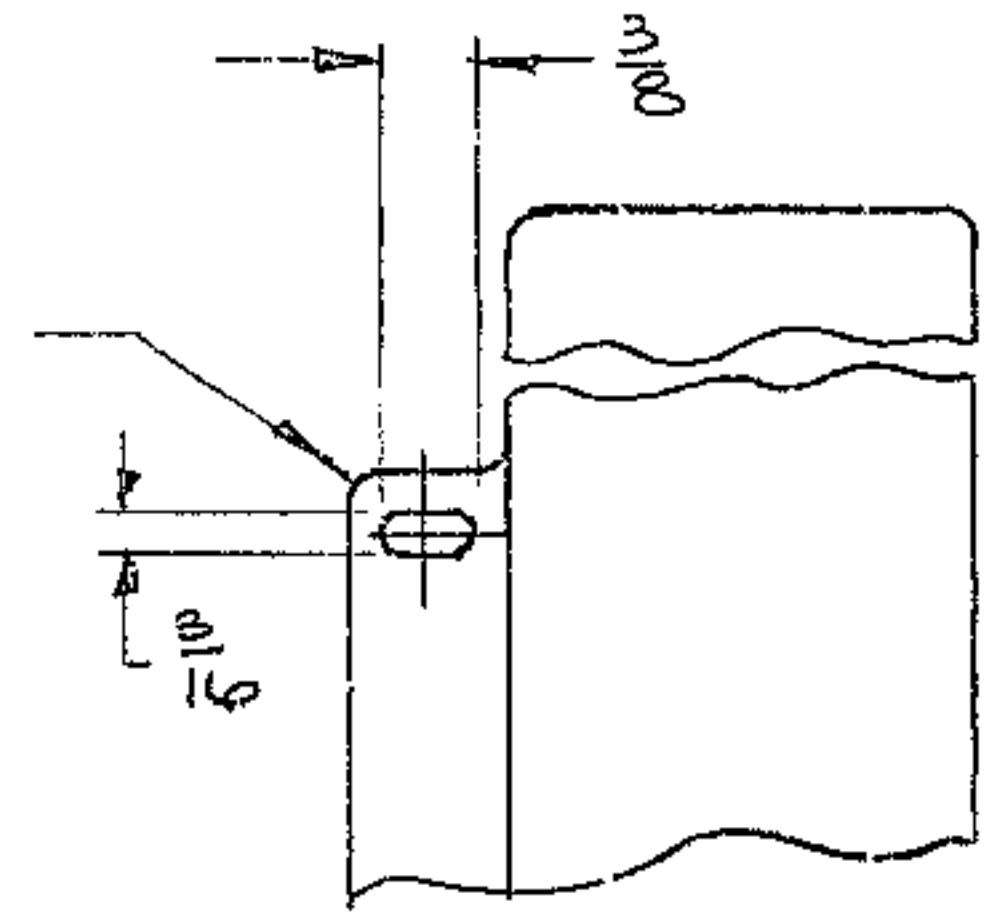
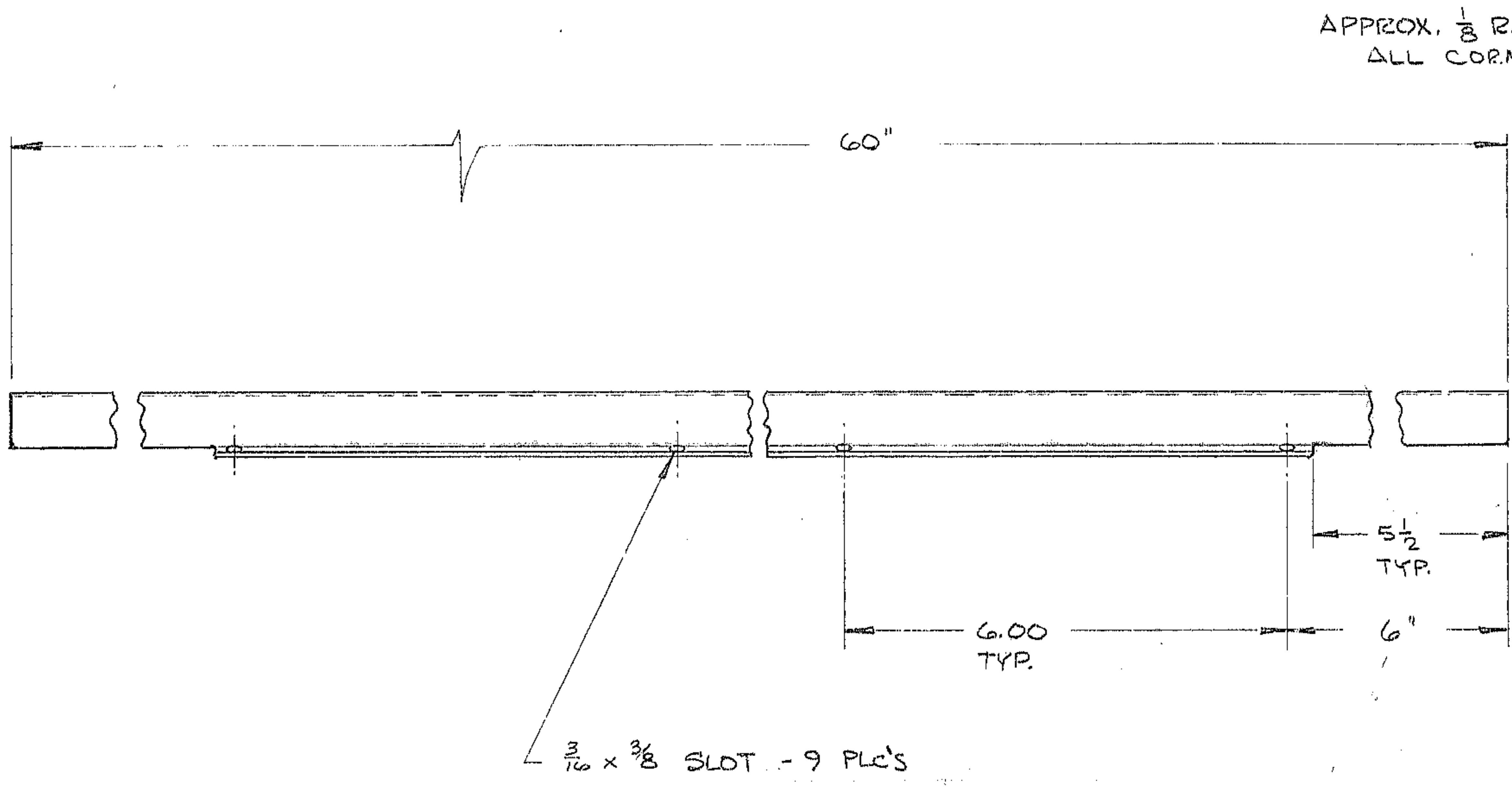


THIS DOCUMENT CONTAINS INFORMATION PROPRIETARY TO WESTERN GEAR CORPORATION. ALL DESIGN, MANUFACTURING, REPRODUCTION, USE, PATENT, AND SALES RIGHTS REGARDING THE SAME ARE HEREBY EXPRESSLY RESERVED BY WESTERN GEAR CORPORATION. THIS DOCUMENT IS SUBMITTED FOR REFERENCE PURPOSES ONLY AND SHALL NOT BE DISCLOSED TO ANY UNAUTHORIZED PERSON OR INCORPORATED INTO ANY OTHER PROJECT.

REVISIONS				
ZONE	LTR	DESCRIPTION	DATE	APPROVED
A		REVISED PER AURA REQ.	3-31-70	WR



REF. FILE 1190

NO. REQ. = 8 PER NEXT ASSEM.  
 MAT'L = 6061-T6 ALUM  
 FINISH = BLACK ANODIZE  
 HT. TRT. =

N/A-2150.501E002

LIMITS ON MACHINED DIMENSIONS EXCEPT AS NOTED  
 ANGULAR ± 1/2°  
 LINEAR  
 X = ± .1  
 XX = ± .01  
 XXX = ± .001  
 FRACTIONAL ± 1/32  
 BREAK ALL SHARP EDGES

150" STELLAR TELESCOPE  
 DRAWN R. CHAVEZ  
 CHECK WR 4/3/70  
 ENGR R 4/14/70  
 ORIGINAL  
 APPROVED

<b>WESTERN GEAR CORPORATION</b>		HEAVY MACHINERY DIVISION EVERETT, WASHINGTON	
MOUNT STRUT CABLE COVER SEC. MIRROR & PRIME FOCUS ASS'Y			
SIZE <b>B</b>	CODE IDENT NO. <b>16603</b>	<b>2150.501B004</b>	REV <b>A</b>
SCALE 1/2 X	WT. .81 LB	SHEET 1 OF 1	