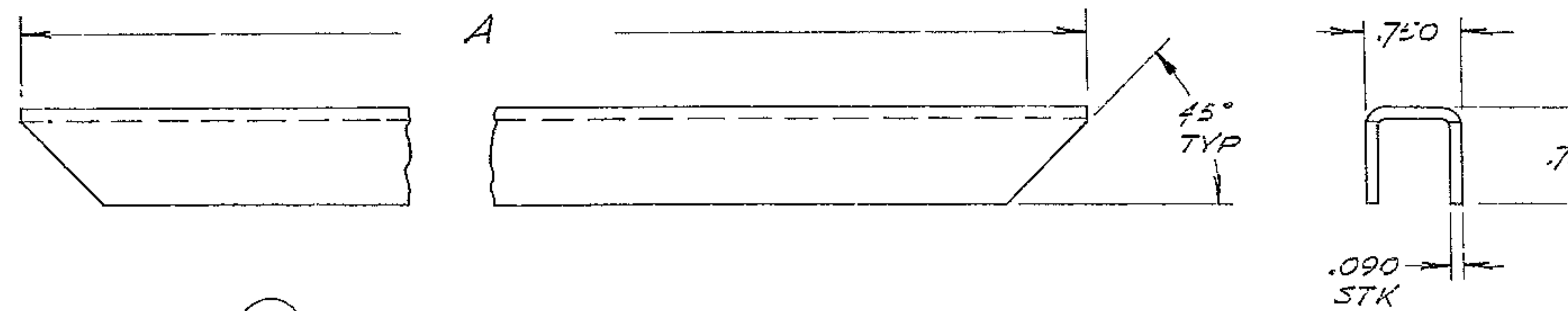
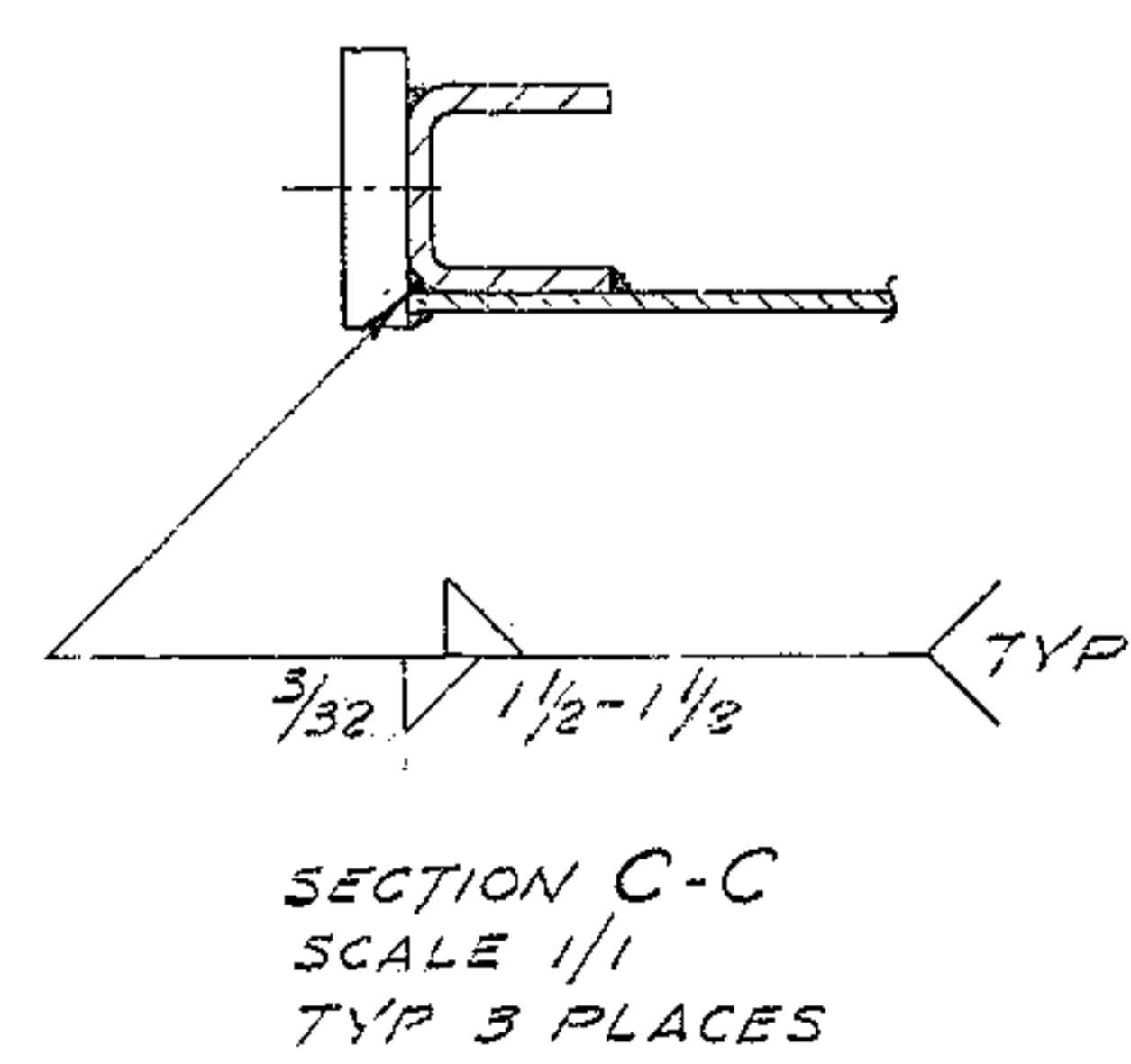
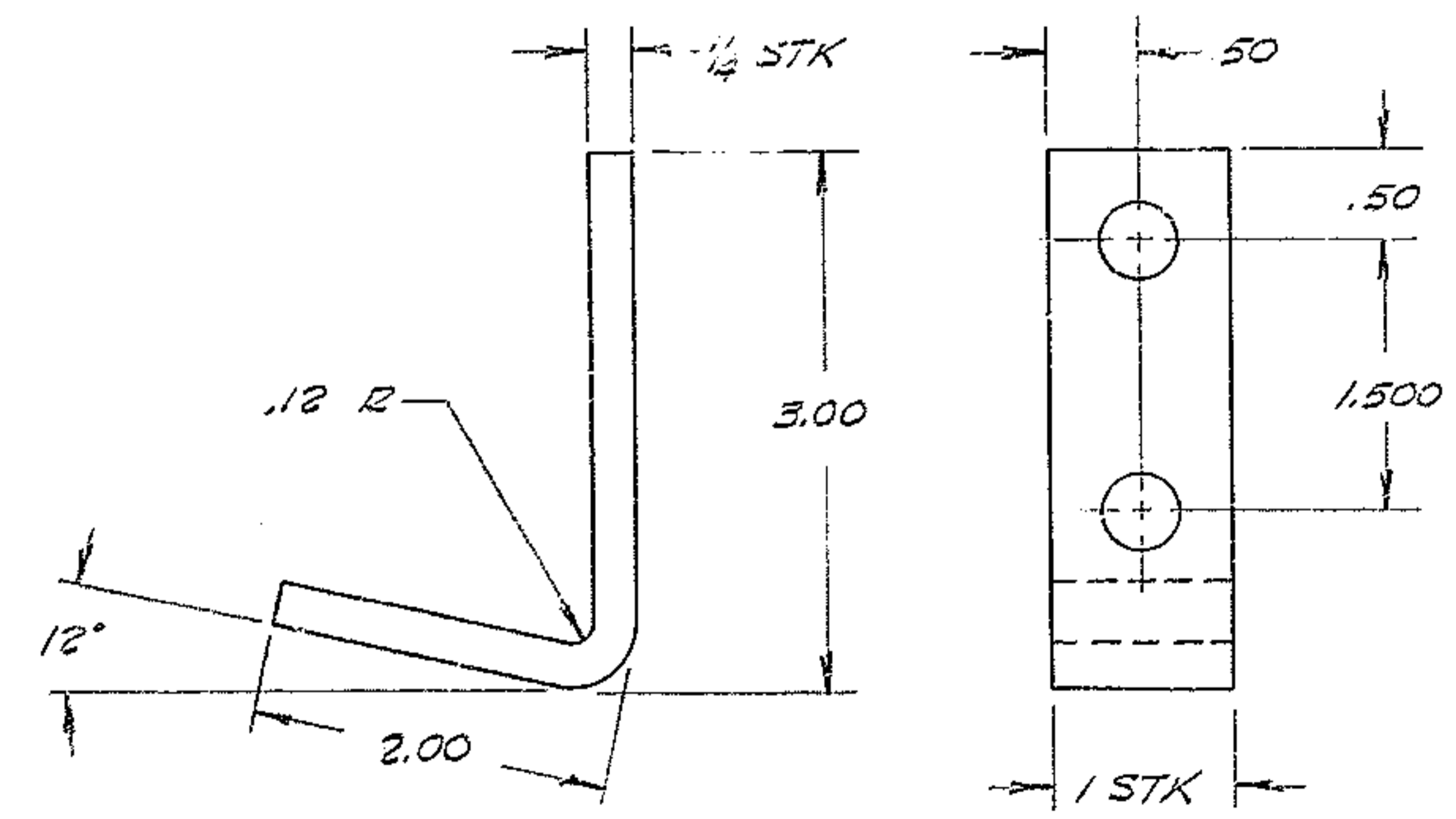
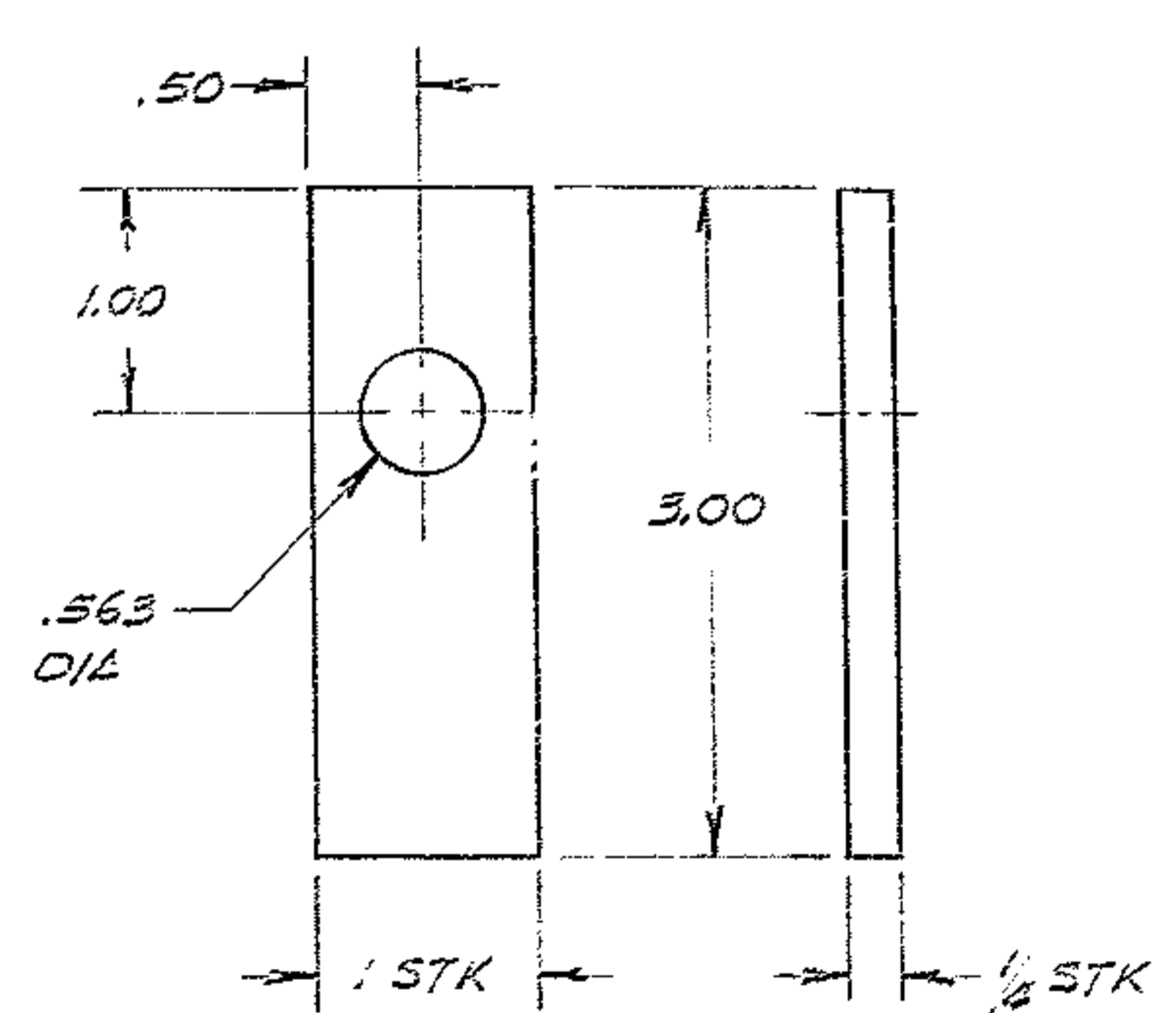
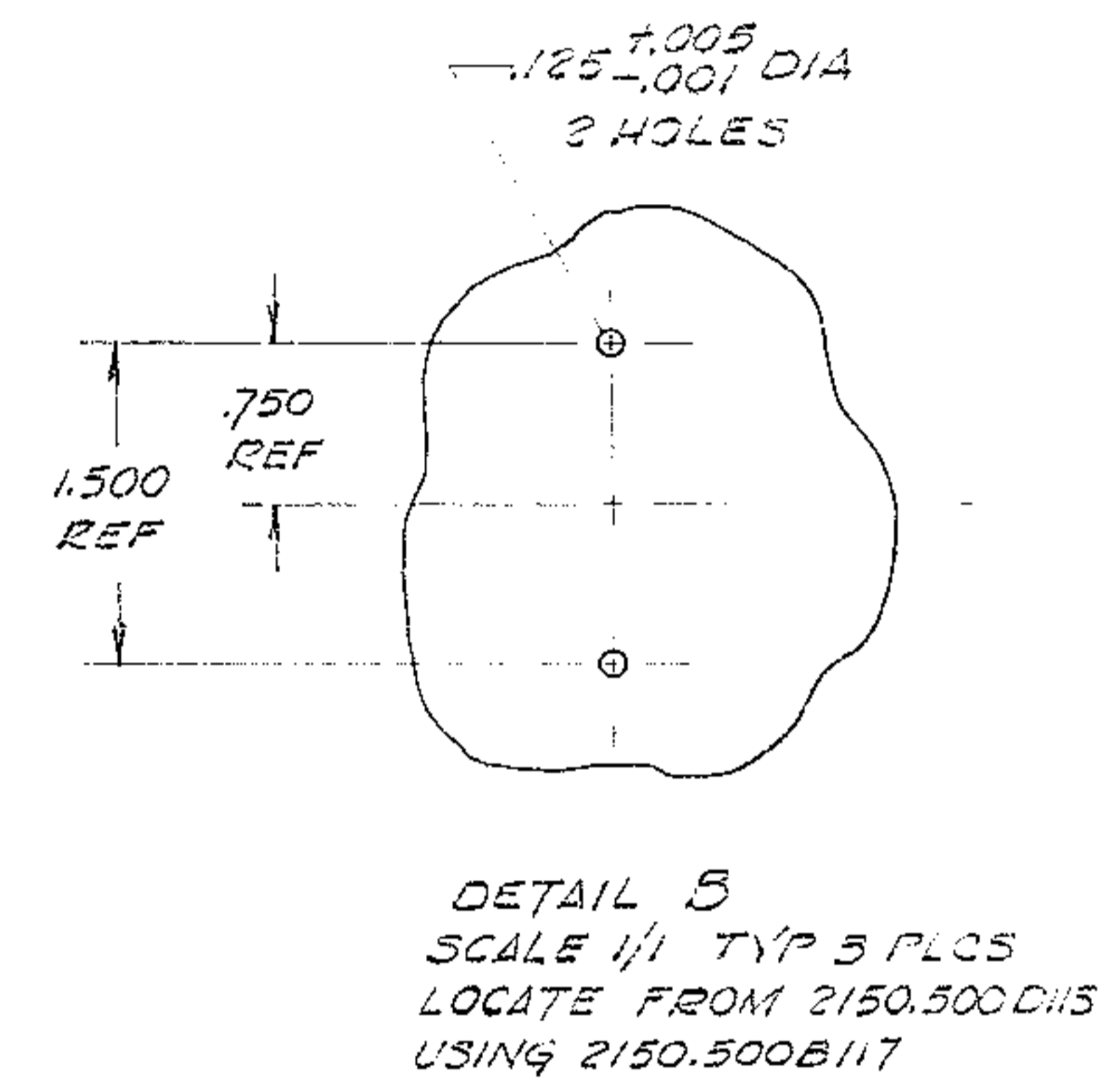
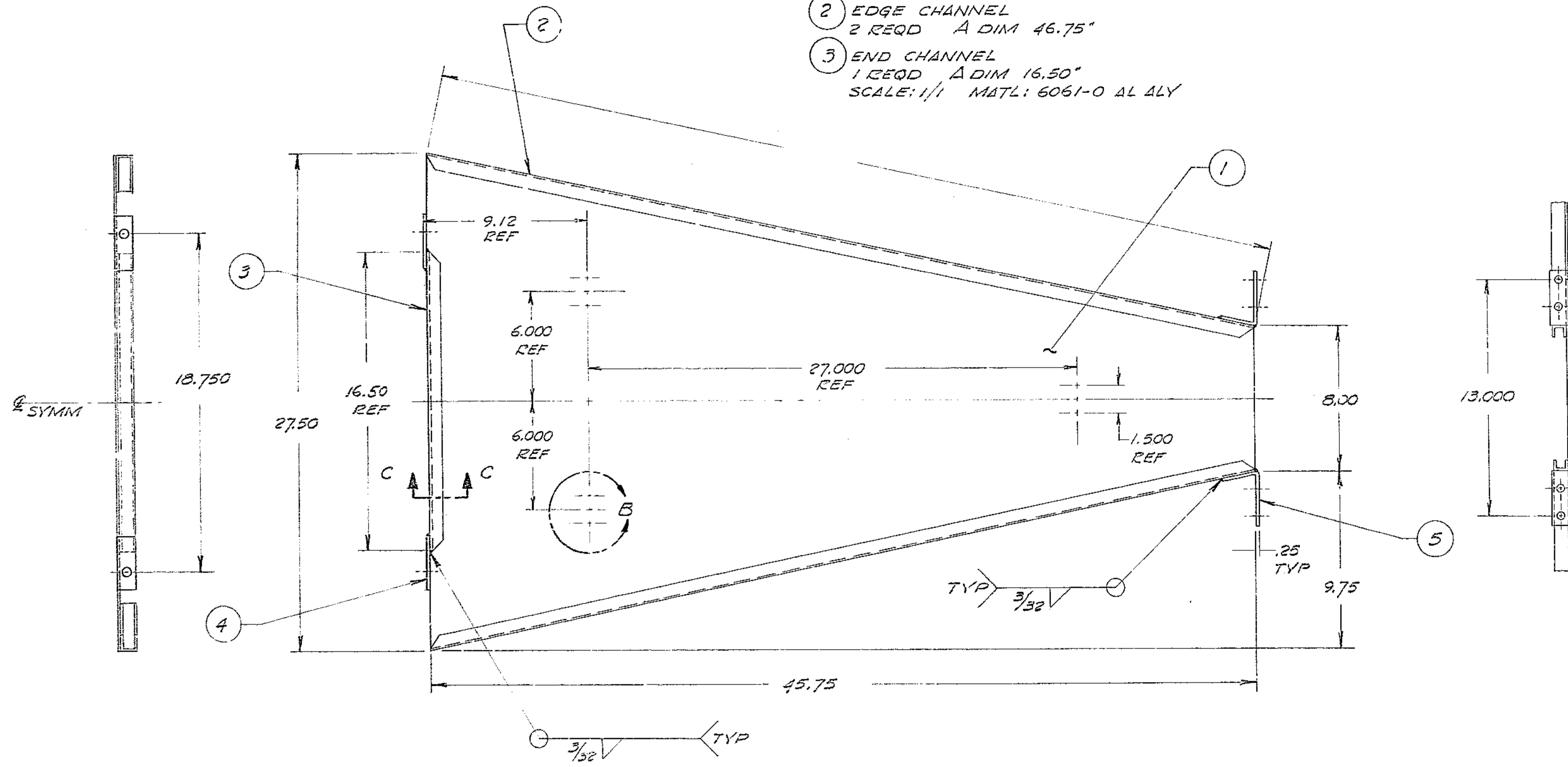


- NOTES: UNLESS OTHERWISE NOTED
1. REMOVE ALL BURRS AND SHARP EDGES
 2. MACHINED SURFACE ROUGHNESS $125\sqrt{\text{in}}$
 3. MATERIAL: 6061 AL ALY
 4. WELD PER AURA SPEC 9020-A1 EXCEPT STRESS RELIEVE
 5. PAINT PER AURA SPEC 9034-A1-1 FLAT BLACK



REVISIONS						
ZONE	LTR	DESCRIPTION	ECR	DATE	BY	APVD

- (2) EDGE CHANNEL
2 REQD A DIM 46.75"
- (3) END CHANNEL
1 REQD A DIM 16.50"
SCALE: 1/1 MATL: 6061-0 AL ALY



- (4) MOUNTING PLATE
2 REQD - 6061-T6 AL ALY
SCALE: 1/1

- (5) MOUNTING ANGLE
2 REQD - 6061-T6 AL ALY
SCALE: 1/1

QTY REQD	PART OR IDENTIFYING NO.	DESCRIPTION	MATERIAL/SPECIFICATION	ZONE	ITEM NO.
					10
					9
					8
					7
					6
2		MTG ANGLE	6061-T6 AL ALY		5
2		MTG PLATE	6061-T6		4
1		END CHANNEL	6061-0		3
2		EDGE CHANNEL	6061-0		2
1		BACK PANEL	6061-T6 AL ALY		1

TOLERANCES		UNLESS OTHERWISE NOTED	
DECIMALS	FRACTIONS	DECIMALS	FRACTIONS
.XX ± .03	---	.XX ± .03	---
.XXX ± .010	ANGULAR	.XXX ± .010	ANGULAR
	± 0° 30'		± 0° 30'

PARTS LIST			
4M TELESCOPE			
KITT PEAK NATIONAL OBSERVATORY			
NEXT ASSEMBLY		OPERATED BY THE ASSOCIATION OF UNIVERSITIES FOR RESEARCH IN ASTRONOMY, INC. UNDER CONTRACT WITH NATIONAL SCIENCE FOUNDATION	
2150.500.D115		REF FILE 1189	
SCALE 1/4 ± NOTED		NAME BACK PANEL ASSY	
DESIGNED BY	DATE	APPROVED BY	DATE
DRAWN BY	DATE	APPROVED BY	DATE
CHECKED BY	DATE	APPROVED BY	DATE
DWG NO. 2150.500-D114		REV	
PRINT ISSUED		RELEASE DATE 9 19 80	