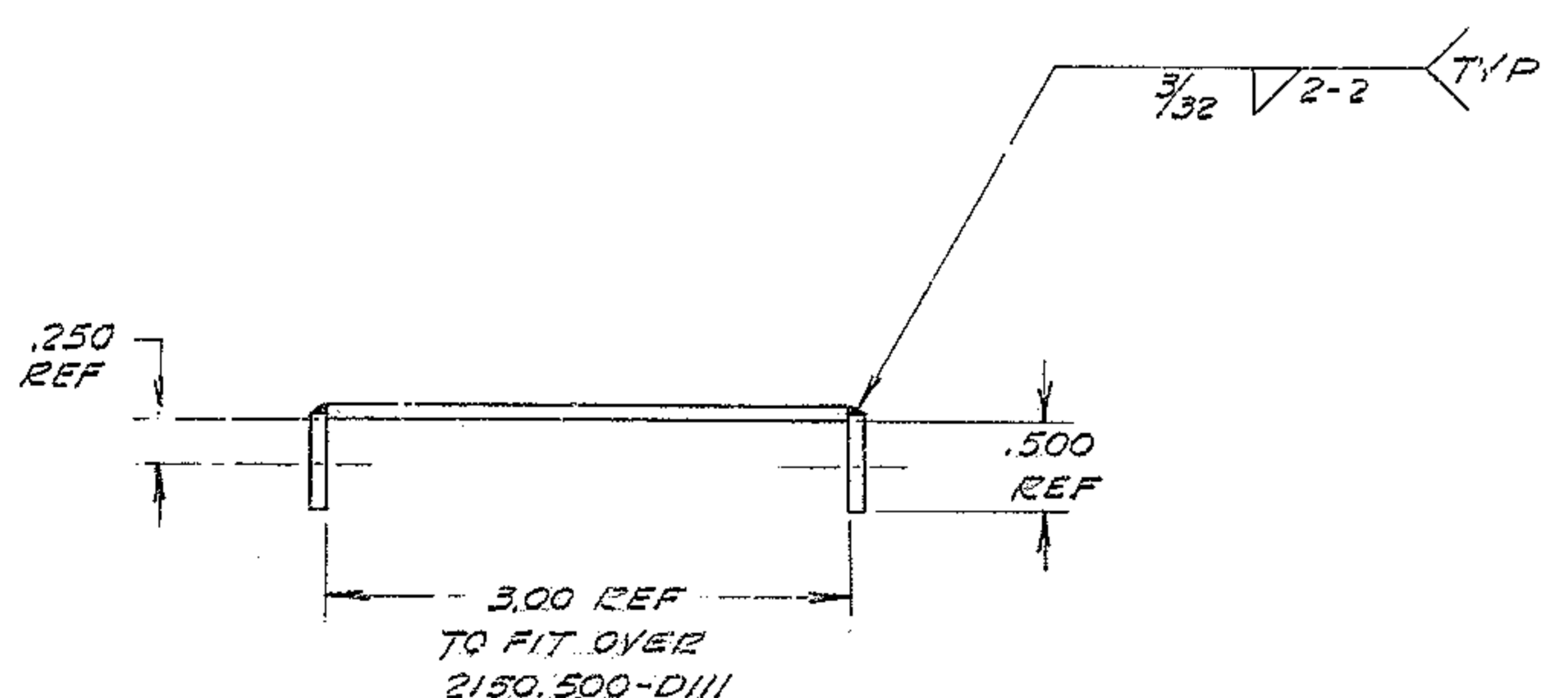
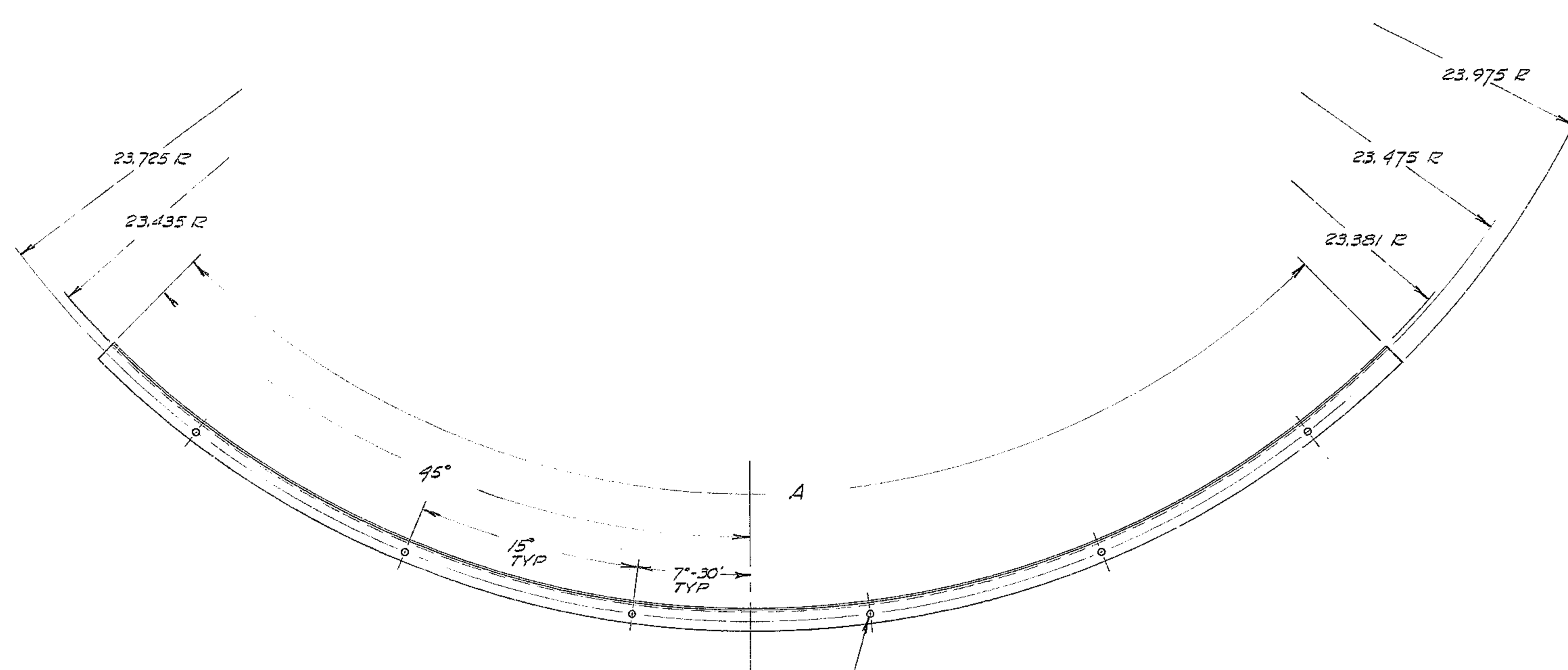


NOTES: UNLESS OTHERWISE NOTED

1. REMOVE ALL BURRS AND SHARP EDGES
2. MACHINED SURFACE ROUGHNESS $125 \sqrt{\text{IN}}$
3. MATERIAL: 6061-T6 AL ALY .090 THK
4. WELD PER AURA SPEC 9020-A1, EXCEPT STRESS RELIEVE
5. BLACK SULFURIC ANODIZE

| REVISIONS | | | | | | |
|-----------|-----|-------------|-----|------|----|------|
| ZONE | LTR | DESCRIPTION | ECR | DATE | BY | APVD |
| | | | | | | |



-1 SHOWN
-2 SAME
EXCEPT AS NOTED

| | |
|----------|-----|
| DASH NO. | A |
| -1 | 90° |
| -2 | 70° |

| 2 | RING SEGMENT | 2 | | | |
|---|-------------------------|-----------------------------|---|--------------------------|------------------|
| 1 | TOP | 1 | | | |
| QTY REQD | PART OR IDENTIFYING NO. | DESCRIPTION | MATERIAL / SPECIFICATION | ZONE | ITEM NO. |
| PARTS LIST | | | | | |
| TOLERANCES UNLESS OTHERWISE NOTED DECIMALS FRACTIONS .XX ± .03 ± --- .XXX ± .010 ANGULAR ± 0° 30' | | | KITT PEAK NATIONAL OBSERVATORY OPERATED BY THE ASSOCIATION OF UNIVERSITIES FOR RESEARCH IN ASTRONOMY, INC. UNDER CONTRACT WITH NATIONAL SCIENCE FOUNDATION | | |
| NEXT ASSEMBLY 2150.501-5002 | | | NAME COVER-WIRE RACEWAY | | REF FILE 1215 |
| SCALE 1/2 PRINT ISSUED | | DESIGNED BY DATE 6-15-80 | APPROVED BY DATE 6-15-80 | DWG NO. 2150.500-D112 | REV |
| | | CHECKED BY DATE 6-15-80 | APPROVED BY DATE 6-15-80 | RELEASE DATE 10-10-80 | |