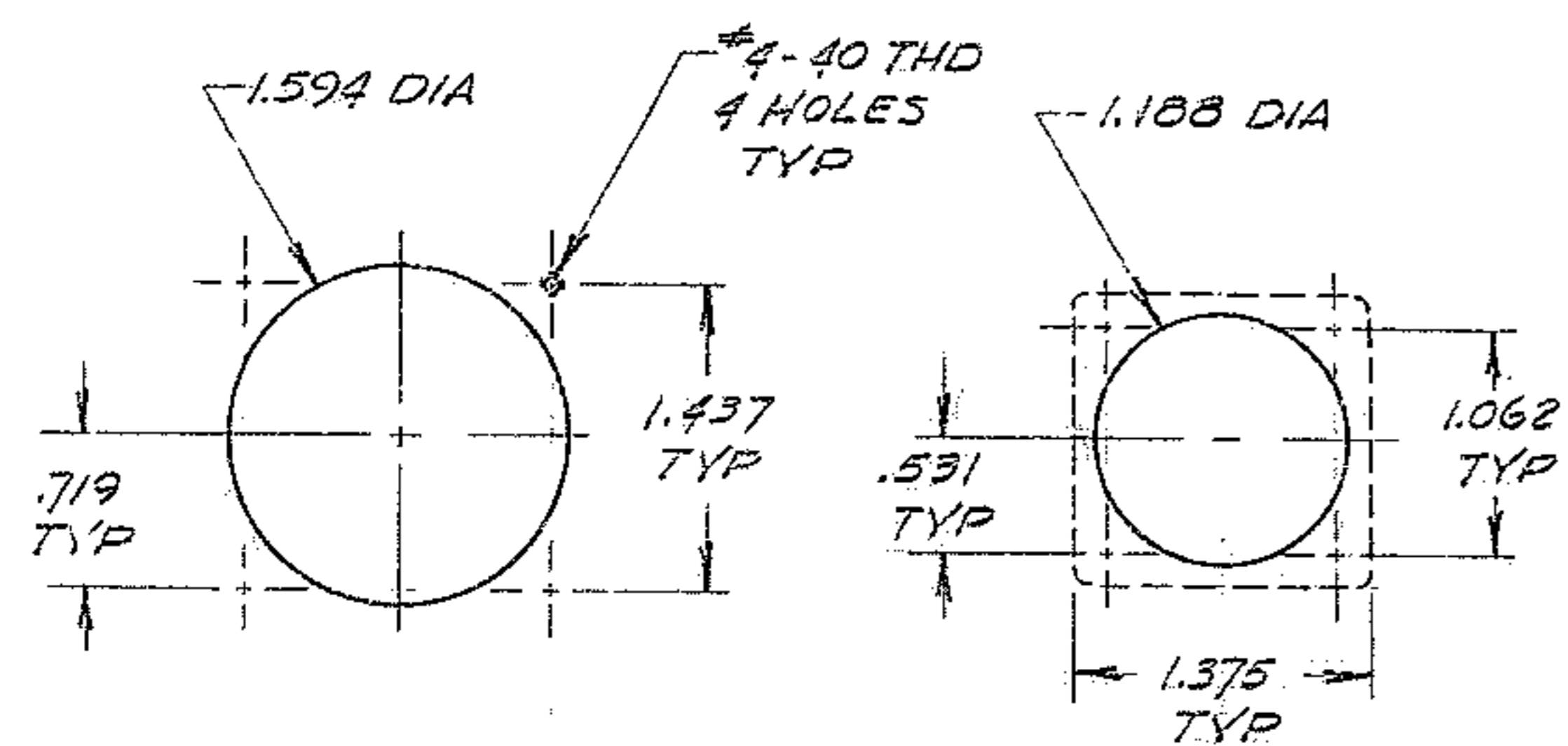
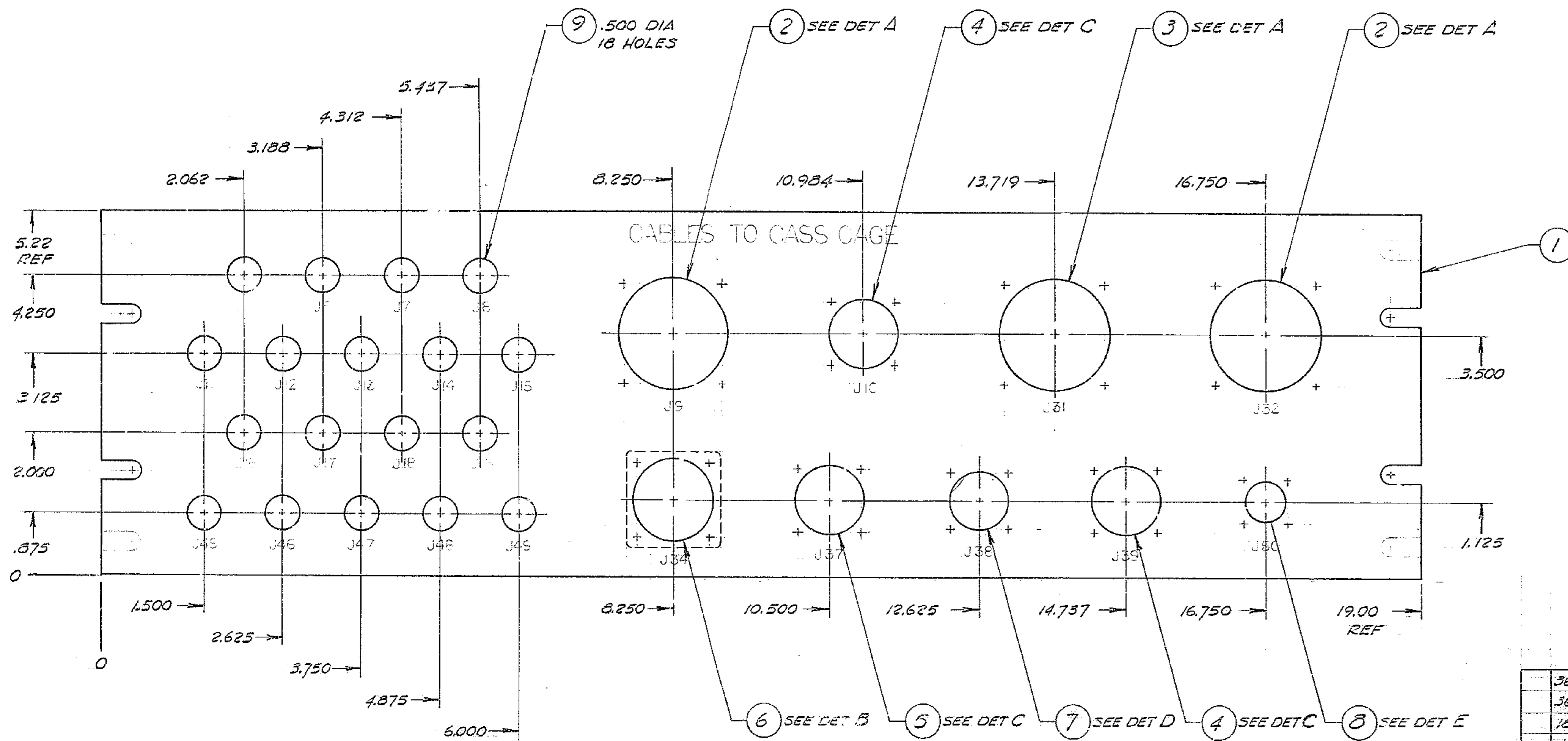
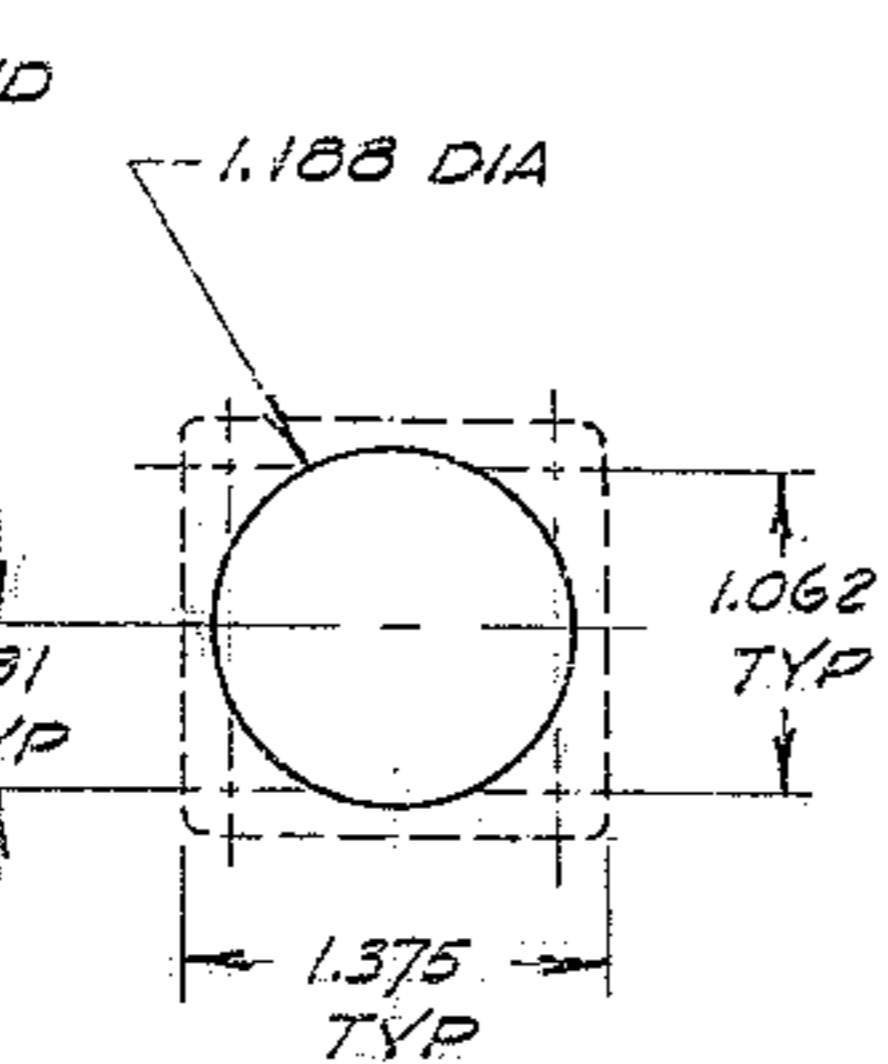


- NOTES: UNLESS OTHERWISE NOTED
1. REMOVE ALL BURRS AND SHARP EDGES
 2. MACHINED SURFACE ROUGHNESS $125/\sqrt{}$
 3. MATERIAL: $5/8 \times 19 \times .125$ CHASSIS FRONT PANEL
 4. FINISH AS PER 8801-0001

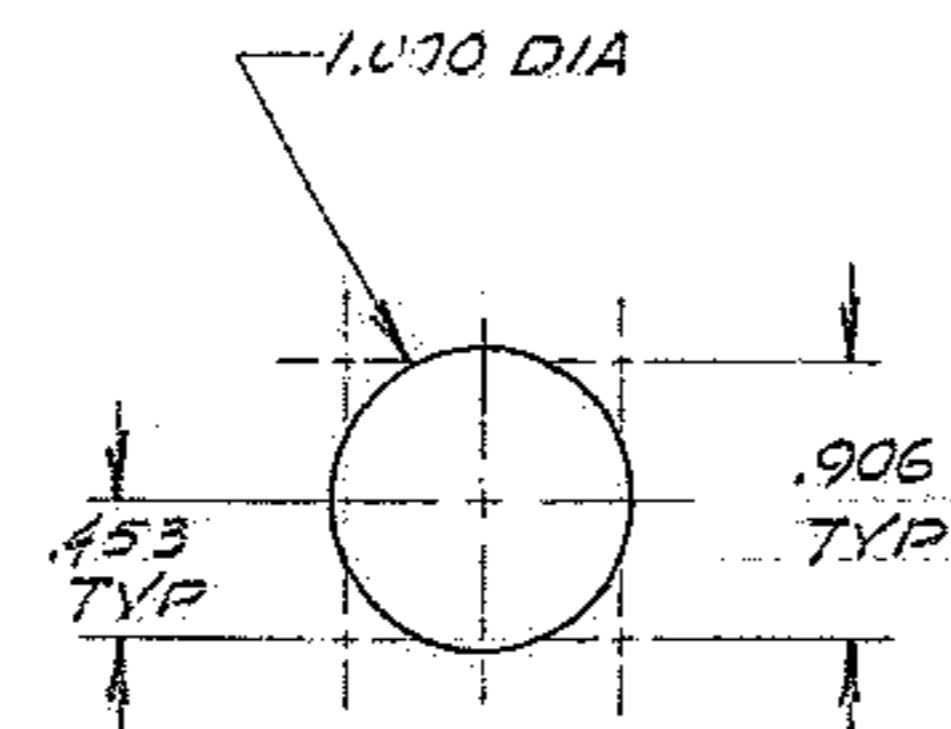
REVISIONS						
ZONE	LTR	DESCRIPTION	ECR	DATE	BY	APVD



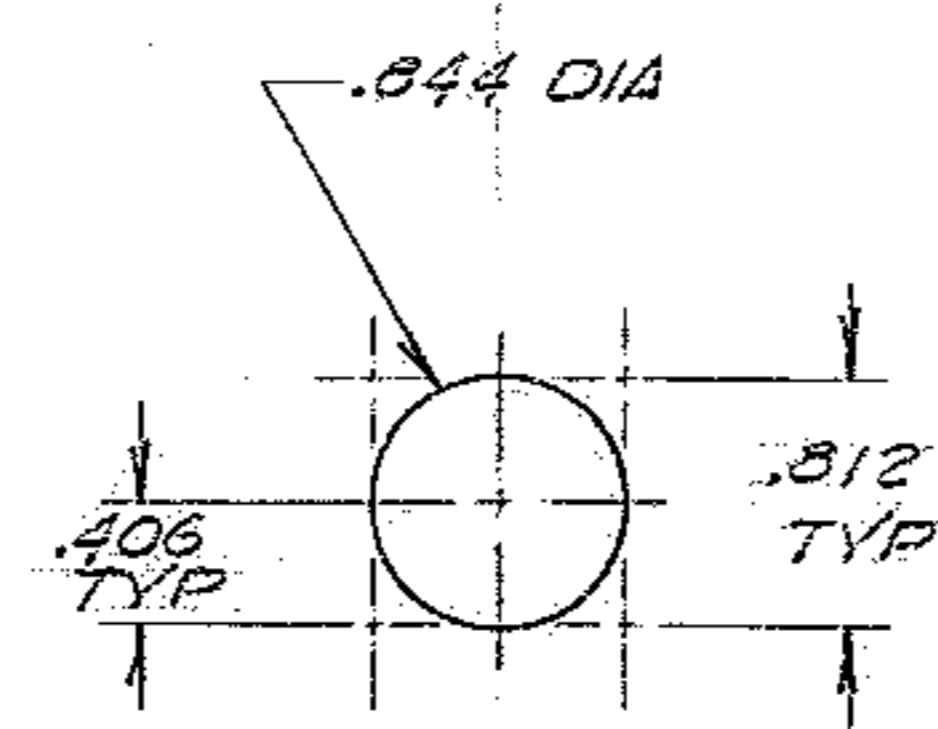
DETAIL A



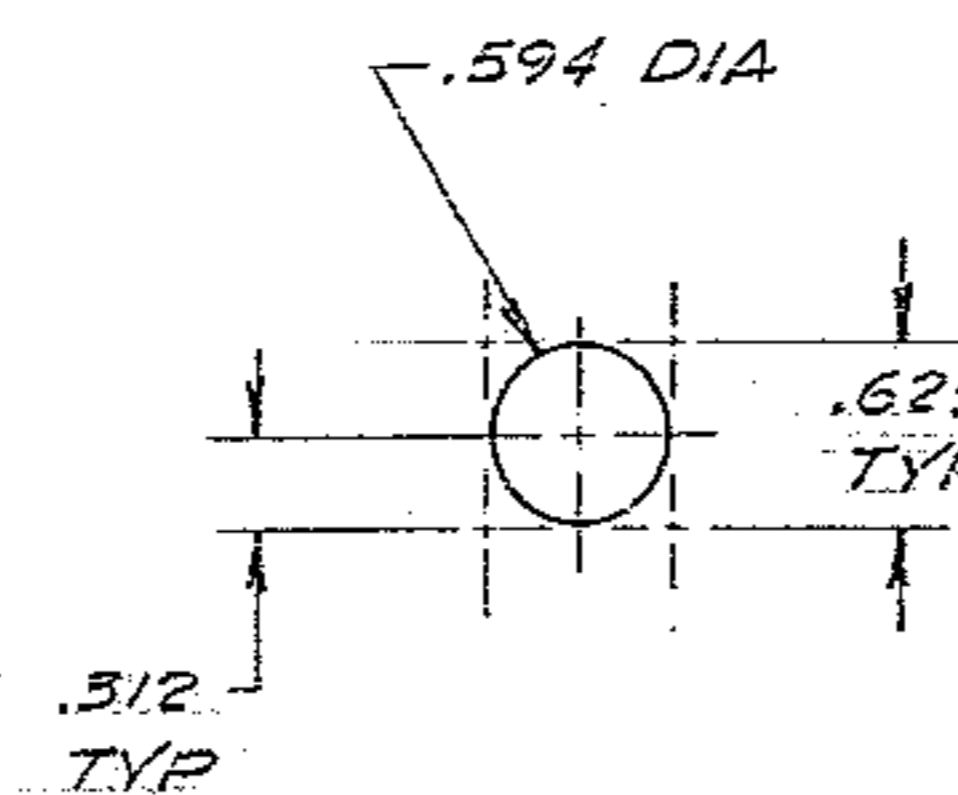
DETAIL B
CUTOUT FAR SIDE .040 DP
FOR CONNECTOR FLANGE
1 PLACE ONLY



DETAIL C



DETAIL D



DETAIL E

QTY REQD	PART OR IDENTIFYING NO.	DESCRIPTION	MATERIAL/SPECIFICATION	ZONE	ITEM NO.
36		#4 INT TOOTH LOCK WASHER			11
36		#4-40 X 1/4 SOC HD CAP SCR			10
18	KC 99-40	CONNECTOR	KING		9
1	750-3-OSN		DEUTSCH		8
1	750-12-OSN		DEUTSCH		7
1	90A18-22SNE		BUENDY		6
1	750-19-OPN		DEUTSCH		5
2	750-19-OSN				4
1	750-61-OSN				3
2	750-61-OPN	CONNECTOR	DEUTSCH		2
1		PANEL			1

PARTS LIST

TOLERANCES
UNLESS OTHERWISE NOTED
DECIMALS FRACTIONS
XX ± .03 ±
XXX ± .010 ANGULAR ± 0° 30'

KITT PEAK NATIONAL OBSERVATORY
OPERATED BY THE ASSOCIATION OF UNIVERSITIES FOR RESEARCH IN ASTRONOMY, INC.
UNDER CONTRACT WITH NATIONAL SCIENCE FOUNDATION

NAME: P.F. CAGE
CONNECTOR PANEL
REF FILE: 1215

SCALE: 1/1
PRINT ISSUED

DESIGNED BY: [Signature] DATE: 6-17-80
DRAWN BY: [Signature] DATE: 6-17-80
CHECKED BY: [Signature] DATE: 6-17-80

APPROVED BY: [Signature] DATE: 7-1-80
APPROVED BY: [Signature] DATE: 7-1-80
APPROVED BY: [Signature] DATE: 7-1-80

DWG NO.: 2150.500-D109
RELEASE DATE: 10-20-80