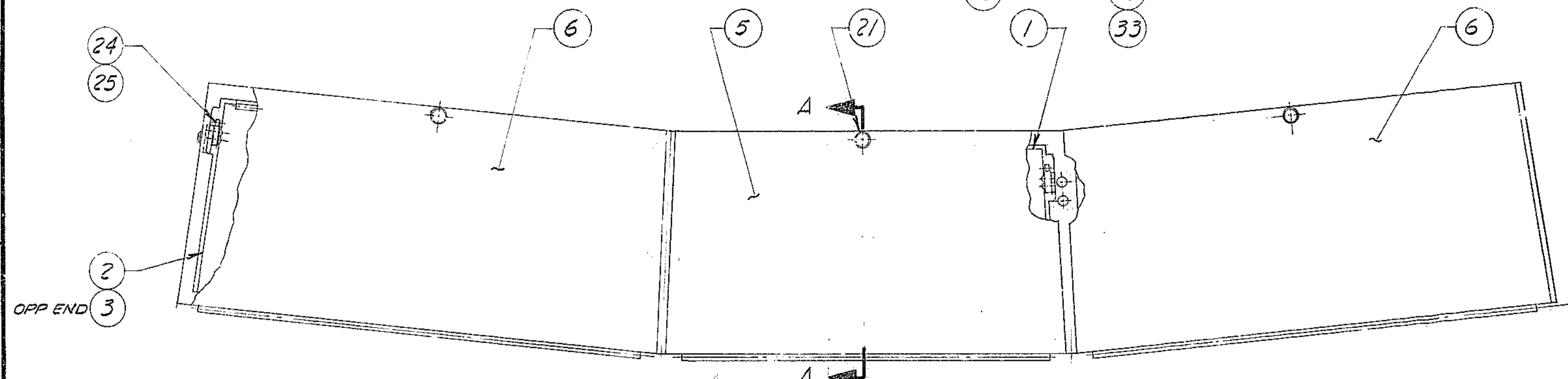
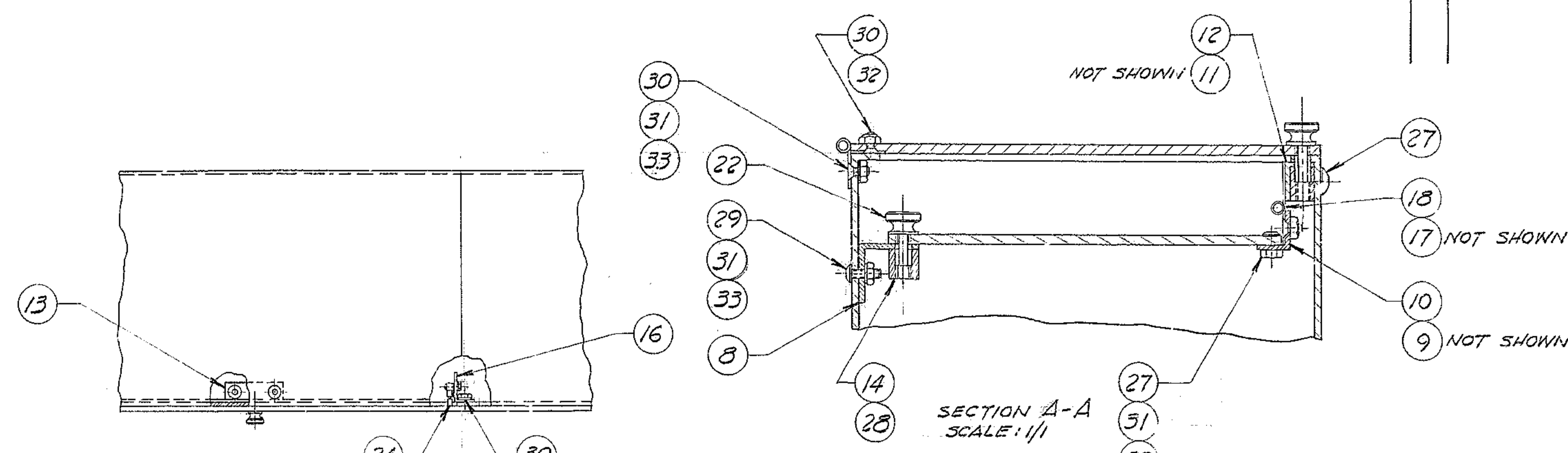


NOTES: UNLESS OTHERWISE NOTED  
 1. REMOVE ALL BURRS AND SHARP EDGES  
 2. MACHINED SURFACE ROUGHNESS  $\sqrt{125}$

REVISIONS					
ZONE	LTR	DESCRIPTION	ECR	DATE	BY / APVD



111		*4 LOCK WASHER - INT TOOTH			33
17		*4 ELASTIC STOP NUTS			32
111		*4-40 HEX NUT			31
88		*4-40 X 1/4 FL HD SOC CAP SCR			30
44		*4-40 X 7/8 BUT HD SOC CAP SCR			29
6		*4-40 X 1/2 FL HD SOC CAP SCR			28
6		*10-32 X 1/2 BUT HD SOC CAP SCR			27
					26
3	JX-45	ACTUATOR	MICRO SW	5A, 5C	25
3	ISX1-T	SWITCH	MICRO SW	5A, 5C, 5C	24
					23
1	2150.500 B118-2	CAPTIVE SCREW			4D
2	B118-1	CAPTIVE SCREW			6C
1	B115-2	COVER HINGE			7B
2	B115-1	COVER HINGE			5B
1	B114-2	PANEL HINGE			2D
2	B114-1	PANEL HINGE			2D
1	B113	SWITCH MOUNT - CTR			4D
2	B112	SWITCH PLATE			4B
3	B111	CLAMP BLOCK - PANEL			4C
5	B110	CLAMP BLOCK - COVER			6D
1	B109	HINGE MOUNT - SHORT			3D
2	B108	HINGE MOUNT - LONG			3D
1	B107-2	PANEL HINGE SUPPORT			2D
2	B107-1	PANEL HINGE SUPPORT			2D
1	B106-2	PANEL REST			4C
2	B106-1	PANEL REST			8A
2	C112	END COVER			4C, 7C
1	C108	COVER - MIDDLE			6C
1	D108	BOX MECHANICAL			4A
1	D106	R.H. PANEL			8B
1	D105	L.H. PANEL			8B
1	2150.500 D104	MID PANEL ASSY			5C

QTY REQD	PART OR IDENTIFYING NO.	DESCRIPTION	MATERIAL / SPECIFICATION	ZONE	ITEM NO.
<b>PARTS LIST</b>					
TOLERANCES UNLESS OTHERWISE NOTED					
DECIMALS FRACTIONS					
XX ± .03 ± —					
XXX ± .010 ANGULAR ± 0° 30'					
NEXT ASSEMBLY 2150.500 E002					
<b>4 M TELESCOPE PF CABLING</b>					
<b>KITT PEAK NATIONAL OBSERVATORY</b>					
OPERATED BY THE ASSOCIATION OF UNIVERSITIES FOR RESEARCH IN ASTRONOMY, INC. UNDER CONTRACT WITH NATIONAL SCIENCE FOUNDATION					
NAME					REF FILE 1215
30X ASSY-1AJB3					
SCALE 1/2					
PRINT ISSUED					
DESIGNED BY	DATE	APPROVED BY	DATE	DWG NO.	REV
	8-17-80			2150.500 D107	
DRAWN BY	DATE	APPROVED BY	DATE		
	8-17-80		10-12-80		
CHECKED BY	DATE	APPROVED BY	DATE	RELEASE DATE	
				10-10-80	