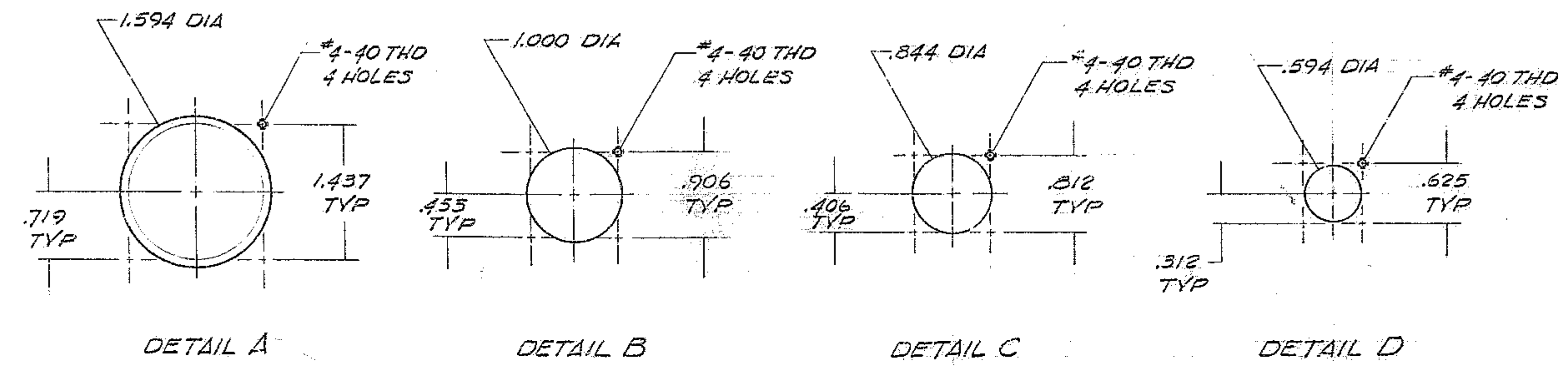
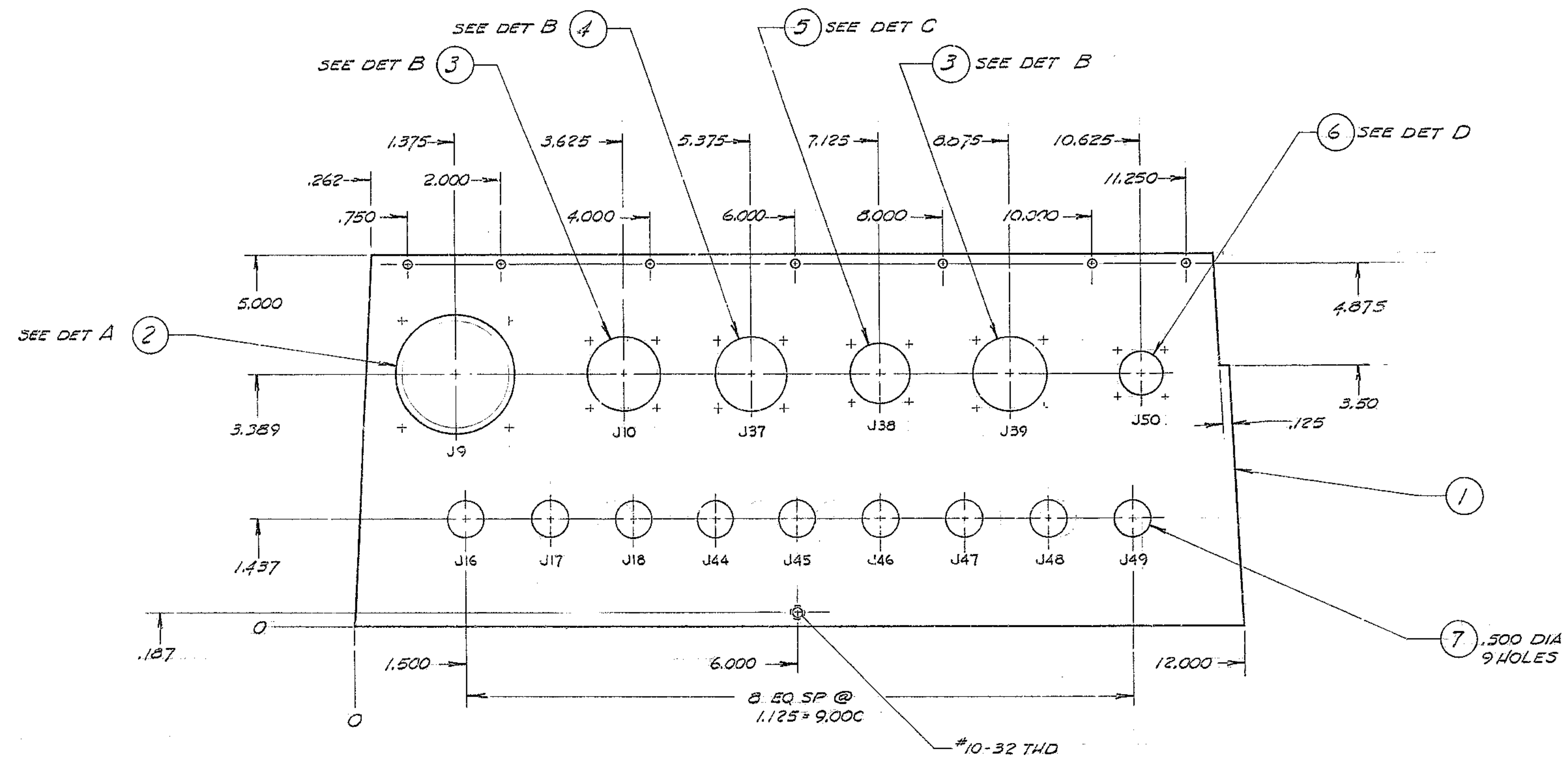


NOTES: UNLESS OTHERWISE NOTED
 1. REMOVE ALL BURRS AND SHARP EDGES
 2. MACHINED SURFACE ROUGHNESS $125\sqrt{\text{in}}$
 3. MATERIAL: 6061-T6 AL ALY
 4. FINISH AS PER 8801-D001

REVISIONS						
ZONE	LTR	DESCRIPTION	ECR	DATE	BY	APVD



QTY REQD	PART OR IDENTIFYING NO.	DESCRIPTION	MATERIAL/SPECIFICATION	ZONE	ITEM NO.
24		#4 INT TOOTH LOCK WASHER		10	
24		#4-40 X 1/8 SOC HD CAP SCR		9	
9	KC99-40	CONNECTOR	KINGS	7	
1	750-3-OPN		DEUTSCH	6	
1	750-12-OPN			5	
1	750-19-OSN			4	
2	750-19-OPN			3	
1	750-61-OSN	CONNECTOR	DEUTSCH	2	
1		PANEL 1/8 X 5 X 12	6061-T6 AL ALY	1	

PARTS LIST

TOLERANCES
 UNLESS OTHERWISE NOTED
 DECIMALS FRACTIONS
 .XX ± .03 ±
 .XXX ± .010 ANGULAR ± 0° 30'

KITT PEAK NATIONAL OBSERVATORY
 OPERATED BY THE
 ASSOCIATION OF UNIVERSITIES FOR RESEARCH IN ASTRONOMY, INC.
 UNDER CONTRACT WITH
 NATIONAL SCIENCE FOUNDATION

NEXT ASSEMBLY: 2150.500-D107

NAME: **RIGHT HAND PANEL-1AJB3 BOX** REF FILE: 1215

SCALE: 1/1

DESIGNED BY	DATE	APPROVED BY	DATE	DWG NO.	REV
				2150.500-D106	

PRINT ISSUED: 10-2-80