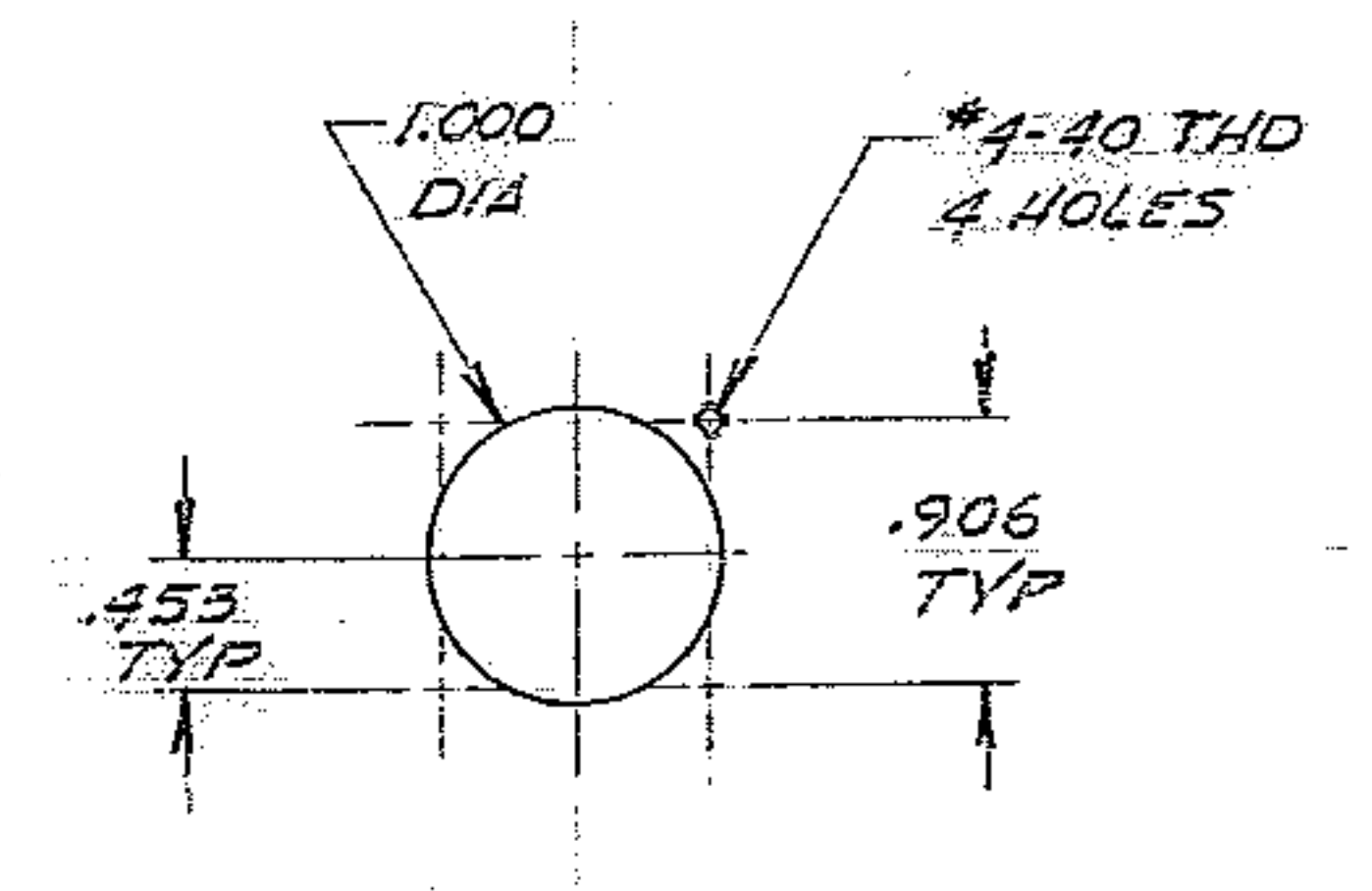
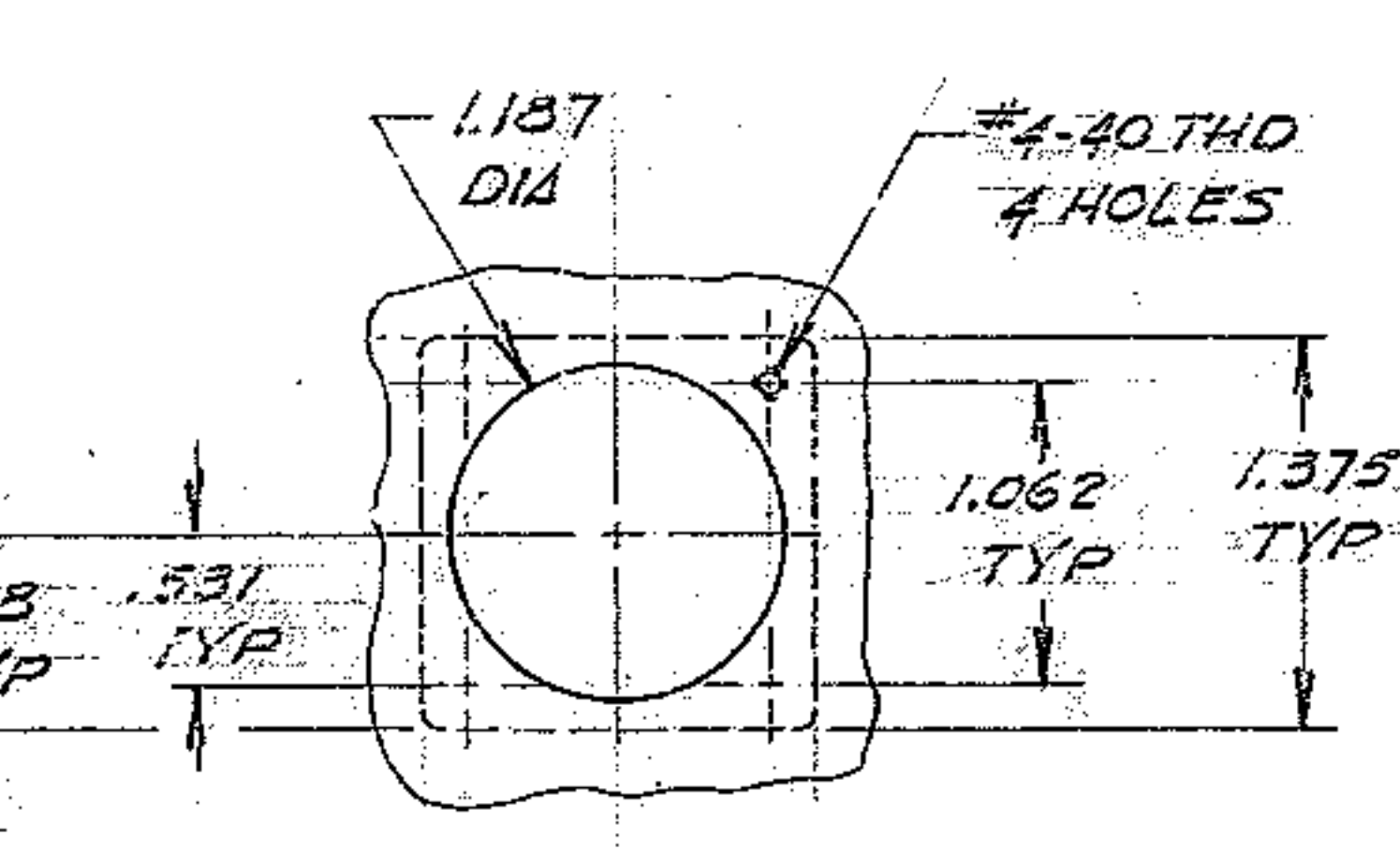
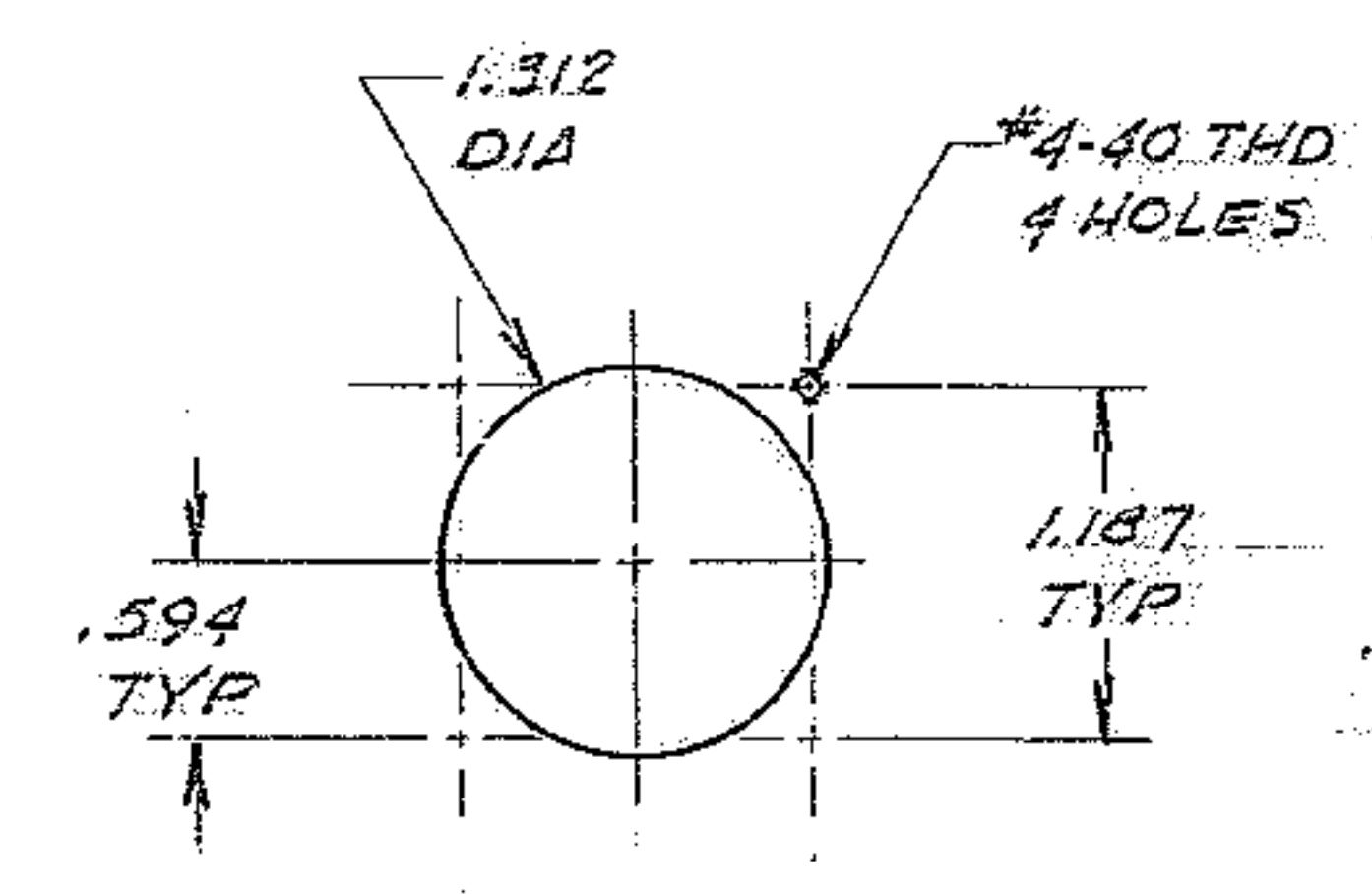
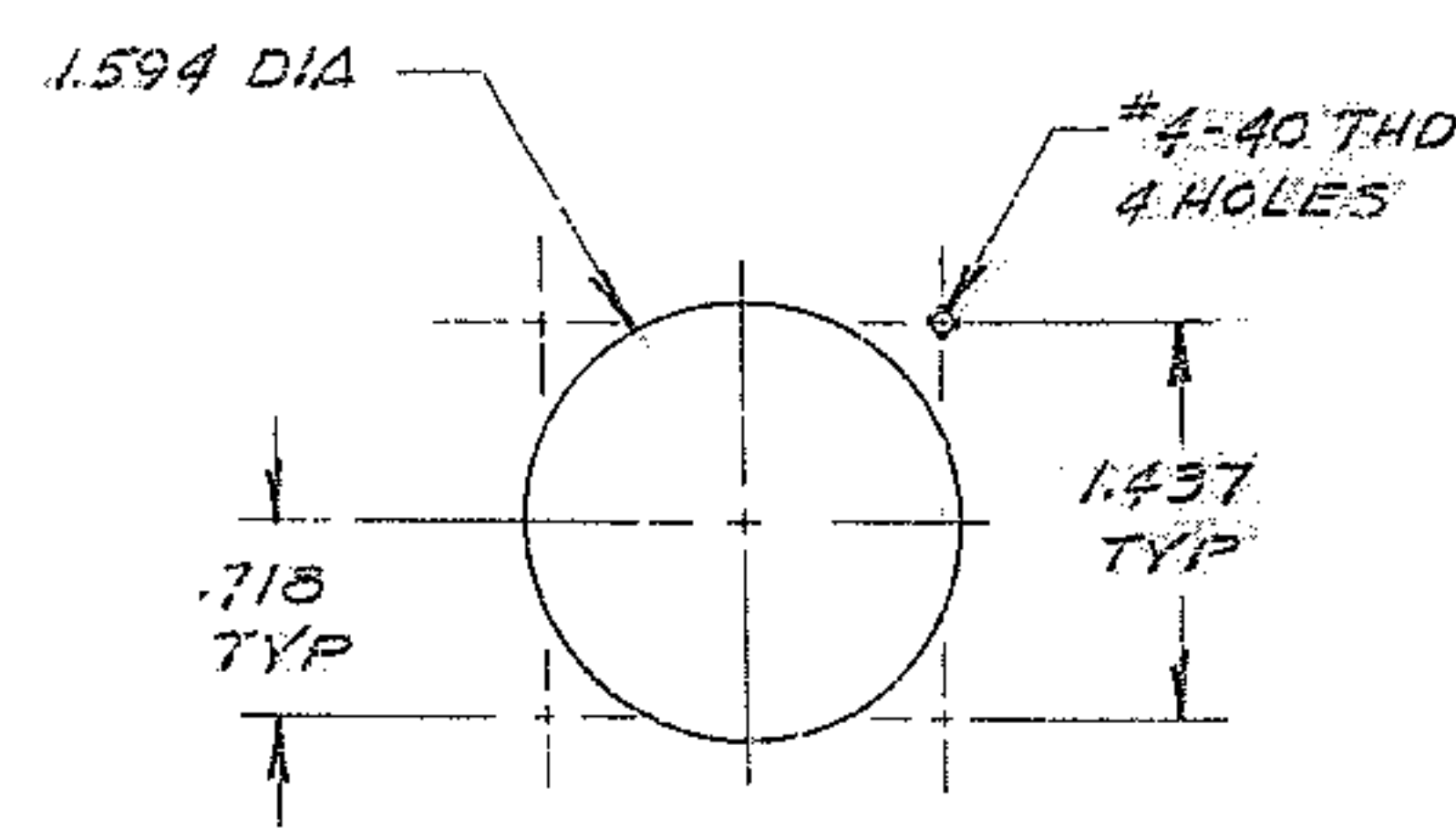
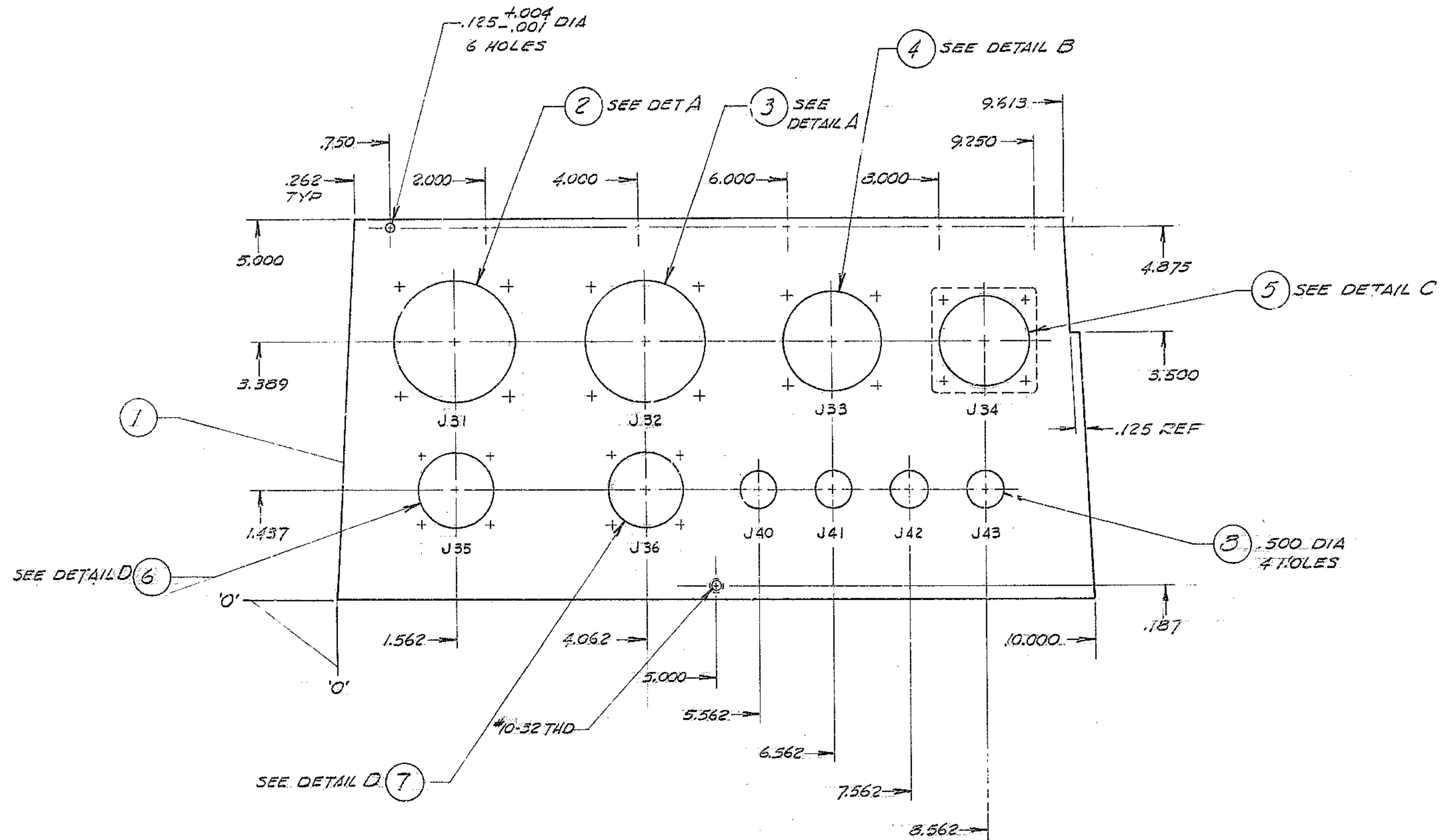


- NOTES: UNLESS OTHERWISE NOTED**
1. REMOVE ALL BURRS AND SHARP EDGES
 2. MACHINED SURFACE ROUGHNESS $125 \sqrt{}$
 3. MATERIAL: 6061-T6 AL ALY
 4. FINISH AS PER 8801-DC01
 5. IDENTIFY AS SHOWN USING 'KROY' TRANSFERS APPROX $1/8$ " HIGH LETTERS. CLEAR SPRAY TO FIX AT ASSY

REVISIONS					
ZONE	LTR	DESCRIPTION	ECR	DATE	BY



DETAIL C
CUTOUT FAR SIDE .040 DP
FOR CONNECTOR FLANGE
1 PLACE ONLY

QTY REQD	PART OR IDENTIFYING NO.	DESCRIPTION	MATERIAL / SPECIFICATION	ZONE	ITEM NO.
24		#4-40 X 1/4 SOC HD CAP SCR			10
24		#4 INT TOOTH LOCK WASHER			9
4	KC-99-40	CONNECTOR-BNC	KING		8
1	750-19-OPN	CONNECTOR	DEUTSCH		7
1	050019-12P		DEUTSCH		6
1	90A-18-22SNE		BURNDY		5
1	750-37-OPN		DEUTSCH		4
1	750-61-05N				3
1	750-61-05N	CONNECTOR	DEUTSCH		2
1		PANEL	1/8 X 5 X 10-6061-T6 AL ALY		1

PARTS LIST

TOLERANCES
UNLESS OTHERWISE NOTED
DECIMALS FRACTIONS
XX ± .03 ±
XXX ± .010 ANGULAR ± 0° 30'

KITT PEAK NATIONAL OBSERVATORY
OPERATED BY THE
ASSOCIATION OF UNIVERSITIES FOR RESEARCH IN ASTRONOMY, INC.
UNDER CONTRACT WITH
NATIONAL SCIENCE FOUNDATION

NAME: MID PANEL ASSY-1AUB3 BOX
REF FILE: 1215
DWG CL: CL

SCALE: 1/1
PRINT ISSUED: 2150.500-D104
RELEASE DATE: 10-2-80

DESIGNED BY	DATE	APPROVED BY	DATE	DWG NO.	REV
				2150.500-D104	
CHECKED BY	DATE	APPROVED BY	DATE		