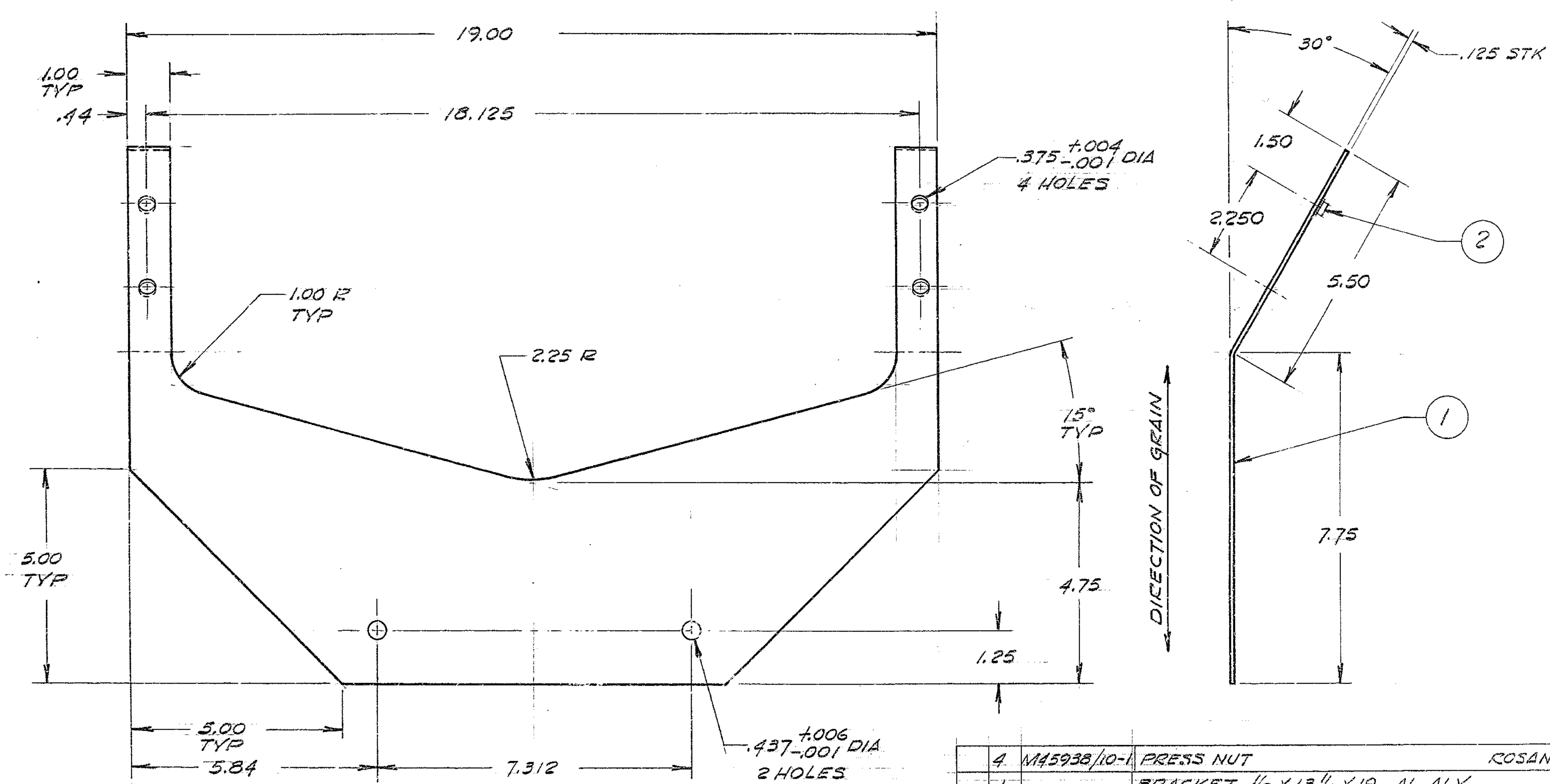


NOTES: UNLESS OTHERWISE NOTED

1. REMOVE ALL BURRS AND SHARP EDGES _____ R MAX
2. MACHINED SURFACE ROUGHNESS $125\sqrt{\text{ }}$
3. MATERIAL: 6061-T6 AL ALY
4. BLACK SULFURIC ANODIZE

REVISIONS						
ZONE	LTR	DESCRIPTION	ECR	DATE	BY	APVD



4	MA5938/10-1	PRESS NUT	ROGAN	2
1		BRACKET 1/8 X 13 1/4 X 19 AL ALY		1
QTY REQD	PART OR IDENTIFYING NO.	DESCRIPTION	MATERIAL / SPECIFICATION	ITEM NO.
PARTS LIST				
TOLERANCES UNLESS OTHERWISE NOTED		KITT PEAK NATIONAL OBSERVATORY		
DECIMALS	FRACTIONS	ANGULAR	OPERATED BY THE ASSOCIATION OF UNIVERSITIES FOR RESEARCH IN ASTRONOMY, INC. UNDER CONTRACT WITH NATIONAL SCIENCE FOUNDATION	
.XX ± .03	±	± 0° 30'		
.XXX ± .010				
NEXT ASSEMBLY	NAME	REF FILE		
2150.501-5002	BRACKET-CONNECTOR PANEL, P.F.CAGE	1190		
SCALE 1/2	DESIGNED BY GRIFITH	DATE 6-18-80	APPROVED BY	DATE
PRINT ISSUED	DRAWN BY GRIFITH	DATE 6-18-80	APPROVED BY	DATE
	CHECKED BY	DATE	APPROVED BY	DATE
			DWG NO. 2150.500-C111	REV
			RELEASE DATE 10-2-80	