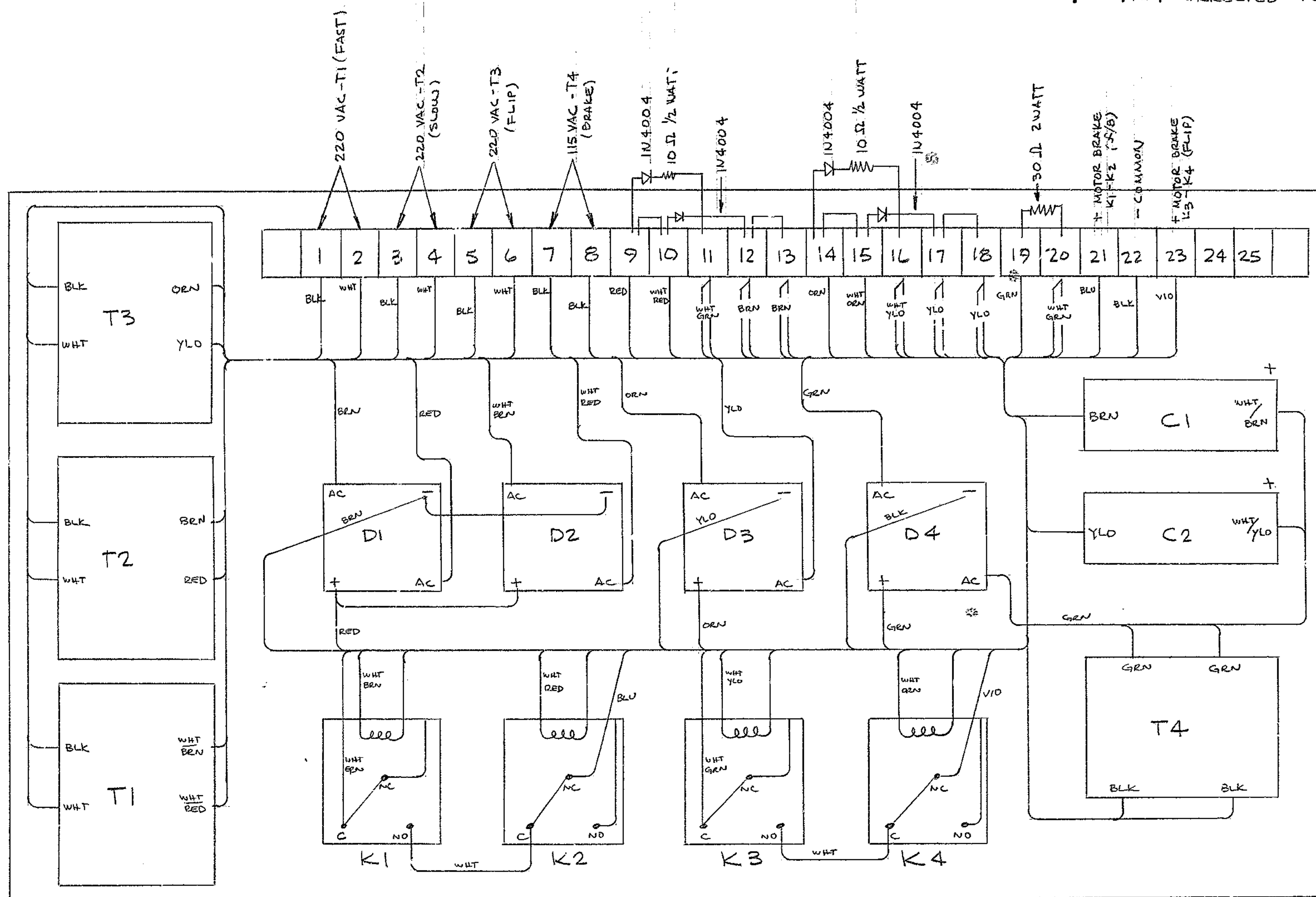


REVISIONS				
ZONE	LTR	DESCRIPTION	DATE	APPROVED
	A	CORRECTED PER AURA REQ.	12-3-73	RL



REF. NO. 1215

REF. NO REQ. 2

- ⑧ 30 Ω 2 WATT RESISTOR 1 REQ.
- ⑦ 10 Ω 1/2 WATT RESISTOR 2 REQ.
- ⑥ IN 4004 DIODE 4 REQ.
- ⑤ T4 STANCOR TRANSFORMER P-8357
- ④ T1-T3 DORMEYER TRANSFORMER DCT-20-240
- ③ K1-K4 LEACH RELAYS 9226-4429
- ② C1-C2 1000 μF 50V CAPACITOR -SPRAGUE-39D118G030GP 4
- ① D1-D4 SEMTECH "ALPHA" SCBA-4

FIND NO.	PART NO.	DESCRIPTION	QTY	MATERIAL	CODE IDENT
LIST OF MATERIAL (LM)					
LIMITS ON MACHINED DIMENSIONS EXCEPT AS NOTED ANGULAR = ± 1° LINEAR: .X = ± .1 .XXX = ± .010 .XX = ± .03 FRACTIONAL = ± 1/32		150 STELLAR TELESCOPE		Western GEAR CORPORATION HEAVY MACHINERY DIVISION EVERETT, WASHINGTON	
DRAWN RC CHECK ENGR		DC. POWER SUPPLY WIRING DIAGRAM-TERM. STRIP I.D.			
MATERIAL REF		APPROVED		SIZE C 16603	CODE IDENT NO. 2150.500 C106
		SCALE	WT	LB	SHEET OF 1

N/A 2150.500 D102