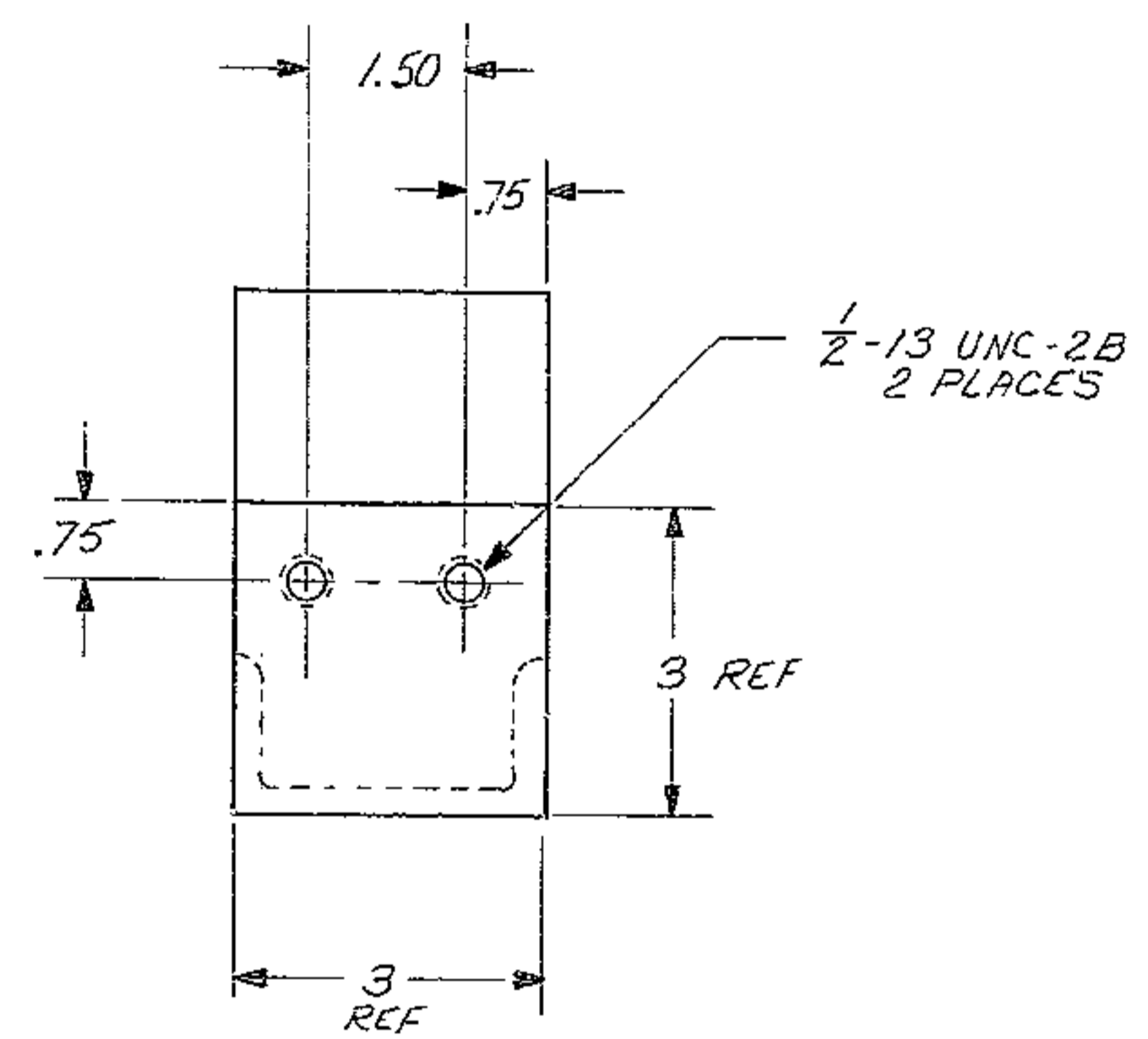
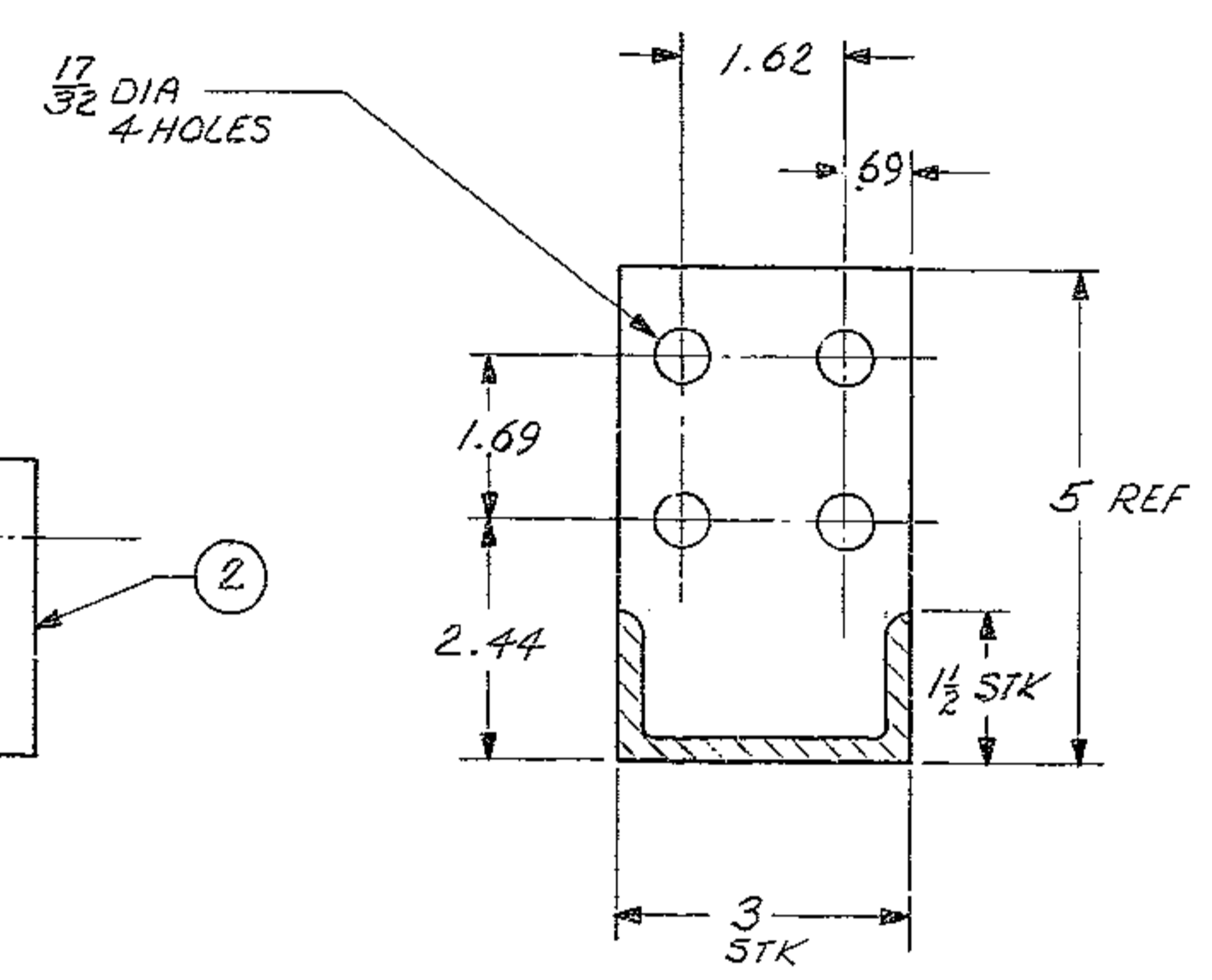
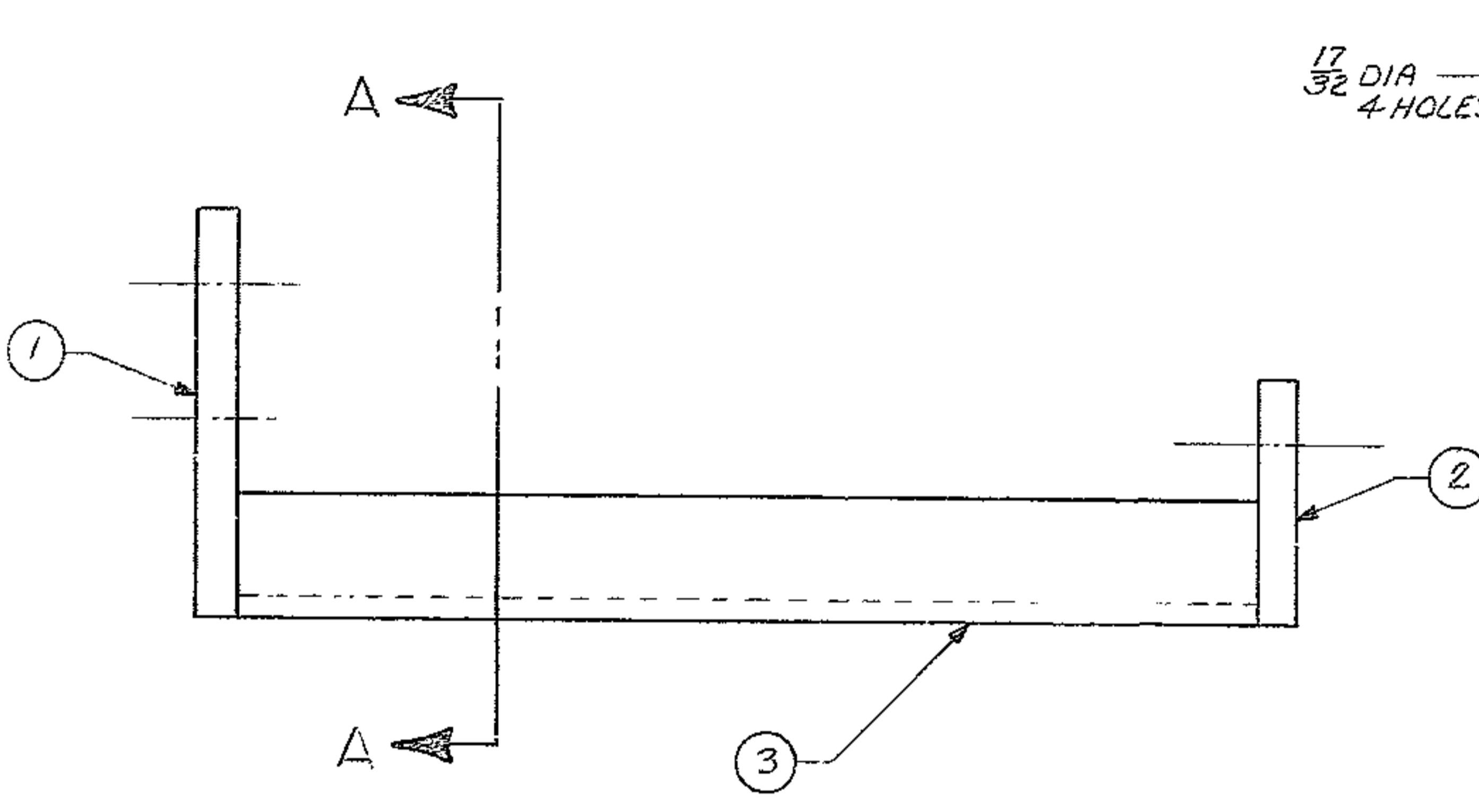
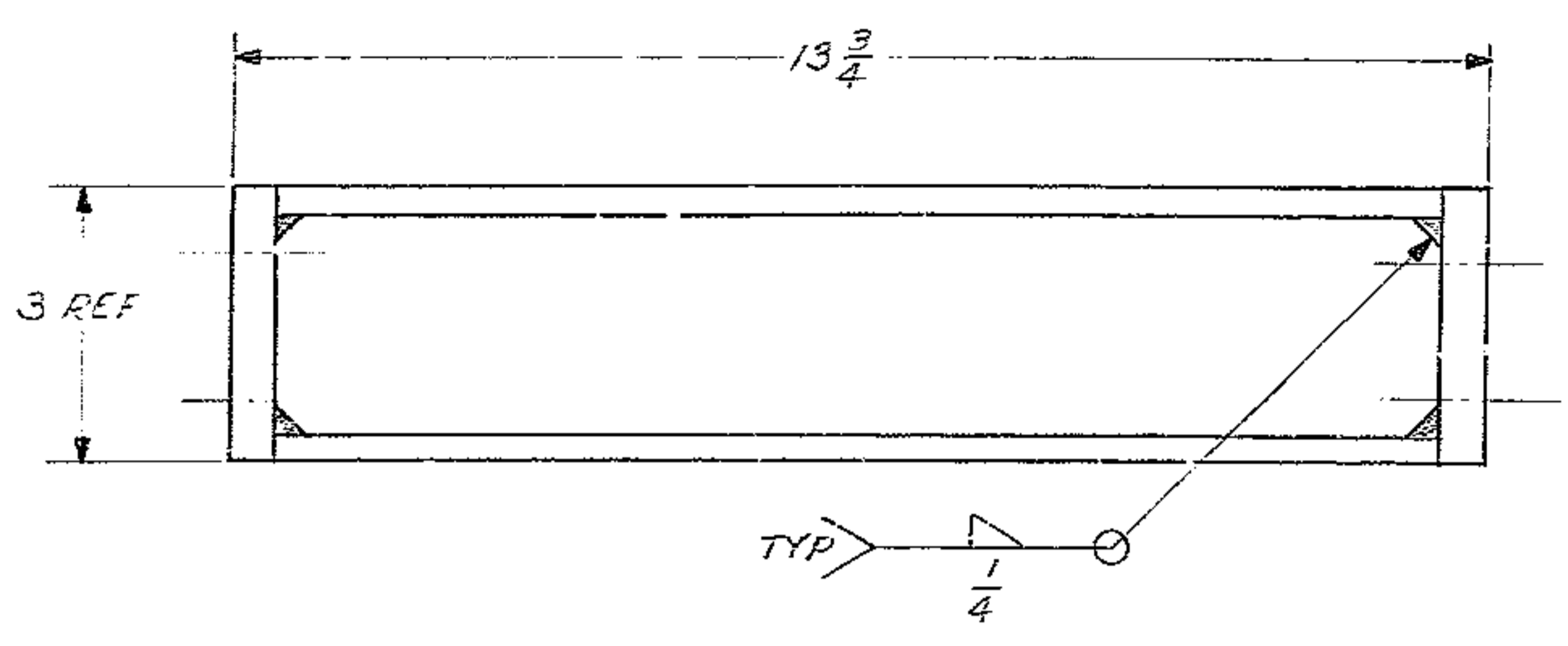


BILL OF MATERIAL				
ITEM	QTY.	MATERIAL	DESCRIPTION	WEIGHT
1	1	STEEL	3x5x $\frac{1}{2}$ BAR OR PLATE	
2	1	STEEL	3x3x $\frac{1}{2}$ BAR OR PLATE	
3	1	STEEL	3x5.0" CHANNEL (WEB $\frac{1}{2}$ FLANGE $1\frac{1}{2}$ )	



SECTION A-A

6. SANDBLAST CLEAN AND PRIME PAINT
- 5-BREAK SHARP EDGES .03
- 4-IDENTIFY BY \_\_\_\_\_ AT LOCATION \_\_\_\_\_ AURA INC. MADE IN U.S.A.
- 3-STAMP MATCH MARKS ON ALL MATING PARTS WHERE NECESSARY.
- 2-PROJECT DRAWINGS \_\_\_\_\_
- 1-FOR NEXT ASSY. SEE 2150.004/014 E 003 (2120L 160)
- NOTES-

TOLERANCES UNLESS OTHERWISE NOTED			
DECIMAL DIMENSIONS			
00.00 ± .010			
00.000 ± .003			
FRACTIONAL DIMENSIONS			
UP TO 18' ± 1/64			
18' TO 50' ± 1/32			
50' & OVER ± 1/16			
ANGLES ± 0° -30'			
ALL SURFACES TO HAVE 125/ FINISH UNLESS OTHERWISE NOTED.			
DESIGNED BY	DATE	APPROVED BY	DATE
J. SHIPLEY	7/10/72		
DRAWN BY	DATE	APPROVED BY	DATE
J. SHIPLEY	7/10/72		
CHECKED BY	DATE	APPROVED BY	DATE
F. HENRY	10-6-72		
LET.	REVISION	ECR	DATE BY

**KITT PEAK NATIONAL OBSERVATORY**  
 OPERATED BY THE ASSOCIATION OF UNIVERSITIES FOR RESEARCH IN ASTRONOMY, INC.  
 UNDER CONTRACT WITH NATIONAL SCIENCE FOUNDATION

150 INCH STELLAR TELESCOPE REF. FILE 1188

NAME: OUTER MTG. BRKT. SUPPORT STAND SCALE HALF  
 R.A. AXIS LIMIT SWITCH ASSY PRINT ISSUED

DESIGNED BY DATE APPROVED BY DATE  
 J. SHIPLEY 7/10/72

DRAWN BY DATE APPROVED BY DATE  
 J. SHIPLEY 7/10/72

CHECKED BY DATE APPROVED BY DATE  
 F. HENRY 10-6-72

DRAWING NUMBER 2150.400 -D 204 REV.