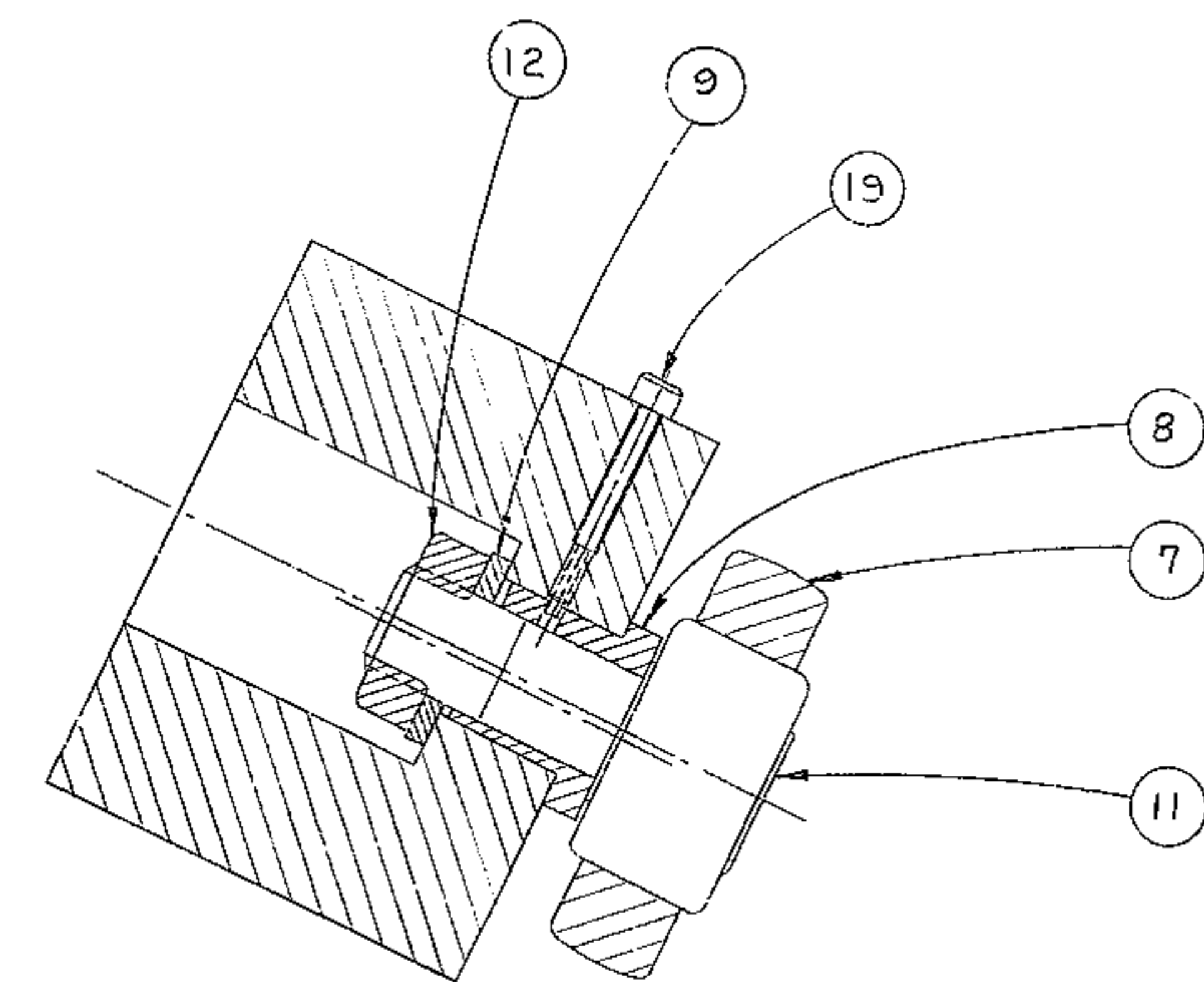
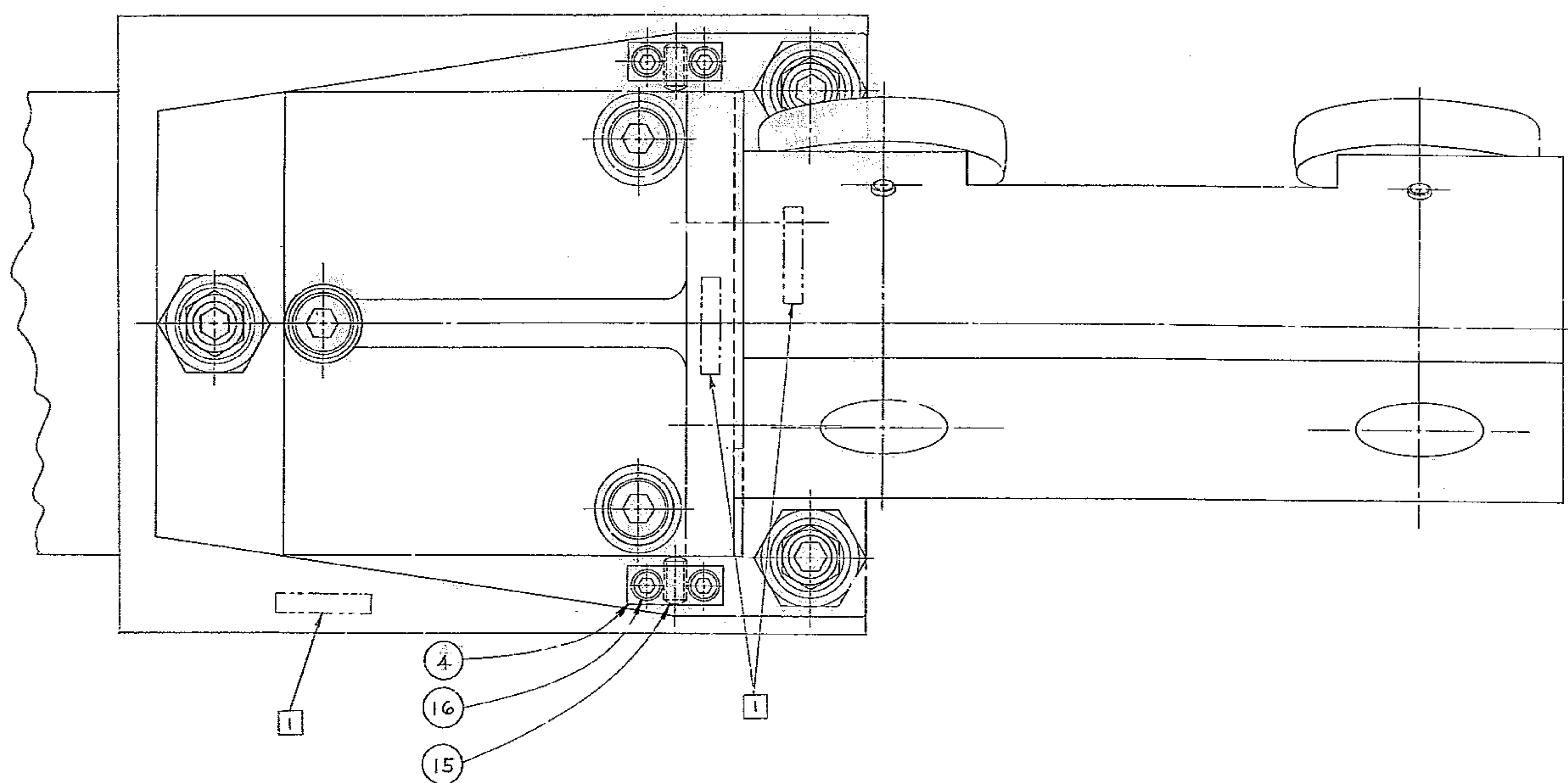
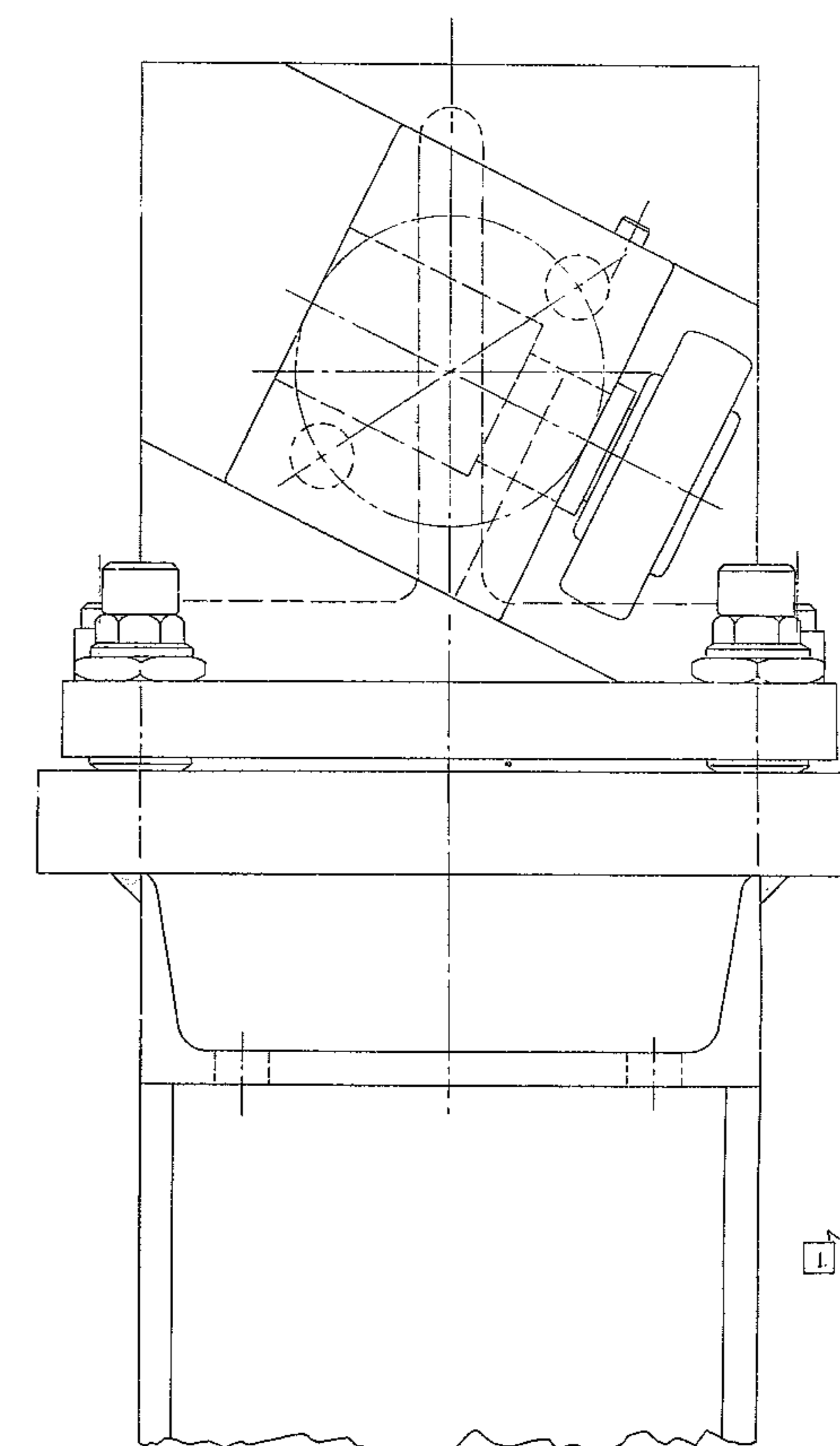
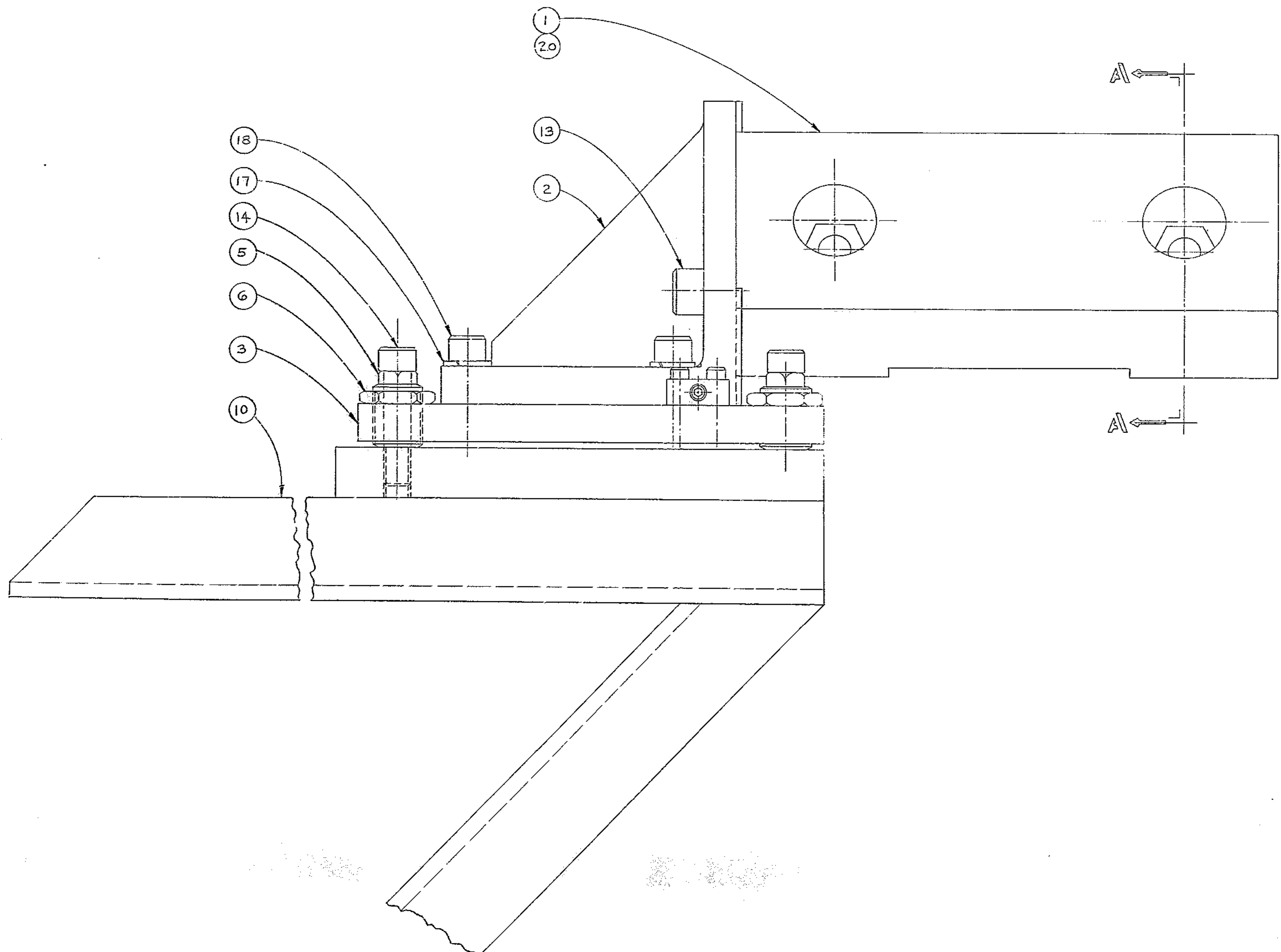


BILL OF MATERIAL

ITEM	QTY	MATERIAL	DESCRIPTION	WEIGHT
------	-----	----------	-------------	--------



SECTION A-A



NOTE:
 1 STEEL STAMP IN 1/4" HIGH
 CHARACTERS "PART NO. 2150.
 360-EA02" (3) PLACES APPROX
 AS SHOWN.

FOR BILL OF MAT'L, SEE 2150.360-A402
 FOR ASSEMBLY SEE 2120-E.144

TOLERANCES UNLESS OTHERWISE NOTED DECIMAL DIMENSIONS 0.001 & 0.015 0.0005 & 0.003		KITT PEAK NATIONAL OBSERVATORY OPERATED BY THE ASSOCIATION OF UNIVERSITIES FOR RESEARCH IN ASTRONOMY, INC. UNDER CONTRACT WITH NATIONAL SCIENCE FOUNDATION	
FRACTIONAL DIMENSIONS 1/8" TO 1" ± 1/64 1" TO 2" ± 1/32 2" & OVER ± 1/16		150 INCH STELLAR TELESCOPE REF. FILE 1187	
BREAK SHARP EDGES.		NAME WEST R.A. - SCALE FULL	
ALL SURFACES TO HAVE 1/2" FINISH UNLESS OTHERWISE NOTED.		BULL GEAR SUPPORT ROLLER ASSY PRINT ISSUED	
DESIGNED BY 12-2-70	CHECKED BY 12-2-70	DRAWING NUMBER 2150.360-E402	REV.
DRAWN BY 12-2-70	APPROVED BY 12-2-70		
CHECKED BY 12-2-70	DATE 12-2-70		
LET.	REVISION	ECR	DATE BY