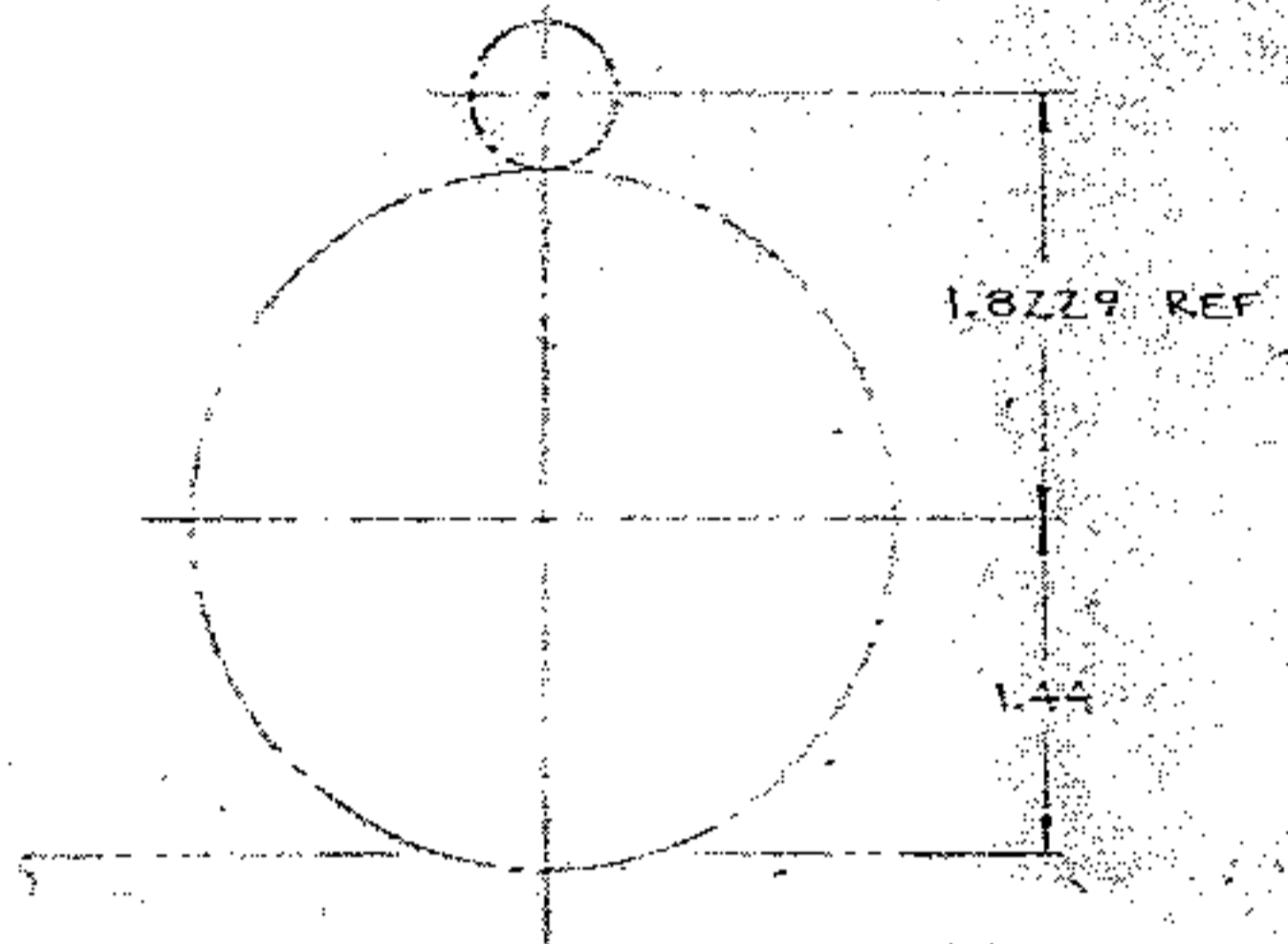
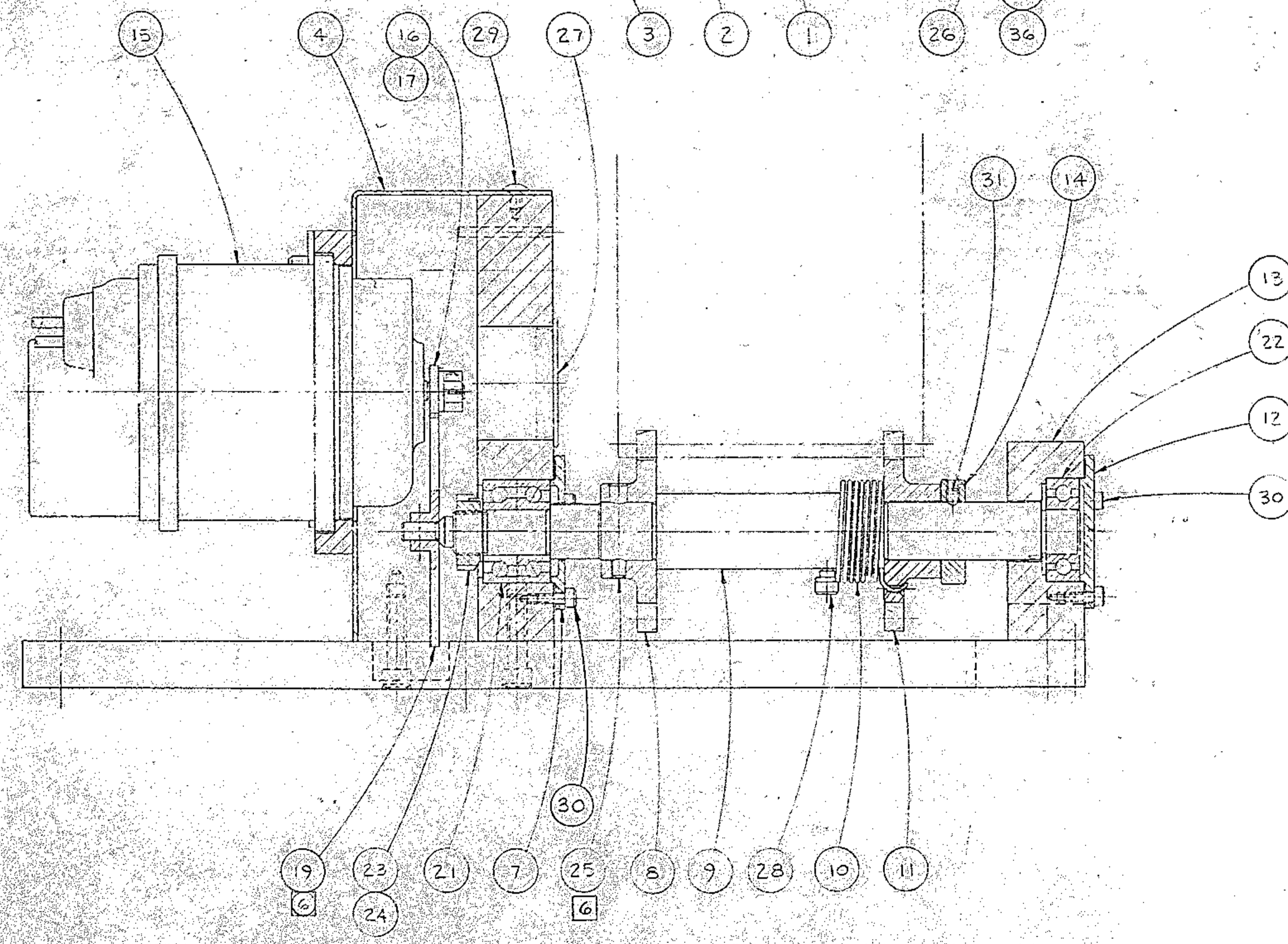
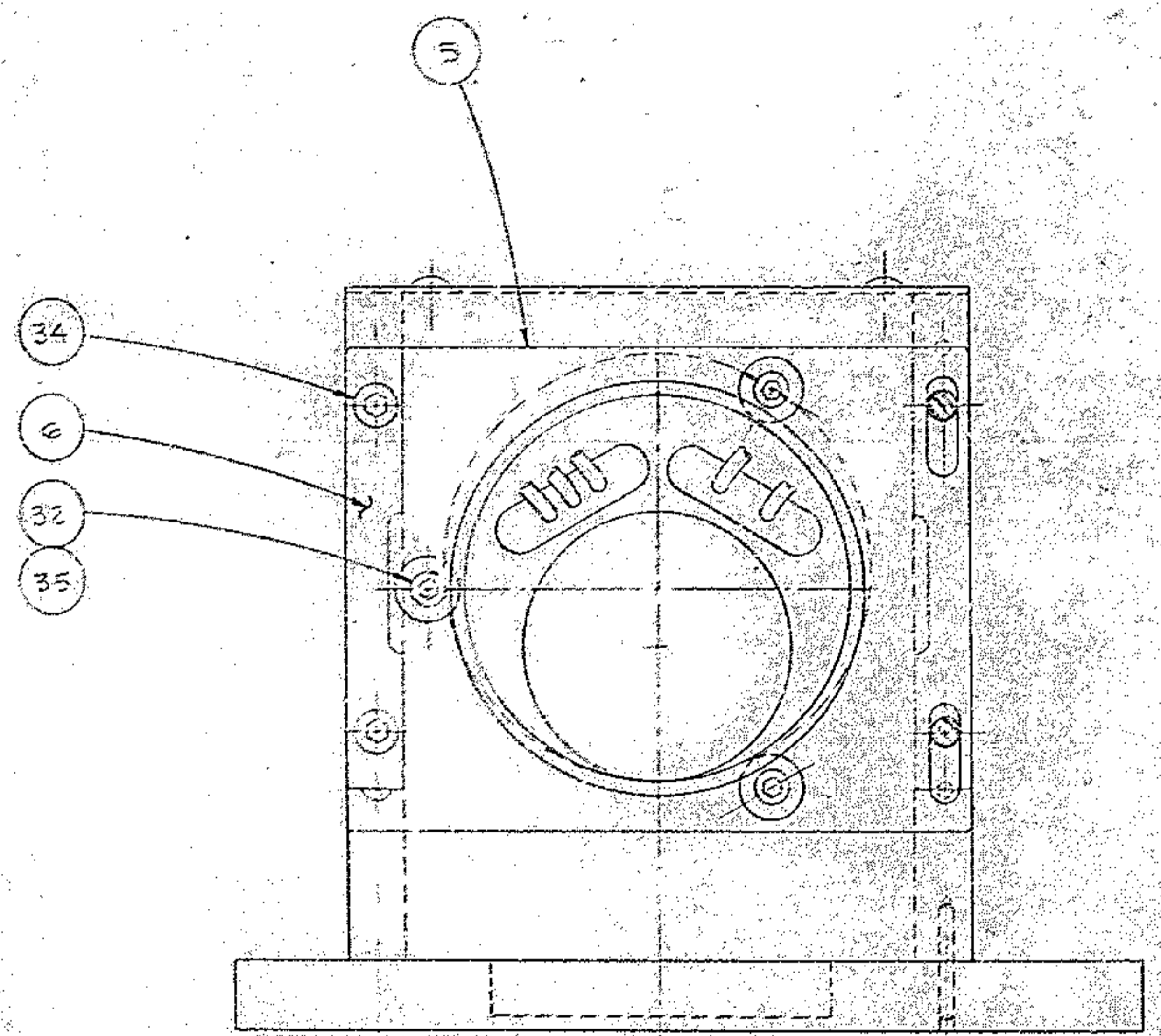
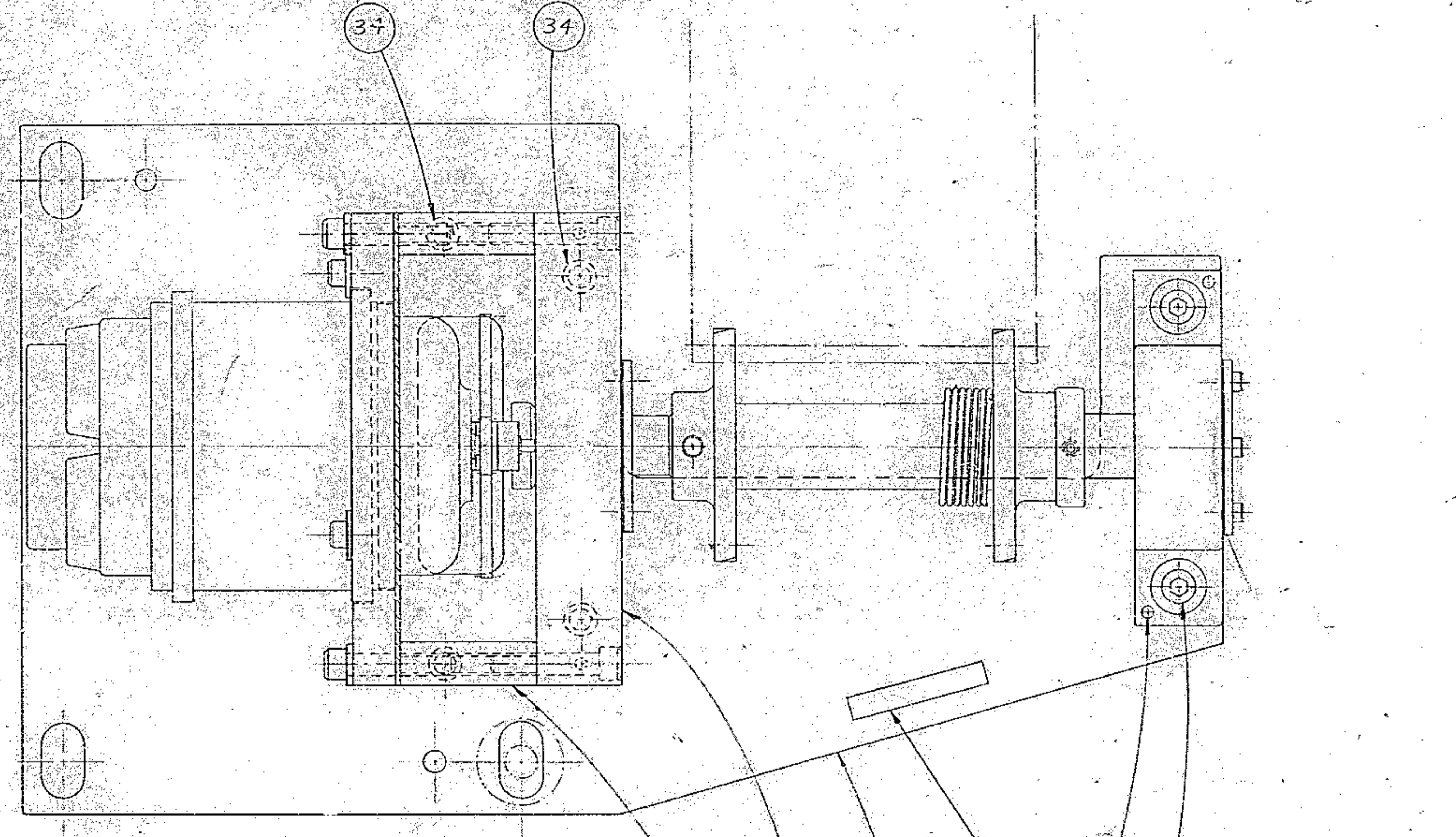


GEAR CONFIGURATION FOR 2150.345 E202
DEC AXIS SYNCHRO TRANSMITTER ASSY



GEAR CONFIGURATION FOR 2150.345 E102
R.A. AXIS (R.A.) SYNCHRO TRANSMITTER ASSY SHOWN



BILL OF MATERIAL				
QTY	ITEM	PART No.	DESCRIPTION	WEIGHT
1	1	2150.345-D103	BASE PLATE	
1	2	2150.345-C104	THRUST BEARING MOUNT	
2	3	2150.345-B105	SPACER PLATE	
1	4	2150.345-C106	GEAR COVER	
1	5	2150.345-B107	SYNCHRO MOUNTING PLATE	
2	6	2150.345-A108	WASHER PLATE	
1	7	2150.345-B109	THRUST BEARING RETAINER	
1	8	2150.345-B110	DRIVE GEAR	
1	9	2150.345-C111	DRIVE SHAFT	
1	10	2150.345-B112	PRELOAD SPRING	
1	11	2150.345-B113	PRELOAD GEAR	
1	12	2150.345-B114	BEARING RETAINER PLATE	
1	13	2150.345-B115	BEARING BLOCK	
1	14	2150.345-A116	SHAFT COLLAR	
1	15		SYNCHRO TRANSMITTER - GENERAL ELECT MARK I, MOD 2A, TYPE 3G, 115/70V, 60CY	
1	16		SPUR GEAR - 48 DP, 20° PA, 31 TEETH, 2498 BORE 303 SS, PREC CH II CAT. NO. 21-32	
1	17		CLAMP - DYNAMIC GEAR CO. INC CAT. NO. BC 312	
1	19		SPUR GEAR - 48 DP, 20° PA, 180 TEETH, 2498 BORE 303 SS, PREC CH, PIC CAT. NO. G3-182-G1A	
2	21		BALL BEARING - SUPER PRECISION ANGULAR CONTACT SKF CAT. NO. 7202C/C78G	
1	22		BALL BEARING - SUPER PRECISION SINGLE ROW, DEEP GROOVE, SKF CAT. NO. 6202/C78	
1	23		NOZ LOCKNUT LOCKNUT AFBMA STD	
1	24		NOZ LOCKNUT WASHER AFBMA STD	
1	25		No. 4 X 1/4 TAPER PIN	
6	26		1/8 DIA X 1 DOWEL PIN	
1	27		HOLE PLUG 1/2 DIA - STIMPSON CAT. NO. D3828	
1	28		3/16 DIA X 1/2 SOC HD SHOULDER SCR PIC CAT. NO. 4415	
2	29		1/8-32 X 1/4 BOTTOM HD SOC CAP SCR	
6	30		1/8-32 X 7/8 SOC HD CAP SCR CAD PL	
1	31		1/10-24 X 1/4 SOC HD CUP PT SET SCR	
3	32		1/10-24 X 1/2 SOC HD CAP SCR	
2	33		1/4-20 X 1 SOC HD CAP SCR	
12	34		1/4-20 X 1/4 SOC HD CAP SCR	
3	35		1/10 FLAT WASHER	
2	36		1/4 FLAT WASHER CAD PL	

7 THIS DWG SIMILAR TO 2150.345 E102
 6 LOCATE AT ASSY
 5-BREAK SHARP EDGES
 4-IDENTIFY BY 2150.345-E202 AT LOCATION 4, "AURA INC. MADE IN U.S.A."
 3-STAMP MATCH MARKS ON ALL MATING PARTS WHERE NECESSARY.
 2-PROJECT DRAWINGS
 1-FOR NEXT ASSY, SEE 2150.345 E 102

TOLERANCES UNLESS OTHERWISE NOTED		OPERATED BY THE ASSOCIATION OF UNIVERSITIES FOR RESEARCH IN ASTRONOMY, INC.	
DECIMAL DIMENSIONS 0.0005 & 0.001	FRACTIONAL DIMENSIONS 1/16" TO 1/8" ± 1/64" 1/8" TO 3/4" ± 1/32" 3/4" & OVER ± 1/16"	NATIONAL SCIENCE FOUNDATION	
ANGLES ± 0° - 90°		150 INCH TELESCOPE	
ALL SURFACES TO HAVE 125 FINISH UNLESS OTHERWISE NOTED.		NAME DECLINATION SYNCHRO TRANSMITTER ASSEMBLY	
DESIGNED BY DATE	APPROVED BY DATE	DRAWING NUMBER 2150.345-E202	REV. 1186
SCALE FULL	PRINT ISSUED		

REV.	REVISION	ECR	DATE	BY